

# CR.CWCF.D.GSB.4

# Refrigerated Well Counter Line

Drop-in


**Product Information:**

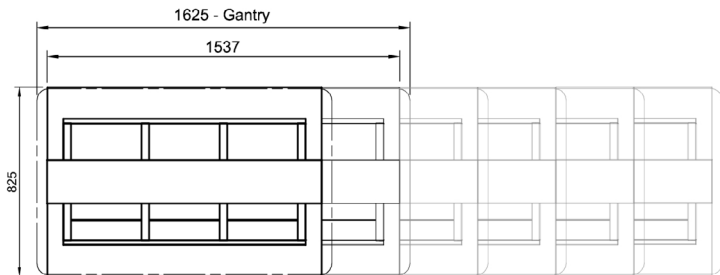
- This display is designed to be installed into a cut out in a new or existing bench top which allows for simple, inexpensive installation
- Adjustable digital temperature controller allows food to be held between +2°C to +4°C in a maximum of 32°C ambient temperature
- The blown air design passes cold air over and under the food pans creating an even cooling effect
- Fitted with a stainless steel gantry support frame and light surround
- 10mm toughened flat glass gantry fitted with high impact, low energy L.E.D. lighting
- Undermount refrigeration unit supplied with condensate drain hose for connection to waste
- Fully insulated and constructed from 304 grade stainless steel with a No.4 finish
- Suits gastronorm pans up to 100mm deep (sold separately)

**Product Code:**

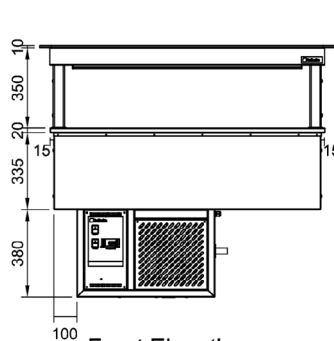
CR	= Culinaire Refrigerated
CWCF	= Cold Well - Counter Line - Fan Forced
D	= Drop-in
GSB	= Flat Glass Gantry - Black Painted Centre Section - Adhesive Fixed
4	= 4 Modules

**Technical Data:**

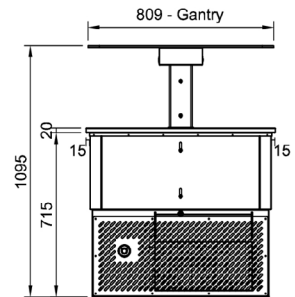
Dimensions: W x D x H:	1537 x 825 x 1095
Cutout Dimensions:	1520 x 805
Total Connected Load:	0.82W
Electrical Connection:	10A plug & lead fitted



Plan View



Front Elevation



End Elevation


 Proudly Manufactured  
in Australia

Due to continuous product research and development, the information contained herein is subject to change without notice

**Manufactured By:**

Tom Stoddart Pty Ltd. ABN 16 009690251  
39 Forest Way, Karawatha 4117 Queensland Australia  
Tel : +61 7 3440 7600 Fax : +61 7 33441000  
Web site: www.stoddart.com.au