



Culinaire

INDUSTRY  
KITCHENS

www.industrykitchens.com.au 1800 611 058

Technical Data Sheet

# CH.BM.D.GDB.3

## Bain Marie Heated

Drop-in with Double Gantry & Heat Lamps



### Product Information:

- Unit comes complete with **CH.BM.U** bain marie plus drop-in bench top and double overhead heated gantry fully fitted and wired. Gantry is welded to bench top
- Adjustable digital temperature controller allows food to be held between +65°C to +90°C (food must be heated above 65°C before being placed in the bain marie)
- Wet or dry operation (temperature varies greatly when run dry, should not be left unattended for long periods of time)
- Suits gastronorm pans up to 150mm deep (sold separately)
- This display is designed to be installed into a cut out in a new or existing bench top which allows for simple, inexpensive installation
- Gantry constructed from 304 grade stainless steel with a No.4 finish
- 2 tier overhead gantry comes in either single heated (GDB - heat lamps to bottom level) or double heated (GDD - heat lamps to top and bottom levels)
- Overhead Quartz IR heat lamps provide heat and illumination to the product below
- Individual On/Off switches to operate bain marie and overhead gantry heat lamps
- Overhead heat lamps are fully adjustable via a solid-state voltage controller for accurate temperature selection

### Product Code:

- CH = Culinaire Heated
- BM = Bain Marie
- D = Drop-in
- GDB = Double Shelf Gantry - Bottom Tier Heated
- 3 = 3 Modules

### Optional Extras:

#### Radius Well

- Add **R** to code after the .D
- (If Required, must be nominated at time of order)

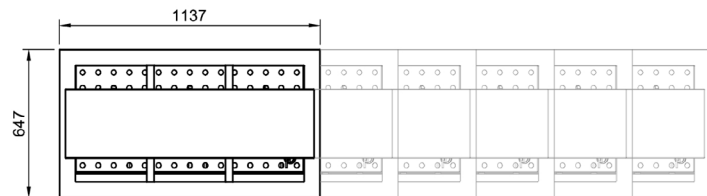
### Accessories:

#### Cross Pan Dividers

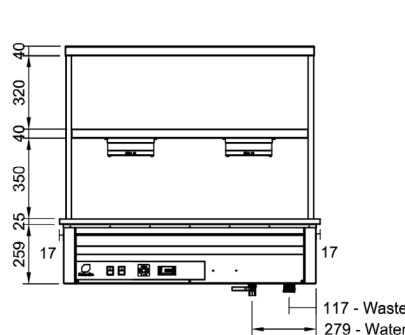
- To suit smaller GN pans
- CA.PXS**

### Technical Data:

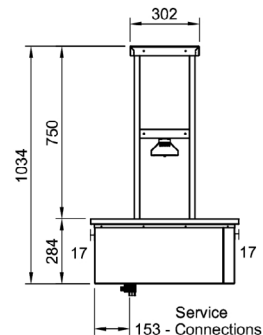
- Dimensions: W x D x H: 1137 x 647 x 1034
- Cutout Dimensions: 1115 x 625
- Total Connected Load: 2.85kW
- Electrical Connection: 240V 1Ø + N + E
- Water Connection: 15mm
- Waste Connection: 50mm



Plan View



Front Elevation



End Elevation



Proudly Manufactured in Australia

Due to continuous product research and development, the information contained herein is subject to change without notice

### Manufactured By:

Tom Stoddart Pty Ltd. ABN 16 009690251  
 39 Forest Way, Karawatha 4117 Queensland Australia  
 Tel : +61 7 3440 7600 Fax : +61 7 33441000  
 Web site: www.stoddart.com.au

