



# AARHP.36.5 BOILING TOPS



Model shown with optional equipment stand

**TECHNICAL DATA:**

**Dimensions (W x D x H):** 914 x 828 x 437 (1137)\*  
**Total Weight:** 95 Kg  
**Burners:** 5 x 26MJ/Hr burners

GAS DETAILS	Natural Gas (NG)	Universal LP Gas (ULPG)
Minimum Supply Pressure	1.13 kPa	2.75 kPa
Operating Pressure	1.0 kPa	2.49 kPa
Total Gas Supply	130MJ/Hr	130MJ/Hr

3/4" BSP connection

\*Height on optional stand

**NOTE:** It is the responsibility of the installing gas plumber to ensure correct supply and connection sustaining appropriate pressure when all appliances are full on.

PROJECT \_\_\_\_\_  
 ITEM \_\_\_\_\_  
 QUANTITY \_\_\_\_\_  
 DATE \_\_\_\_\_

The Boiling Top Series is designed for heavy duty use and performance. All the latest technology is incorporated to provide the best value for money.

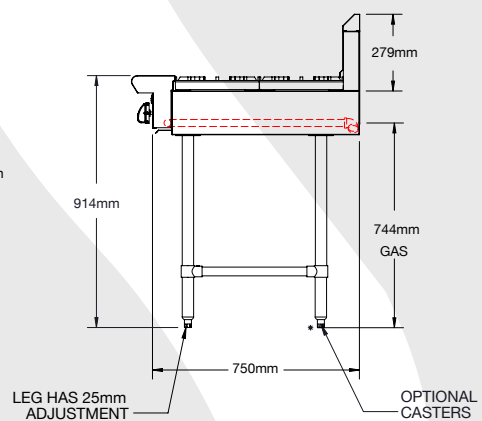
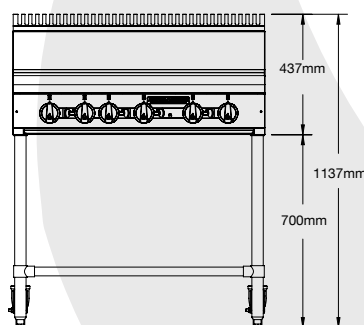
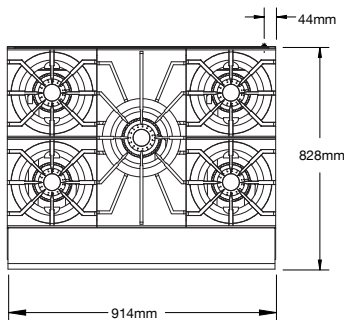
Quality, dependability and customer satisfaction make American Range the ultimate choice.

**FEATURES & BENEFITS:**

- 303mm open burners
- Cast iron trivet is reversible to accept flat pans or woks
- Stainless steel front and sides
- Compact design for countertop use or with an optional stand
- Two piece, lift-off easy clean open burners
- Removable full width drip pan under open burners
- Open burner – Manually lit, No pilot, with flame failure. Simple - low maintenance

**OPTIONAL EXTRAS:**

- 102mm adjustable legs
- Equipment stand
- Castor kit



Due to continuous product research and development, the information contained herein is subject to change without notice.  
 Revision: 15/8/2019