



AAR.4B
24" OVEN RANGE



PROJECT	_____
ITEM	_____
QUANTITY	_____
DATE	_____

The 24" Oven Range Series is designed for heavy duty use and performance. All the latest technology is incorporated to provide the best value for money.

Quality, dependability and customer satisfaction make American Range the ultimate choice.

FEATURES & BENEFITS:

- 303mm open burners over integrated static oven
- Cast iron trivet is reversible to accept flat pans or woks
- All stainless steel front, sides, rear flue
- Heavy gauge welded frame construction with heavy duty stainless steel landing ledge
- Chrome plated steel legs
- Removable stainless steel door for easy cleaning
- Oven thermostat controls temperature from 70°C - 260°C
- Two chrome plated oven racks in enamelled oven bottom, sides, back and door liner
- Two piece, lift-off easy clean open burners
- Removable full width drip pan under open burners
- Open burner design – Manually lit, No pilot, with flame failure. Simple - low maintenance
- Oven burner – Piezo ignition with pilot

TECHNICAL DATA:

Dimensions (W x D x H):	609 x 828 x 1137
Total Weight:	143 Kg
Burners:	4 x 26MJ/Hr burners
Oven:	25MJ/Hr 508 x 572 x 337mm cavity

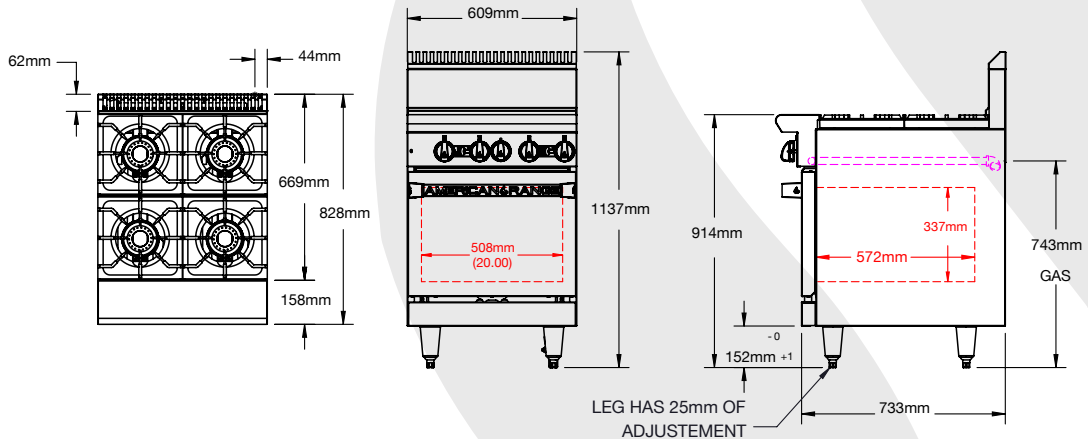
GAS DETAILS	Natural Gas (NG)	Universal LP Gas (ULPG)
Minimum Supply Pressure	1.13 kPa	2.75 kPa
Operating Pressure	1.0 kPa	2.49 kPa
Total Gas Supply	129MJ/Hr	128MJ/Hr

3/4" BSP connection

OPTIONAL EXTRAS:

- Castor kits
- Additional chrome oven rack

NOTE: It is the responsibility of the installing gas plumber to ensure correct supply and connection sustaining appropriate pressure when all appliances are full on.



Due to continuous product research and development, the information contained herein is subject to change without notice.
Revision: 15/8/2019

www.stoddart.com.au
www.stoddart.co.nz

**INDUSTRY
KITCHENS**

www.industrykitchens.com.au 1800 611 058

