

HYDROTAP G5 BCS100 CLASSIC PLUS CHROME



BOILING



CHILLED



SPARKLING

FILTERED

Order Code H55763Z00AU

Zip HydroTap Classic Plus Boiling, Chilled, Sparkling, Filtered water tap features simple, intuitive controls including continuous flow to fill bottles, Boiling water safety lock, and antimicrobial protection impregnated within the new Classic Plus touch-pad for enhanced hygiene. The water system features a single under bench command centre including full colour interactive touch screen display with pin code protection and customisable settings including 2 boiling water safety modes, 3 energy saving modes including ON/OFF timers and sensor activated 'sleep when it's dark', 'Quiet' mode with automated intelligent fan speed adjustment, antimicrobial protection impregnated into key water paths for enhanced hygiene, 100% water efficient air cooled technology, 0.2 micron water filtration, and a refillable CO2 cylinder. Easy to install integrated ventilation tray included.



Manufacturing Code	H55763Z00AU
--------------------	-------------

Capacity	Commercial
----------	------------

Number of people	61-100
------------------	--------

Boiling Cups per hour	240
-----------------------	-----

Combined Chilled and Sparkling Cups per hour	175
--	-----

Tap	Zip HydroTap CLASSIC PLUS Tap (Chrome)
Water Pressure	Min 250kPa - Max 700kPa
Water Connection	1/2" BSP (G1/2)
Water Supply Requirements	Cold
Water Valves	Integrated 500kPa Pressure limiting valve and Dual Check Valve
Power Rating	2.15kW 220-240V 50Hz
Booster Power Rating	Zip HydroTap Booster 2.2kW 220-240V 50/60Hz
Power Supply	2 x 10 Amp socket outlets
Dimensions	W395mm x D487mm x H333mm
Product Approvals	WaterMark, RCM, ARC
Warranty	5 years (appliance warranty 36 months plus additional 24 months tank warranty)

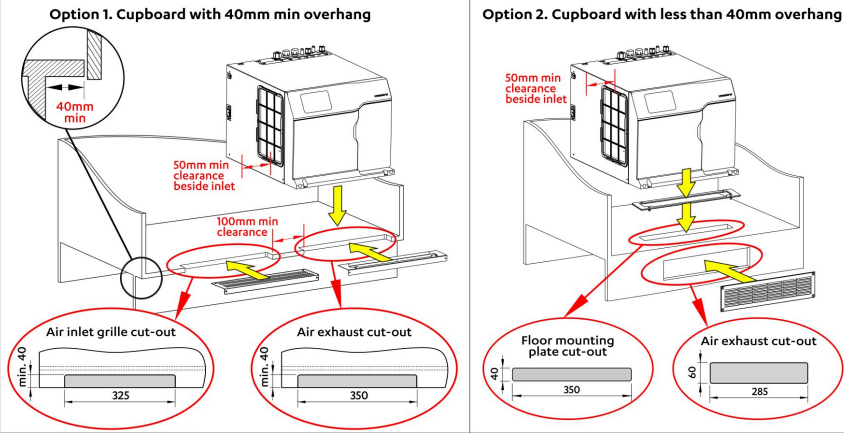
Installation Requirements

1. Installation and connection of your Zip HydroTap must be carried out by a qualified person, observing national and local regulations.
2. You will require suitable mains electrical and drinking water connections, plus waste water drainage all within 1.5 metres of the product.
3. **Discrete cabinetry cut outs are required for airflow. 40mm minimum clearance on cupboard base overhang required otherwise alternative installation options are available.**
4. Installation on most bench tops is straightforward however some stone bench tops may require a specialised cutting service.
5. If you live in a hard water area, we recommend installation of a Zip scale filtration kit.
6. Installation by Zip Professional Service can be arranged with a phone call or through www.zipwater.com/book-service-visit

Installation Detail

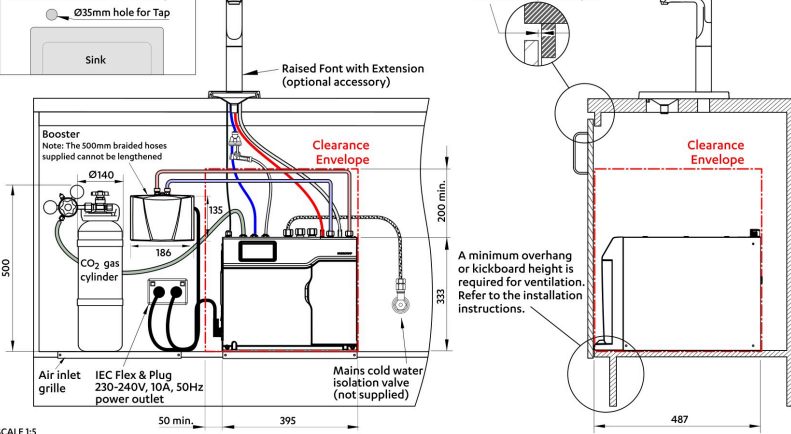
Ventilation requirements

Contact your local service provider if ventilation is not suitable

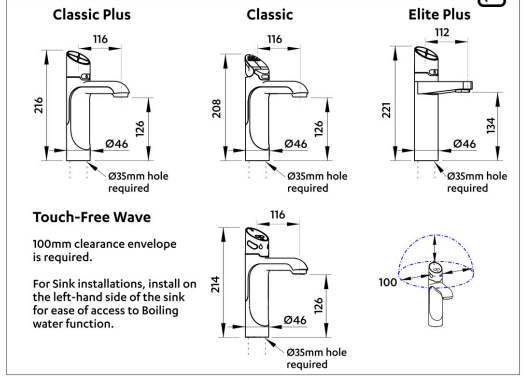


Tap Positioning

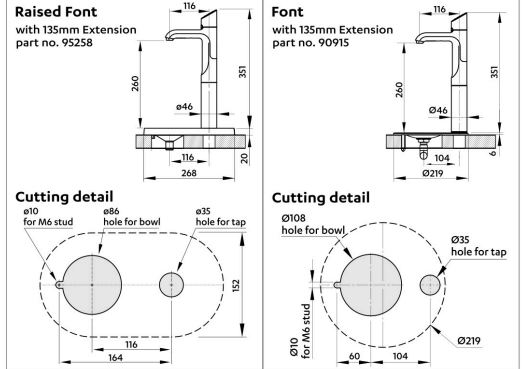
Position the Tap to dispense into the sink. Alternatively, mount on a Font, available as an accessory.



HydroTap Tap options



Font options



HydroTap G5 BCS100

shown with Classic Plus tap
and Raised Font (optional accessory)

SCALE 1:5
ALL DIMENSIONS IN MM UNLESS OTHERWISE SPECIFIED. INSTALLATION DIAGRAMS ARE FOR ILLUSTRATIVE PURPOSES ONLY. HOSES ARE NOT SHOWN TO SCALE AND CANNOT BE LENGTHENED.