

# INDUSTRY KITCHENS

www.industrykitchens.com.au 1800 611 058



## CHILLTAP CHILLED, SPARKLING

Order Code CT1003-1

Zip ChillTap® Sparkling Under-bench instant chilled still and sparkling filtered drinking water appliance .

Manufacturing Code 30116

Capacity Residential



<b>Tap</b>	Ceramic disk operated "goose neck" Carafe (2 x handles)
<b>Water Pressure</b>	Min 250kPa - Max 700kPa
<b>Water Connection</b>	12.7mm BSP
<b>Water Valves</b>	Integrated surge protection kit including 350kPa Pressure limiting valve and Dual Check Valve
<b>Power Rating</b>	0.30kW 230-240V 50Hz
<b>Dimensions</b>	H333mm x W280mm x D435mm
<b>Product Approvals</b>	WaterMark, CE, ARC
<b>Warranty</b>	1 year

### Installation Requirements

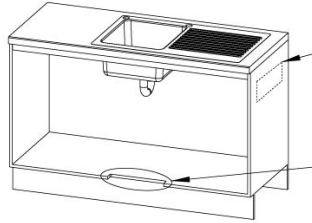
Must be installed by a suitably qualified person in accordance with manufacturers instructions and with all relevant plumbing and electrical regulations.

#### Installation Detail

DKL002 A2 HydroTap G4 G5 v0.02 03.20 CHILLTAP SPARKLING

Position the Tap to dispense into the sink, allowing clearance for a cup or teapot. Alternatively, mount tap on a Zip Font (available as an accessory).

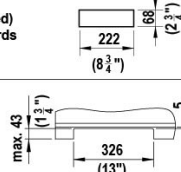
Ø25mm hole for tap: ChillTap Sparkling  
Sink shown only



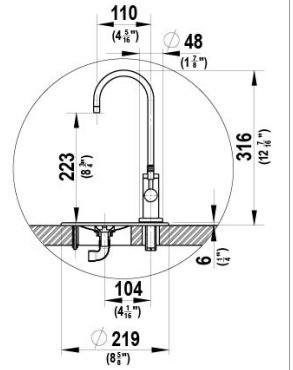
**Ventilation Detail**

Air outlet louvre (if required)  
Cut-out in door/wall, towards the top of the cabinet

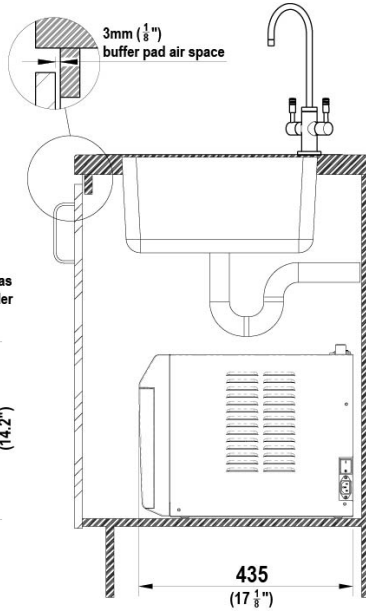
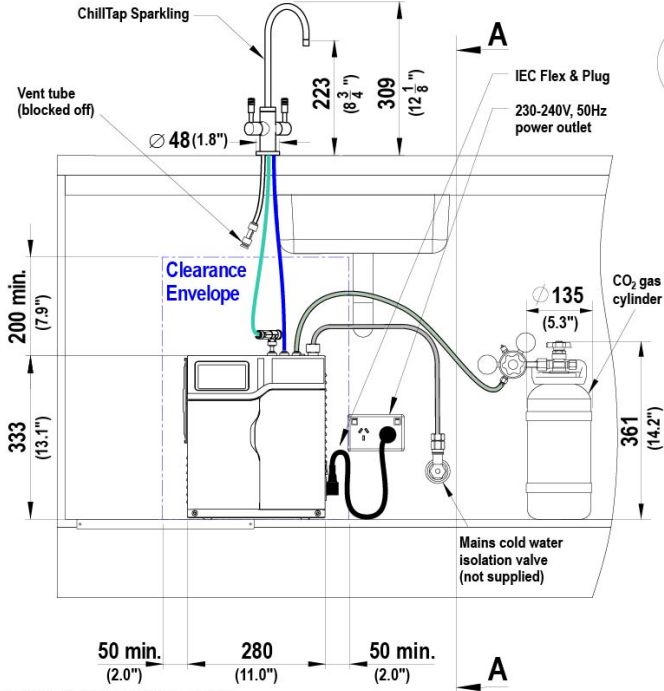
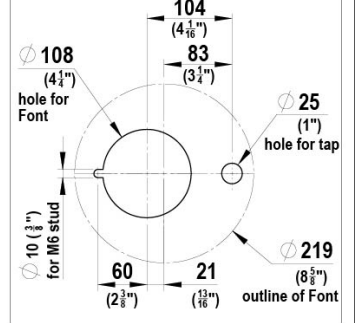
Air inlet grille (required)  
Cut-out in cabinet floor



**ChillTap Sparkling Tap & Font**



**Cutting Detail**



**ChillTap Sparkling**

ALL DIMENSIONS IN MM UNLESS OTHERWISE SPECIFIED