



CUBE MIXER TAP MAINS BRUSHED NICKEL

Order Code 94315

Boasting both exceptional style and practicality, the Zip Cube Mixer Tap is a stunning piece for any kitchen. Featuring a sleek cubed swivel spout with high clearance over the sink, there is plenty of room for washing and rinsing. The comfortably designed pin-handle lever regulates water flow with ease and efficiency. With the choice of 7 contemporary finishes to choose from, the Cube Mixer will be the perfect addition to any kitchen space and will effortlessly compliment your Zip HydroTap.



Manufacturing Code 94315

Tap	Sink Mixer
Water Pressure	Min 150kPa - Max 700kPa.
Water Connection	12.7mmBSP
Water Supply Requirements	Hot & Cold (Mains Only)
Dimensions	H432mm x W106mm x D256mm
Wels Rating	Water Efficiency 5 Stars, Water Consumption 5.5L
Warranty	1 Year (Parts & Labour)

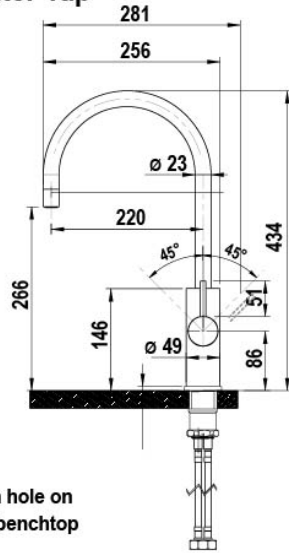
Installation Requirements

Must be installed by a suitably qualified person in accordance with manufacturers instructions and with all relevant plumbing and electrical regulations.

Installation Detail

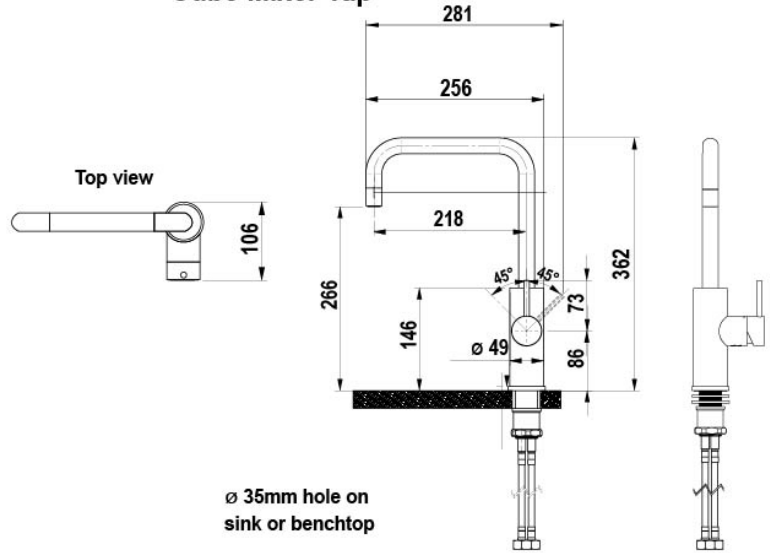
BKL3 A3 Mixer Taps v1.00 07.21

Arc Mixer Tap



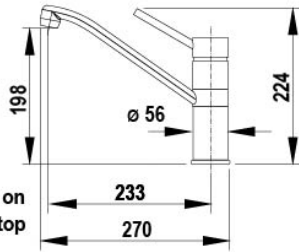
$\varnothing 35$ mm hole on sink or benchtop

Cube Mixer Tap



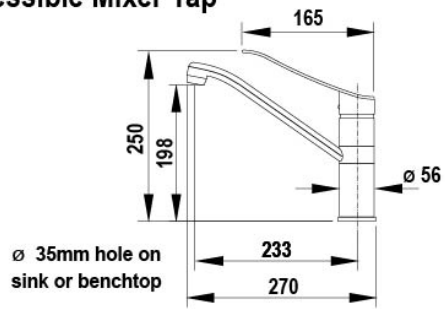
$\varnothing 35$ mm hole on sink or benchtop

Classic Mixer Tap



$\varnothing 35$ mm hole on sink or benchtop

Accessible Mixer Tap



$\varnothing 35$ mm hole on sink or benchtop

ALL DIMENSIONS IN MM UNLESS OTHERWISE SPECIFIED