



# ARC MIXER TAP MAINS GUNMETAL

## Order Code 94302

Showcasing style and function, the Zip Arc Mixer Tap is an exceptional choice for any kitchen. Featuring an elegant arched swivel spout with high clearance over the sink, there is plenty of room for washing and rinsing. The comfortably designed pin-handle lever regulates water flow with ease and efficiency. With the choice of 7 contemporary finishes your Mixer will be a sophisticated addition to your kitchen and perfectly compliment your Zip HydroTap.



---

Manufacturing Code 94302

---

---

<b>Tap</b>	Sink Mixer
<b>Water Pressure</b>	Min 150kPa - Max 700kPa.
<b>Water Connection</b>	12.7mmBSP
<b>Water Supply Requirements</b>	Hot & Cold (Mains Only)
<b>Dimensions</b>	H432mm x W106mm x D256mm
<b>Wels Rating</b>	Water Efficiency 5 Stars, Water Consumption 5.5L
<b>Warranty</b>	1 Year (Parts & Labour)

---

## Installation Requirements

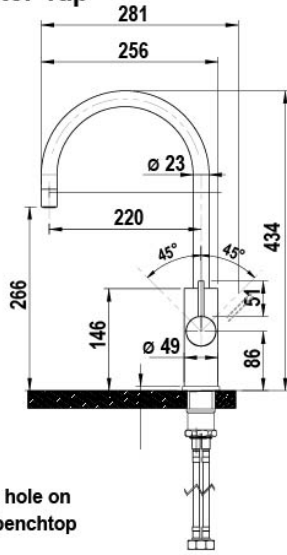
Must be installed by a suitably qualified person in accordance with manufacturers instructions and with all relevant plumbing and electrical regulations.

---

### Installation Detail

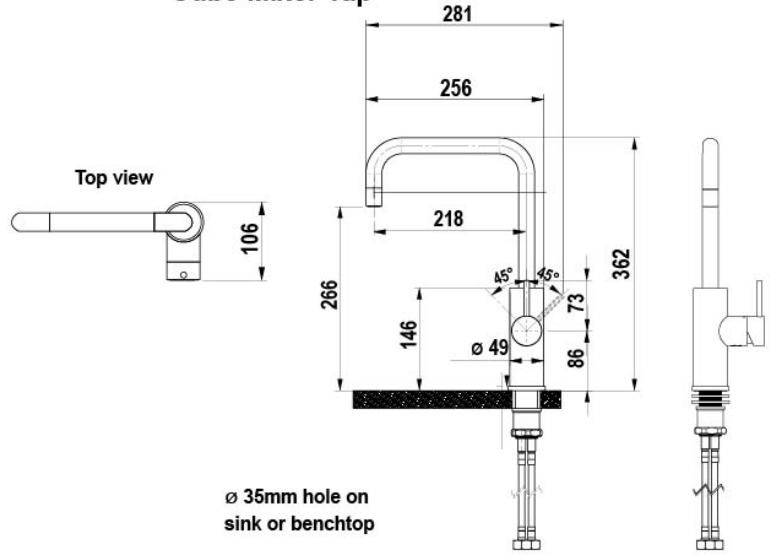
BKL3 A3 Mixer Taps v1.00 07.21

### Arc Mixer Tap



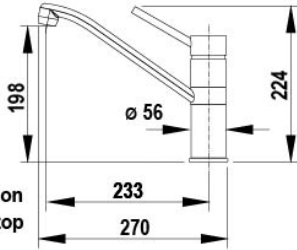
$\varnothing 35$ mm hole on sink or benchtop

### Cube Mixer Tap



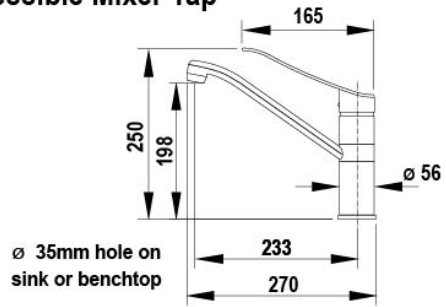
$\varnothing 35$ mm hole on sink or benchtop

### Classic Mixer Tap



$\varnothing 35$ mm hole on sink or benchtop

### Accessible Mixer Tap



$\varnothing 35$ mm hole on sink or benchtop

ALL DIMENSIONS IN MM UNLESS OTHERWISE SPECIFIED