

# CUBE MIXER TAP MAINS GUNMETAL

## Order Code 94303

Boasting both exceptional style and practicality, the Zip Cube Mixer Tap is a stunning piece for any kitchen. Featuring a sleek cubed swivel spout with high clearance over the sink, there is plenty of room for washing and rinsing. The comfortably designed pin-handle lever regulates water flow with ease and efficiency. With the choice of 7 contemporary finishes to choose from, the Cube Mixer will be the perfect addition to any kitchen space and will effortlessly compliment your Zip HydroTap.



---

Manufacturing Code	94303
--------------------	-------

---

---

<b>Tap</b>	Sink Mixer
<b>Water Pressure</b>	Min 150kPa - Max 700kPa.
<b>Water Connection</b>	12.7mmBSP
<b>Water Supply Requirements</b>	Hot & Cold (Mains Only)
<b>Dimensions</b>	H432mm x W106mm x D256mm
<b>Wels Rating</b>	Water Efficiency 5 Stars, Water Consumption 5.5L
<b>Warranty</b>	1 Year (Parts & Labour)

---

## Installation Requirements

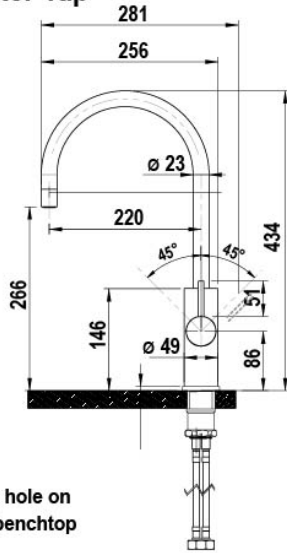
Must be installed by a suitably qualified person in accordance with manufacturers instructions and with all relevant plumbing and electrical regulations.

---

### Installation Detail

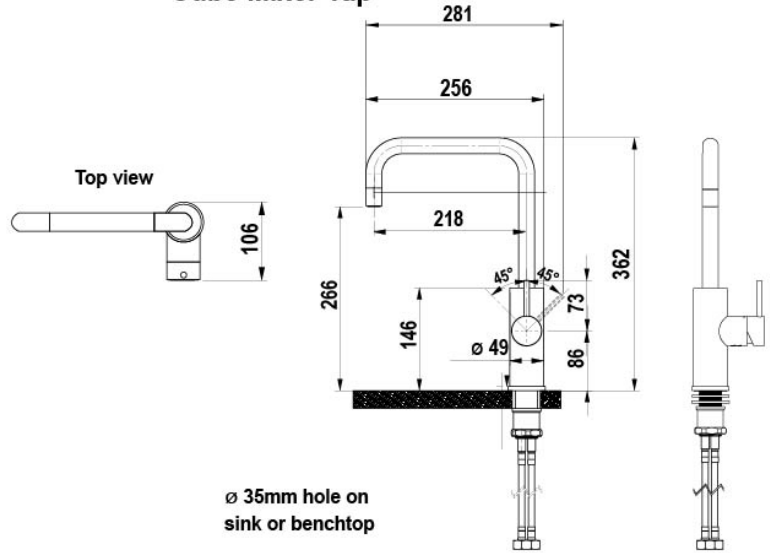
BKL3 A3 Mixer Taps v1.00 07.21

### Arc Mixer Tap



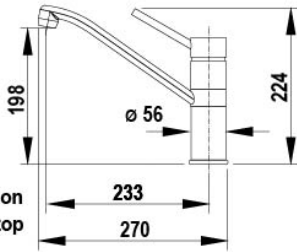
Ø 35mm hole on sink or benchtop

### Cube Mixer Tap



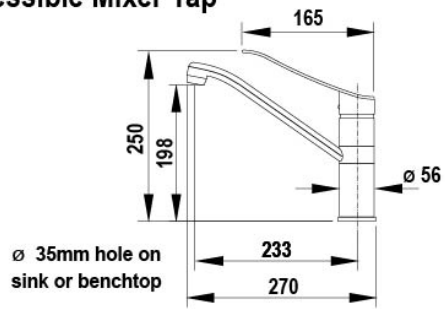
Ø 35mm hole on sink or benchtop

### Classic Mixer Tap



Ø 35mm hole on sink or benchtop

### Accessible Mixer Tap



Ø 35mm hole on sink or benchtop

ALL DIMENSIONS IN MM UNLESS OTHERWISE SPECIFIED