

INDUSTRY
KITCHENS

www.industrykitchens.com.au 1800 611 058



CUBE MIXER TAP MAINS BRUSHED GOLD

Order Code 94291

Boasting both exceptional style and practicality, the Zip Cube Mixer Tap is a stunning piece for any kitchen. Featuring a sleek cubed swivel spout with high clearance over the sink, there is plenty of room for washing and rinsing. The comfortably designed pin-handle lever regulates water flow with ease and efficiency. With the choice of 7 contemporary finishes to choose from, the Cube Mixer will be the perfect addition to any kitchen space and will effortlessly compliment your Zip HydroTap.



Manufacturing Code	94291
--------------------	-------

Tap	Sink Mixer
Water Pressure	Min 150kPa - Max 700kPa.
Water Connection	12.7mmBSP
Water Supply Requirements	Hot & Cold (Mains Only)
Dimensions	H432mm x W106mm x D256mm
Wels Rating	Water Efficiency 5 Stars, Water Consumption 5.5L
Warranty	1 year parts & Labour

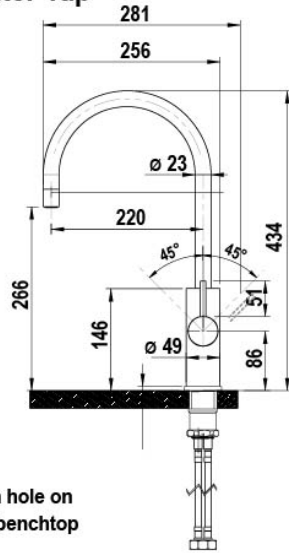
Installation Requirements

Must be installed by a suitably qualified person in accordance with manufacturers instructions and with all relevant plumbing and electrical regulations.

Installation Detail

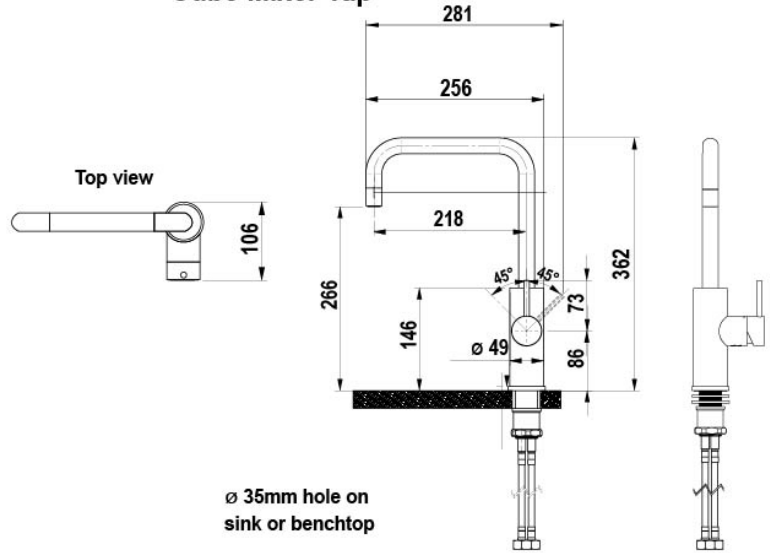
BKL3 A3 Mixer Taps v1.00 07.21

Arc Mixer Tap



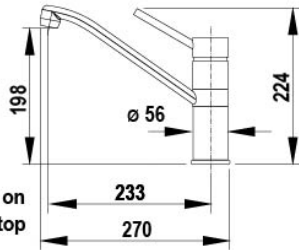
$\varnothing 35$ mm hole on sink or benchtop

Cube Mixer Tap



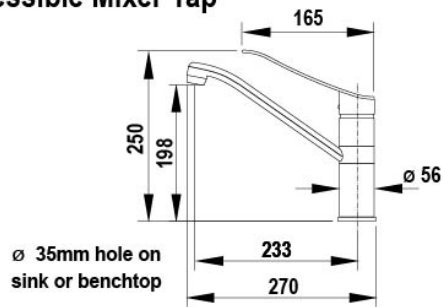
$\varnothing 35$ mm hole on sink or benchtop

Classic Mixer Tap



$\varnothing 35$ mm hole on sink or benchtop

Accessible Mixer Tap



$\varnothing 35$ mm hole on sink or benchtop

ALL DIMENSIONS IN MM UNLESS OTHERWISE SPECIFIED