

**INDUSTRY
KITCHENS**

www.industrykitchens.com.au 1800 611 058



ARC MIXER TAP MAINS BRUSHED CHROME

Order Code 93871

Showcasing style and function, the Zip Arc Mixer Tap is an exceptional choice for any kitchen. Featuring an elegant arched swivel spout with high clearance over the sink, there is plenty of room for washing and rinsing. The comfortably designed pin-handle lever regulates water flow with ease and efficiency. With the choice of 7 contemporary finishes your Mixer will be a sophisticated addition to your kitchen and perfectly compliment your Zip HydroTap.

Manufacturing Code 93871



Tap	Sink Mixer
Water Pressure	Min 150kPa - Max 700kPa.
Water Connection	12.7mmBSP
Water Supply Requirements	Hot & Cold (Mains Only)
Dimensions	H432mm x W106mm x D256mm
Wels Rating	Water Efficiency 5 Stars, Water Consumption 5.5L
Warranty	1 year (Parts & Labour)

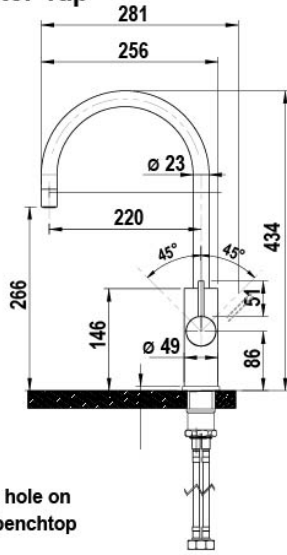
Installation Requirements

Must be installed by a suitably qualified person in accordance with manufacturers instructions and with all relevant plumbing and electrical regulations.

Installation Detail

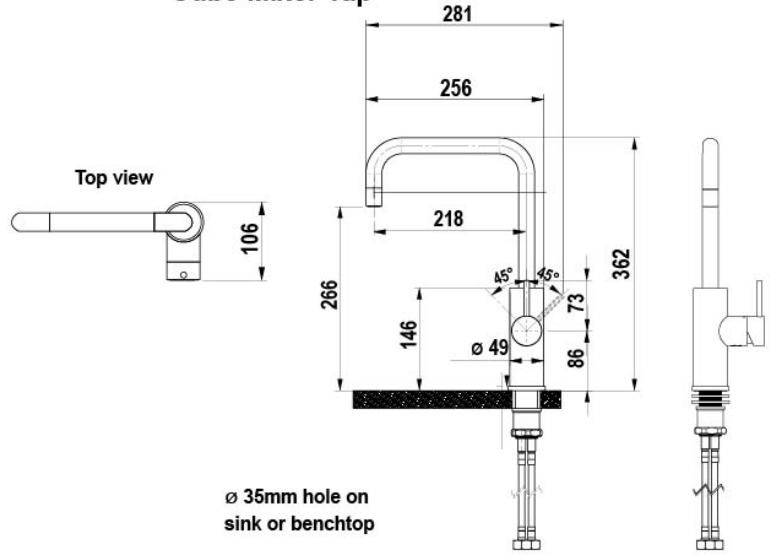
BKL3 A3 Mixer Taps v1.00 07.21

Arc Mixer Tap



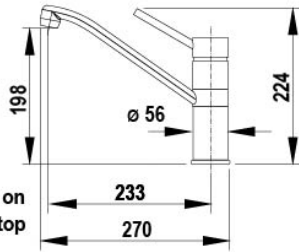
Ø 35mm hole on sink or benchtop

Cube Mixer Tap



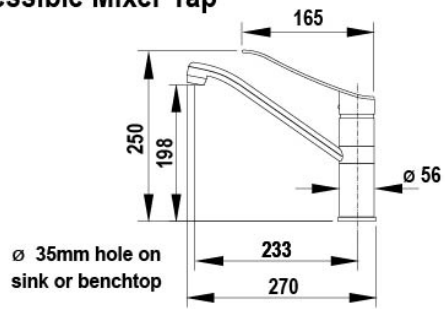
Ø 35mm hole on sink or benchtop

Classic Mixer Tap



Ø 35mm hole on sink or benchtop

Accessible Mixer Tap



Ø 35mm hole on sink or benchtop

ALL DIMENSIONS IN MM UNLESS OTHERWISE SPECIFIED