

# SENSOR TAP WALL MOUNTED 200MM AC

## Order Code 42223

Zip AquaSense™ Touch-free tap range incorporates simple and modern design, with the latest electronic functionality delivering maximum hygiene and efficiency with integrated flow control achieving a 6 Star WELS rating for maximum water savings, the tap also features an automatic purge function, sensor range adjustment, wave on/wave off function, Anti-Vandal and Lock Out functions and a Chlorination function.

- Six-star WELS water rating, cuts water consumption.
- Designed to deliver water at 3.5 litres per minute.
- Nozzle gives an aggressive spray (versus a cascade) for high cleansing capability at a low flow rate.
- Sensor is positioned to prevent accidental activation.
- Design minimises run-on due to reflective surfaces.
- Solenoid latching valve supplied, with connections.
- Power pack (240/6 volt) connects to 10 amp GPO.
- Lithium battery pack option for simpler installation.
- Heavy duty construction to avoid vandal damage.




---

Manufacturing Code 42223

---

<b>Water Pressure</b>	Min 70kPa - Max 700kPa
<b>Water Connection</b>	12.7mm BSP
<b>Power Rating</b>	6V transformer power pack 10amp GPO, 220V - 240V AC
<b>Product Approvals</b>	Watermark, CE
<b>Wels Rating</b>	6 Star
<b>Warranty</b>	1 Year

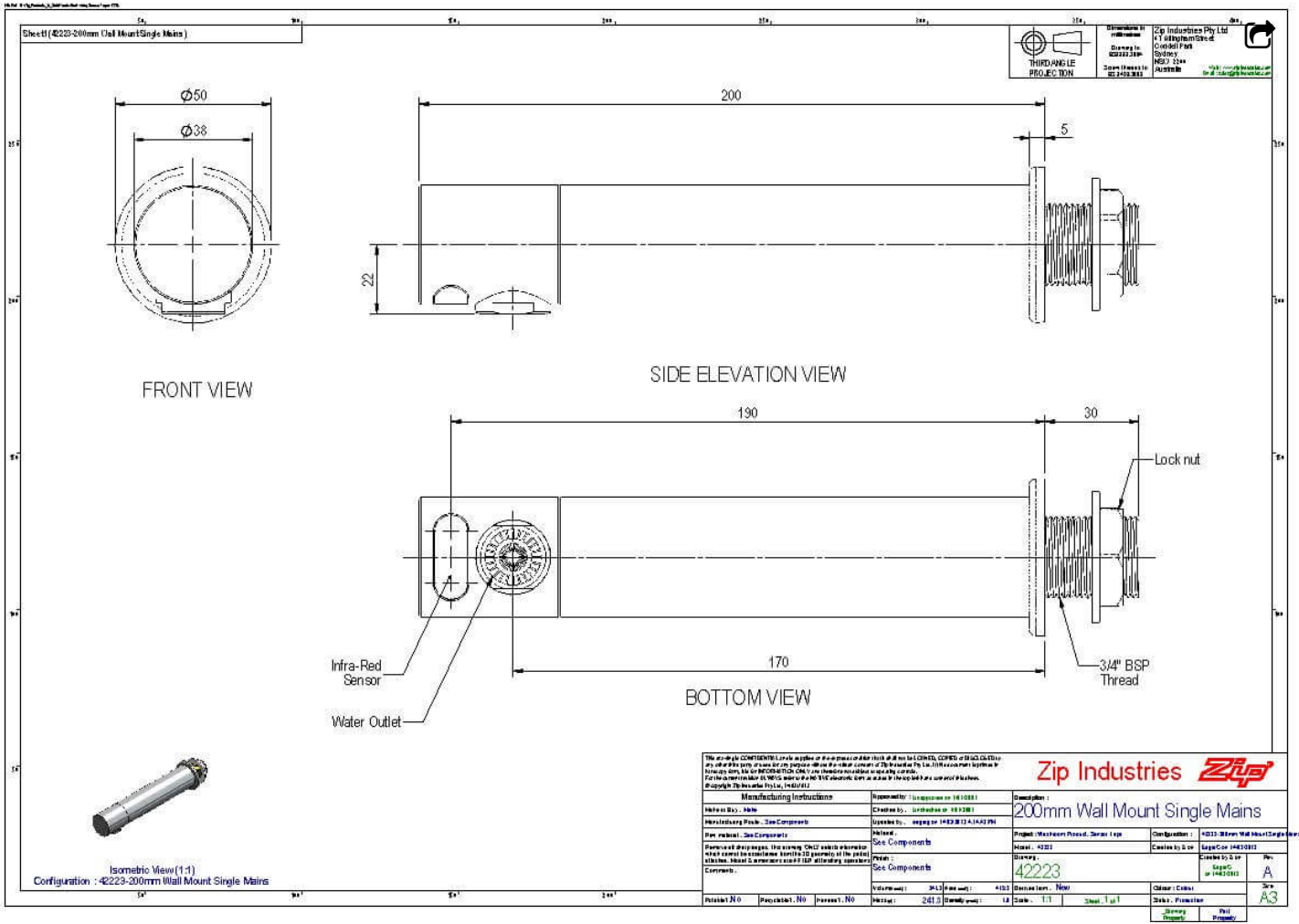
---

## Installation Requirements

Must be installed by a suitably qualified person in accordance with manufacturers instructions and with all relevant plumbing and electrical regulations

---

### Installation Detail



<p><b>Manufacturing Instructions</b></p> <p>Refer to the following documents for manufacturing instructions:</p> <ul style="list-style-type: none"> <li>Manufacturing Instructions: 42223-200mm Wall Mount Single Mains</li> <li>Assembly Drawing: 42223-200mm Wall Mount Single Mains</li> <li>Parts List: 42223-200mm Wall Mount Single Mains</li> </ul>		<p><b>Identification</b></p> <p>Part No.: 42223</p> <p>Part Name: 200mm Wall Mount Single Mains</p> <p>Part Description: Sensor Tap</p>	
<p><b>Material</b></p> <p>Material: 304 Stainless Steel</p>		<p><b>Quantity</b></p> <p>Quantity: 1</p>	
<p><b>Notes</b></p> <p>1. All dimensions are in millimeters unless otherwise specified.</p> <p>2. The sensor tap is to be installed in a wall with a minimum thickness of 100mm.</p>		<p><b>Revision</b></p> <p>Revision: 1.0</p>	
<p><b>Part No.</b></p> <p>Part No.: 42223</p>		<p><b>Part Name</b></p> <p>Part Name: 200mm Wall Mount Single Mains</p>	
<p><b>Part Description</b></p> <p>Part Description: Sensor Tap</p>		<p><b>Part Status</b></p> <p>Part Status: Active</p>	
<p><b>Part Material</b></p> <p>Part Material: 304 Stainless Steel</p>		<p><b>Part Dimensions</b></p> <p>Part Dimensions: 200mm x 50mm x 22mm</p>	
<p><b>Part Weight</b></p> <p>Part Weight: 0.15kg</p>		<p><b>Part Volume</b></p> <p>Part Volume: 150cm<sup>3</sup></p>	
<p><b>Part Lead Time</b></p> <p>Part Lead Time: 2 weeks</p>		<p><b>Part Price</b></p> <p>Part Price: \$15.00</p>	
<p><b>Part Supplier</b></p> <p>Part Supplier: Zip Industries Pty Ltd</p>		<p><b>Part Location</b></p> <p>Part Location: Warehouse</p>	