

**Modular Cooking Range Line
EVO900 Two Wells Gas Fryer
23 liter**

ITEM # _____

MODEL # _____

NAME # _____

SIS # _____

AIA # _____

**392332 (Z9KKGABAMEA)**23+23-lt gas fryer with 2 "V"
shaped wells (external
burners) and 4 half size
baskets - free standing**Short Form Specification****Item No.** _____

High efficiency 40 kW burners in stainless steel. Suitable for natural gas or LPG. Deep drawn V-Shaped wells. Oil drains through a tap into a container positioned under the well. Height adjustable feet in stainless steel. Exterior panels in stainless steel. Worktop in 20/10, stainless steel. Right-angled side edges eliminate gaps and possible dirt traps between units.

Main Features

- Deep drawn V-Shaped wells.
- High efficiency 40 kW burners in stainless steel with flame failure device attached to the outside of the well.
- Thermostatic regulation of oil temperature up to a maximum of 190 °C.
- Flame failure device on each burner.
- Overheat protection thermostat as standard on all units.
- All major compartments located in front of unit for ease of maintenance.
- Piezo spark ignition for added safety.
- Supplied as standard with 4 half size baskets and 1 right and left side doors for cupboard.
- Optional portable oil quality monitoring tool (code 9B8081) for efficient oil management.

Construction

- All exterior panels in Stainless Steel with Scotch Brite finishing.
- Model has right-angled side edges to allow flush fitting joints between units, eliminating gaps and possible dirt traps.
- Interior of well with rounded corners for ease of cleaning.
- Unit is 900mm deep to give a larger working surface area.

APPROVAL: _____

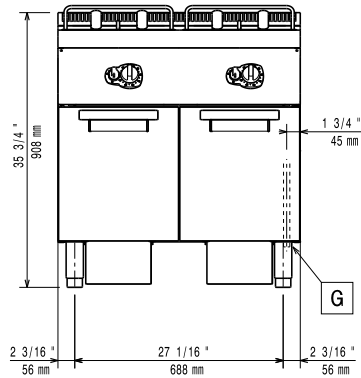
Included Accessories

- 2 of DOOR FOR OPEN BASE CUPBOARD PNC 206350
- 2 of 2 half size baskets for 18/23lt well fryers PNC 927223

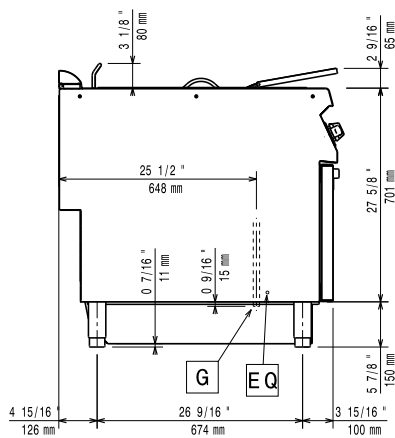
Optional Accessories

- Stainless steel oil filter for 23 litres fryer to remove particles of grease and food residuals) - EVO900 PNC 200086
- Junction sealing kit PNC 206086
- Draught diverter, 150 mm diameter PNC 206132
- Matching ring for flue condenser, 150 mm diameter PNC 206133
- 4 wheels, 2 swivelling with brake (EVO700/900). It is mandatory to install with base supports for feet/wheels. PNC 206135
- Flanged feet kit PNC 206136
- Pair of side kicking strips PNC 206180
- Hygienic lid for 23lt fryers PNC 206201
- Frontal kicking strip for 23lt fryers in two parts PNC 206203
- Extension pipe for oil drainage for 15lt, 18lt, 23lt fryers PNC 206209
- Flue condenser for 1 module, 150 mm diameter PNC 206246
- Chimney upstand, 800 mm PNC 206304
- Base support for feet/wheels (lateral) for 23lt fryers and pastacookers and refrigerated bases (900) PNC 206372
- Chimney grid net, 400mm PNC 206400
- Kit G.25.3 (NI) gas nozzles for 900 fryers PNC 206467
- Sediment collection tray for 23 litres fryer (to be put in the well) - EVO900 PNC 921023
- 2 half size baskets for 18/23lt well fryers PNC 927223
- Pressure regulator for gas units PNC 927225
- 1 full size basket for 18/23lt well fryers PNC 927226
- Unclogging rod for 23lt fryers drainage pipe PNC 927227
- Deflector for floured products for the 23lt fryer PNC 960645

Front

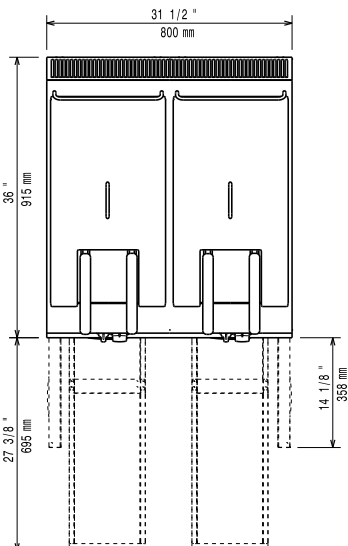


Side



EQ = Equipotential screw
G = Gas connection

Top



Gas

Gas Power:
392332 (Z9KKGABAMEA) 42 kW

Standard gas delivery: Natural Gas G20 (20mbar)

Gas Type Option: LPG; Natural Gas

Gas Inlet: 1/2"

Key Information:

Usable well dimensions (width): 340 mm

Usable well dimensions (height): 575 mm

Usable well dimensions (depth): 400 mm

Well capacity: 21 lt MIN; 23 lt MAX

Performance*: 56.8 kg\hr

Thermostat Range: 120 °C MIN; 190 °C MAX

Net weight: 115 kg

Shipping weight: 126 kg

Shipping height: 1080 mm

Shipping width: 1020 mm

Shipping depth: 860 mm

Shipping volume: 0.95 m³

If appliance is set up or next to or against temperature sensitive furniture or similar, a safety gap of approximately 150 mm should be maintained or some form of heat insulation fitted.

***Based on:** ASTM F1361-Deep fat fryers
Certification group: GF92M23