

**Modular Cooking Range Line  
EVO700 2-Hot Plate Electric  
Infrared Cooking Top Range**

ITEM # \_\_\_\_\_

MODEL # \_\_\_\_\_

NAME # \_\_\_\_\_

SIS # \_\_\_\_\_

AIA # \_\_\_\_\_



372024 (Z7IRED2000)

2-zone (2,2 kW each) infrared cooking top

372133 (Z7IRED200N)

2-zone (2,2 kW each) infrared cooking top

**Short Form Specification****Item No.** \_\_\_\_\_

Ceramic glass top cooking surface 6 mm thick, lying flush to the stainless steel frame for smooth pan movement and easier cleaning. Completely sealed infrared cooking top surface to prevent liquid infiltration. Exterior panels in stainless steel with Scotch Brite finish. One piece pressed work top in 1.5 mm thick stainless steel. Right-angled side edges to allow flush-fitting junction between units.

**Main Features**

- Ceramic glass top cooking surface with 2 infrared heating zones 6 mm thick.
- The circular concentric heating sections measuring 230 mm give uniform heat also to the largest pan.
- The cooking top is sealed to prevent infiltration inside the unit.
- Warning light to indicate residual surface heat.
- Immediate heat transfer from cooking top to pan.
- Low heat dissipation to the kitchen.
- Energy regulation of each zone.
- Heating via ultra high powered heating elements.
- The smooth glass-ceramic surface can be quickly and easily cleaned, thus providing maximum hygiene.
- IPx4 water protection.
- Suitable for countertop installation.

**Construction**

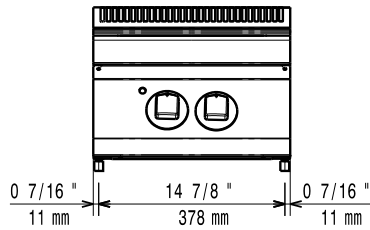
- All exterior panels in Stainless Steel with Scotch Brite finishing.
- One piece pressed 1.5 mm work top in Stainless steel.
- Model has right-angled side edges to allow flush fitting joints between units, eliminating gaps and possible dirt traps.

APPROVAL: \_\_\_\_\_

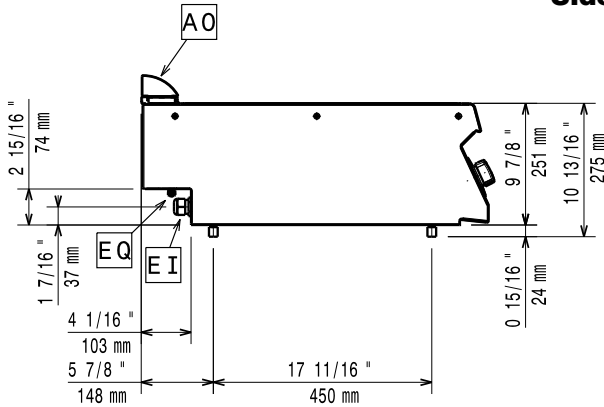
### Optional Accessories

• Junction sealing kit	PNC 206086	<input type="checkbox"/>
• Support for bridge type installation, 800 mm	PNC 206137	<input type="checkbox"/>
• Support for bridge type installation, 1000 mm	PNC 206138	<input type="checkbox"/>
• Support for bridge type installation, 1200 mm	PNC 206139	<input type="checkbox"/>
• Support for bridge type installation, 1400 mm	PNC 206140	<input type="checkbox"/>
• Support for bridge type installation, 1600 mm	PNC 206141	<input type="checkbox"/>
• Support for bridge type installation, 400 mm	PNC 206154	<input type="checkbox"/>
• Frontal handrail 400 mm	PNC 206166	<input type="checkbox"/>
• Frontal handrail 800 mm	PNC 206167	<input type="checkbox"/>
• Large handrail (portioning shelf) 400 mm	PNC 206185	<input type="checkbox"/>
• Large handrail (portioning shelf) 800 mm	PNC 206186	<input type="checkbox"/>
• Frontal handrail 1200 mm	PNC 206191	<input type="checkbox"/>
• Frontal handrail 1600 mm	PNC 206192	<input type="checkbox"/>
• Right and left side handrails	PNC 206240	<input type="checkbox"/>
• Water column extension	PNC 206291	<input type="checkbox"/>
• Chimney upstand, 400 mm	PNC 206303	<input type="checkbox"/>
• 2 side covering panels, height 250 mm, depth 700 mm	PNC 206320	<input type="checkbox"/>
• Chimney grid net, 400mm	PNC 206400	<input type="checkbox"/>

**Front**

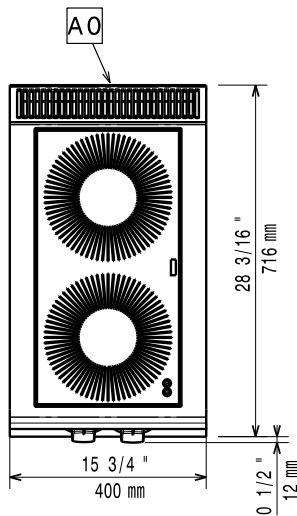


**Side**



**EI** = Electrical inlet (power)  
**EQ** = Equipotential screw

**Top**



**Electric**

**Supply voltage:**

<b>372024 (Z7IRED2000)</b>	380-400 V/3N ph/50/60 Hz
<b>372133 (Z7IRED200N)</b>	230 V/3 ph/50/60 Hz

**Total Watts:**

4.4 kW

**Predisposed for:**

<b>372024 (Z7IRED2000)</b>	380-400V 3N~ 50/60Hz
	3,7-4,4kW

**Key Information:**

**Front Plates Power:** 2.2 - 0 kW

**Back Plates Power:** 2.2 - kW

**Front Plates dimensions:** Ø 230

**Back Plates dimensions:** Ø 230

**Net weight:** 15 kg

**Shipping weight:**

<b>372024 (Z7IRED2000)</b>	25 kg
<b>372133 (Z7IRED200N)</b>	27 kg

**Shipping height:**

<b>372024 (Z7IRED2000)</b>	530 mm
<b>372133 (Z7IRED200N)</b>	540 mm

**Shipping width:**

460 mm

**Shipping depth:**

820 mm

**Shipping volume:**

0.2 m<sup>3</sup>

If appliance is set up or next to or against temperature sensitive furniture or similar, a safety gap of approximately 150 mm should be maintained or some form of heat insulation fitted.

**Certification group:**

<b>372024 (Z7IRED2000)</b>	N7CIE
<b>372133 (Z7IRED200N)</b>	NIR74