

# TAE61SH

BAKERY COMBI / PASTRY DECK COMBINATIONS

INDUSTRY  
KITCHENS  
www.industrykitchens.com.au 1800 611 058

zanolli  
1952 · ITALY

## Main Features

### HOOD

Exhaust Hood with Optional 400 or 600 mc3 Suction capacity.

### BAKING CHAMBER

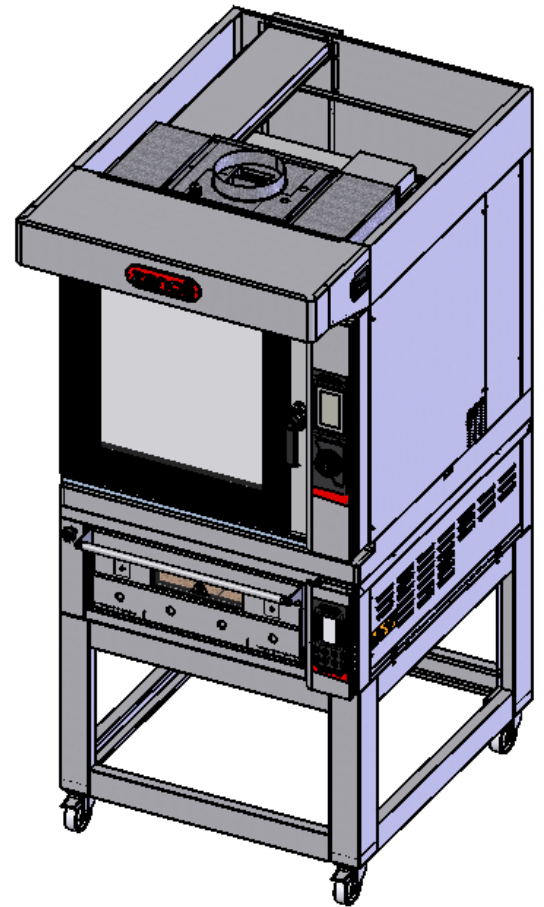
- 6 Trays Capacity (600 x 400)
- Large 80mm Tray Spacing
- Self cleaning
- Weekly Auto Start Up
- 147 Baking Programs
- 2 speed fan regulation
- Bi-directional reversing fan system
- Halogen light
- Convection Cooking
- Combination Cooking
- Steam Cooking
- Probe Cooking
- Touch Panel User Control
- Automatic Preheat
- 6 Cooking Cycles for each Program
- Digital Steam Exhaust Regulation
- Water injection regulation

### DECK OVENS

- 1 x Teorema Polis Pastry Deck Ovens accommodating 2 x (600 x 400) Trays
- Stone / or steel base options
- Optional steam Boiler

### STAND

- Heavy Duty Stand with Lockable Castors
- Optional Bakery Rack under



## SPECIFICATIONS

Voltage	400V 3 Phase
Power	16.9 kw
Weight	319 kg
Plug Supplied	No
Capacity	6 Trays (400 x 600) for Anemos Bakery Combi 2 Trays (400 x 600) for Teorema Polis Pastry Deck Oven 5 Trays (400 x 600) for Proving Cabinet
Thermostat	260°C Teorema Anemos bakery Combi 400°C Teorema Polis Bakery Deck
Warranty	4 Year Warranty (2 yr Labour 4 yr Parts)

## COMPONENTS

1 x Ventilation Hood Top	1COM019A
1 x 6 Tray TEOREMA Anemos GE/MC TOUCH Bakery Combi Oven.	5FC0403
1 x Stacking kit	1COM006A
1 x TPOLIS 2S 2 tray Bakery Deck Oven	2P02H05B
1 x Heavy Duty High Stand on Castors	1COM012A

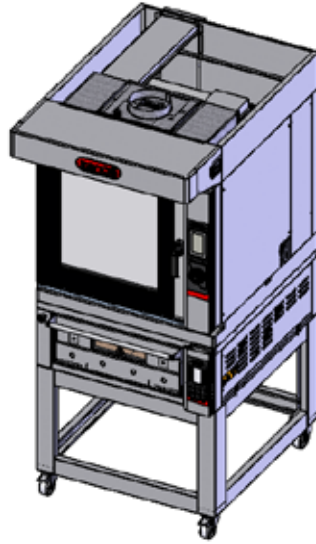
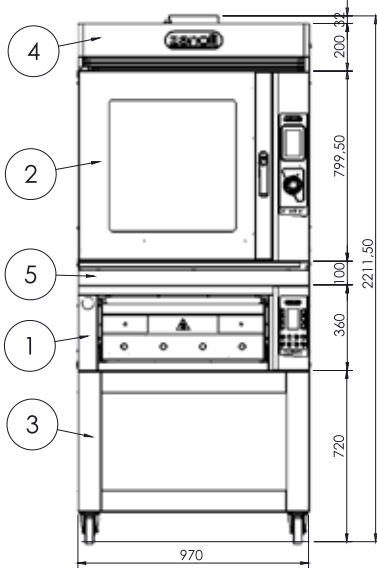
## DIMENSIONS

External Width	970mm
External Depth	1351mm (including hood)
External Height	2211mm

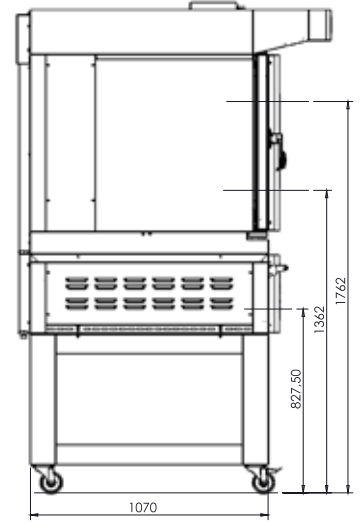
# TAE61SH

## EXHAUST HOOD STRUCTURE AND PROVISION

### FRONT

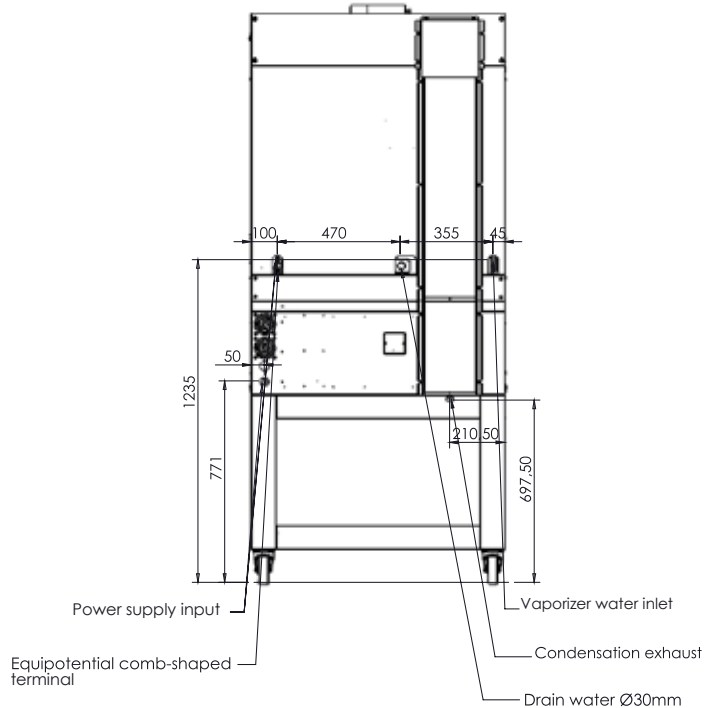


### SIDE

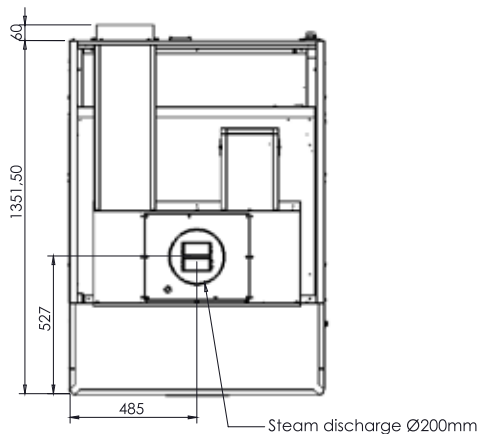


Item num.	Quantity	Description	Power	Trays	Distance between trays
1	1	T POLIS 2S	6.4 kW	n°2	
2	1	T ANEMOS 6E TOUCH	10.5 kW	n°6	80mm
3	1	STAND WITH CASTORS			
4	1	EXHAUST HOOD	0.3 kW		
5	1	KIT COMBI			
Optional		Power			
STEAM BOILER FOR DECK OVEN		2.8KW			

### REAR



### TOP



We reserve the right to alter specifications without notice.

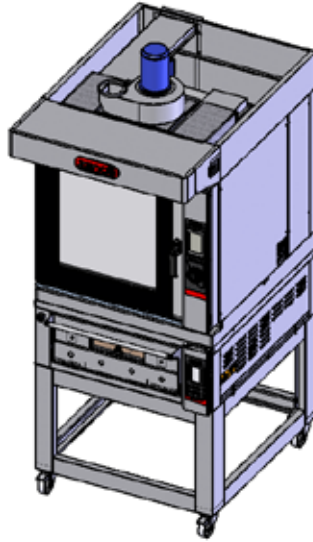
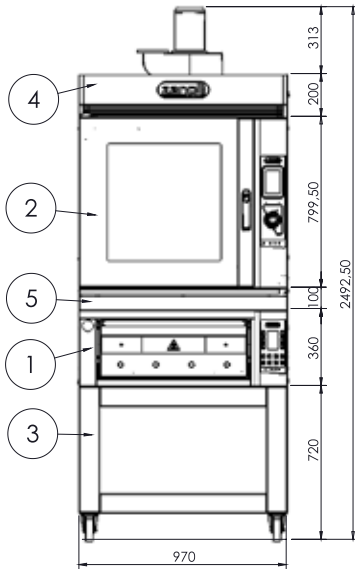


Phone: 1800 183 818 Email: support@thegoodlady.com.au  
Website: www.thegoodlady.com.au

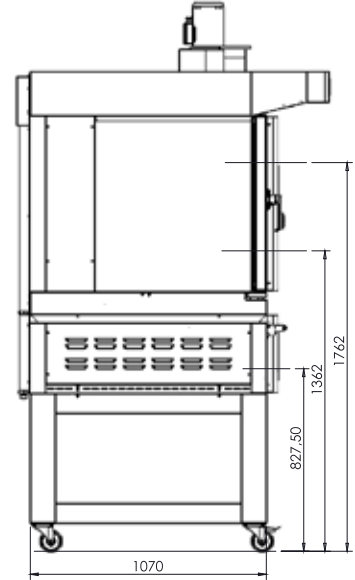
# TAE61SH

## EXHAUST HOOD STRUCTURE, PROVISION & MOTOR (400M3/600M3 CAPACITY)

### FRONT



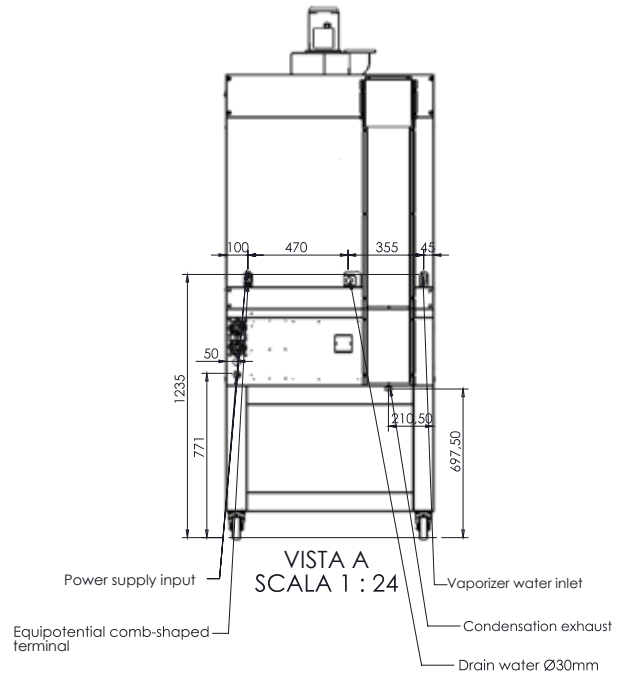
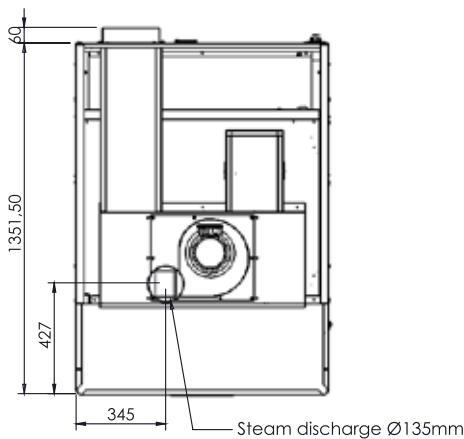
### SIDE



Item num.	Quantity	Description	Power	Trays	Distance between trays
1	1	T POLIS 2S	6.4 kW	n°2	
2	1	T ÀNEMOS 6E TOUCH	10.5 kW	n°6	80mm
3	1	STAND WITH CASTORS			
4	1	EXHAUST HOOD WITH MOTOR	0.25 kW		
5	1	KIT COMBI			
Optional		Power			
STEAM BOILER FOR DECK OVEN		2.8KW			

### REAR

### TOP



We reserve the right to alter specifications without notice.

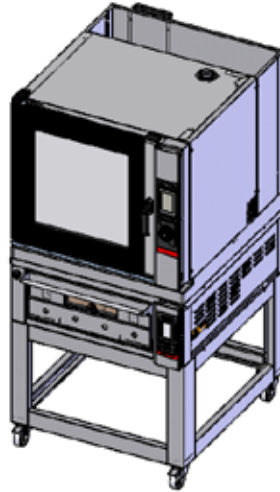
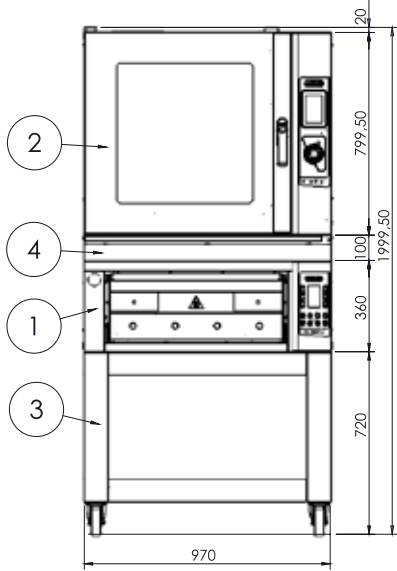


Phone: 1800 183 818 Email: support@thegoodlady.com.au  
Website: www.thegoodlady.com.au

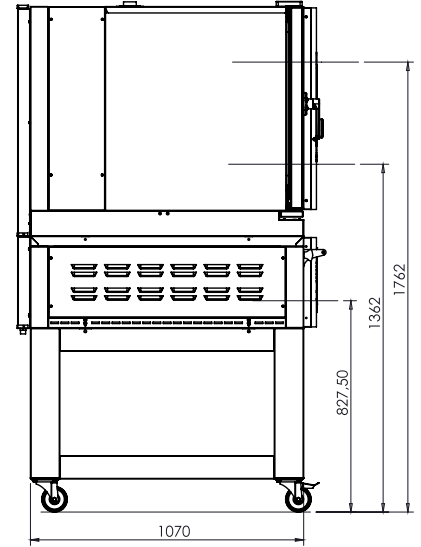
# TAE61SH

## NO EXHAUST PROVISION

### FRONT

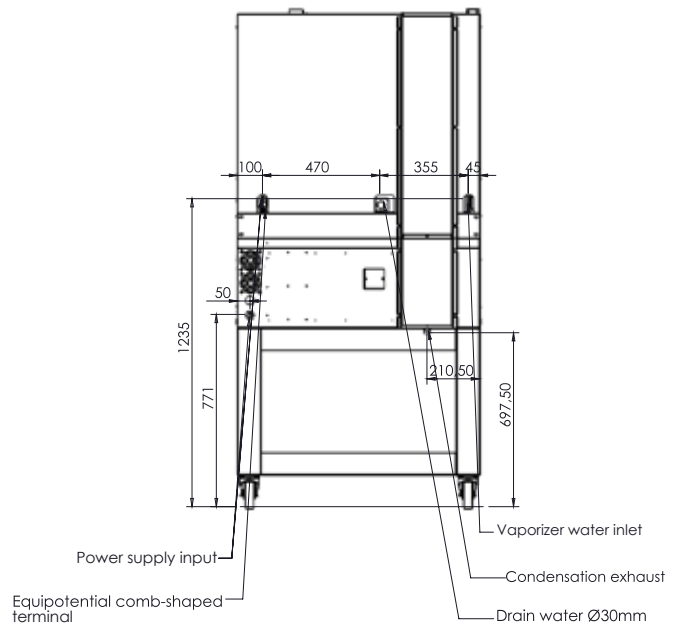
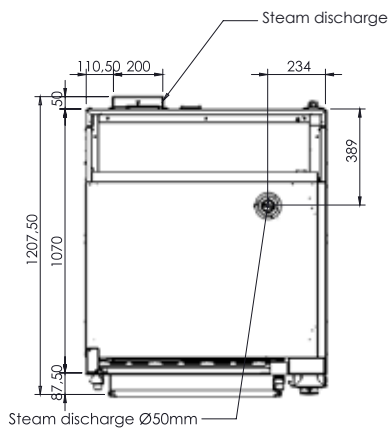


### SIDE



Item num.	Quantity	Description	Power	Trays	Distance between trays
1	1	T POLIS 2S	6.4 kW	n°2	
2	1	T ÀNEMOS 6E TOUCH	10.5 kW	n°6	80mm
3	1	STAND WITH CASTORS			
4	1	KIT COMBI			
Optional			Power		
STEAM BOILER FOR DECK OVEN			2.8KW		

### REAR



We reserve the right to alter specifications without notice.



**THE  
GOOD  
LADY**

Phone: 1800 183 818 Email: support@thegoodlady.com.au  
Website: www.thegoodlady.com.au