

# DATA SHEET

Zanoli Synthesis 12/100E-1

## 40 Inch Electric Impingement Conveyor Oven

2SV4504C-1

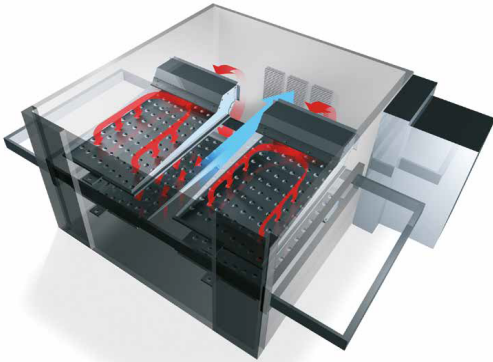
INDUSTRY  
KITCHENS

www.industrykitchens.com.au 1800 611 058

zanoli  
1952 • ITALY

### Build

- Built entirely in stainless steel
- Double glazed full width inspection door.
- In built cooling system for all external parts ensures oven is cool to touch and work with.
- Heavy duty construction with reliable and durable components.
- Stackable up to 2 units.
- Optional Heavy duty stand with omnidirectional wheels and brakes



### Controls

#### Temperature:

- BRP (power regulation) system reaches working temperature in 20 minutes
- Balanced temperature detection system managed via dual oven probes..
- Maximum cooking temperature up to 320 °C
- Independent adjustment of the top and bottom power from from 50% to 100%.

#### Advanced control board automatically manages:

- Temperature and power consumption in peak and off peak times contributing to significant savings.
- The cooking intensity ensuring highest performance at the lowest temperatures

#### Customizable and Programmable up to:

- 10 Programmes with unique control over the below paramters:

- A = setting temperature
- B = top power (%)
- C = cooking timer
- D = bottom power (%)
- E = program name and n°

- 2 auto start ups per day with your selected program

#### Conveyor:

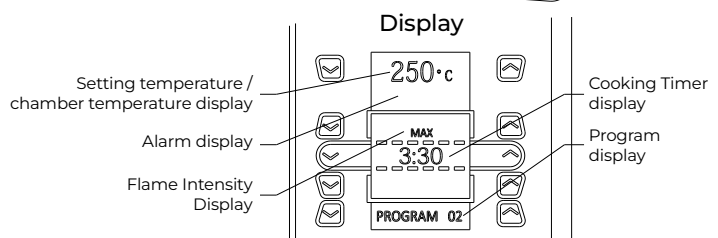
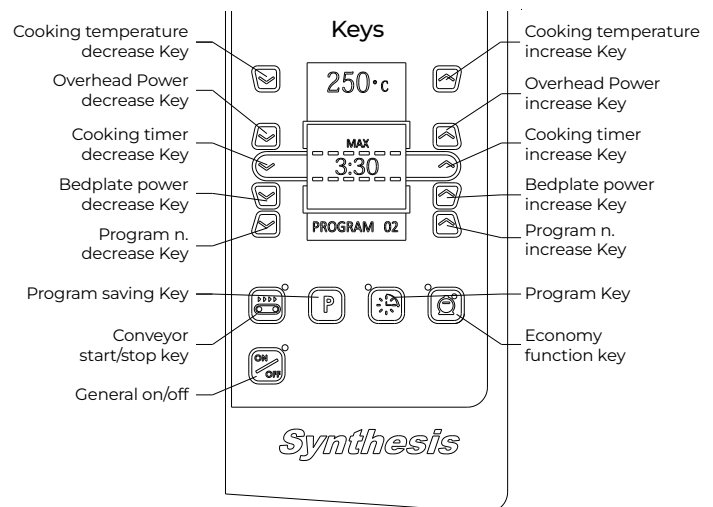
- Adjustable speed conveyor belt all the way to a complete halt. The dashes on the display move top to bottom simulating its movement

### Impingement technology

- Maximum silence of the mesh conveyor system and ventilation motors.
- Latest advancements in air impingement technology allow for rapid heating & cooking of all foods consistently at all times.
- The piercing jets of hot turbulent air encompass every part of the oven delivering exceptional results every time.

### Economy function allows:

- The Economy function enables the oven to maintain a lower temperature when not in active use compared to when it's in operation. This feature conserves energy, leading to cost savings. Additionally, it controls the movement of the wire mesh conveyor, serving a dual purpose beyond just temperature management.



# DATA SHEET

Zanoli Synthesis 12/100E-1

40 Inch Electric Impingement Conveyor Oven

2SV4504C-1



## Technical specifications

### External Size

External Width	2445mm
External Depth	1790mm
External Height	710mm

### Cooking Chamber size

Internal Width	1300mm
Internal Depth	1010mm
Internal Height	100mm

### Conveyor Belt Size

Conveyor Width	2370mm
Conveyor Depth	1010mm

### Weight

Net weight	450 kg
package weight	*

### Connection requirements electric

Total electrical power	44,9 kW
------------------------	---------

### Electrical supply current (per oven)

Voltage	415V
Current at 380-415 V 3N~	73 A

### Cable and Lead

Plug Supplied	No
Cable Length	2m
Wire section	16 mm <sup>2</sup>
Electrical connection	Plugless 5 lead cable

### Recommended Clearances

Minimum clearance	Left	Rear	Right
Standard	200mm	200mm	200mm

### Operating Environment

Temperature	0 - 40 °C
Maximum humidity	95% without condensation
Noise	< 70 decibels

### Operation

Conveyor Belt speed	2.2 - 30min
Maximum Temperature	320°C

### Warranty

2 Year Warranty	2 years parts and labour
-----------------	--------------------------

*\*Subject to a preventative maintenance plan*

We reserve the right to alter specifications without notice.

# DATA SHEET

Zanoli Synthesis 12/100E-1

40 Inch Electric Impingement Conveyor Oven

2SV4504C-1



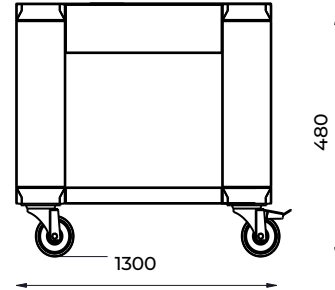
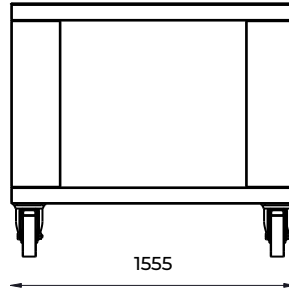
## Options

<input type="checkbox"/>	Micromesh belt - 6mm
SKU	--

<input type="checkbox"/>	Right to left Belt configuration
SKU	--

<input type="checkbox"/>	High speed conveyor belt gearbox
SKU	--

<input type="checkbox"/>	Stand suited for Single/Double deck configuration
SKU	OSV5A05
Size	1555 x 1300 x 480
Weight	47.5kg



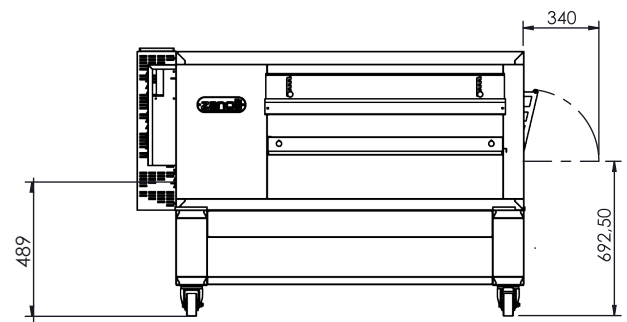
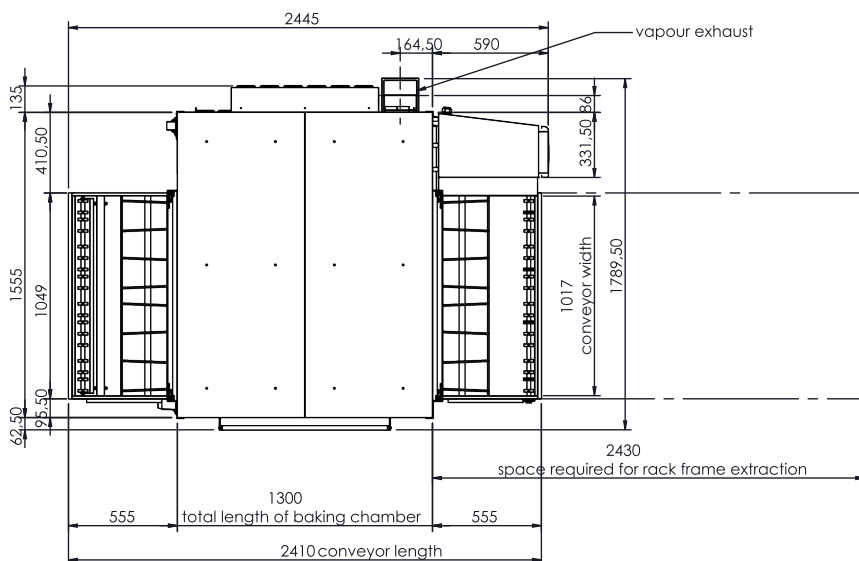
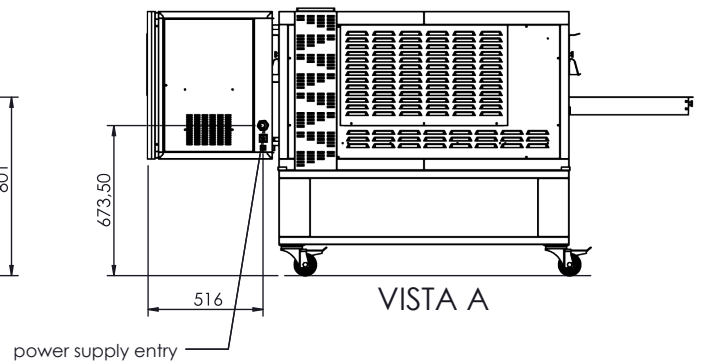
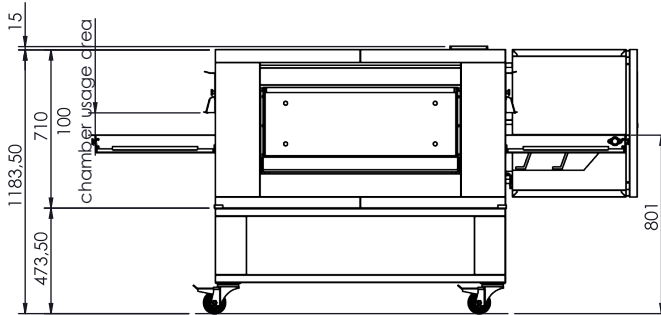
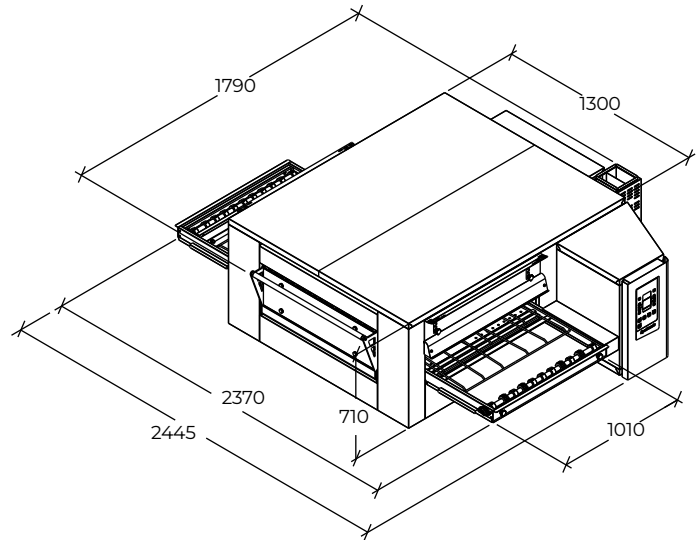
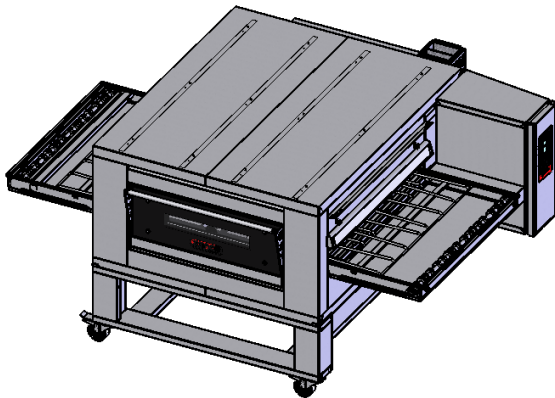
We reserve the right to alter specifications without notice.

# DATA SHEET

## Zanoli Synthesis 12/100E-1

### 40 Inch Electric Impingement Conveyor Oven

2SV4504C-1



We reserve the right to alter specifications without notice.