

# DATA SHEET

## Zanoli Synthesis 06/40E-1

### 16 Inch Electric Impingement Conveyor Oven

2SV4411C-1

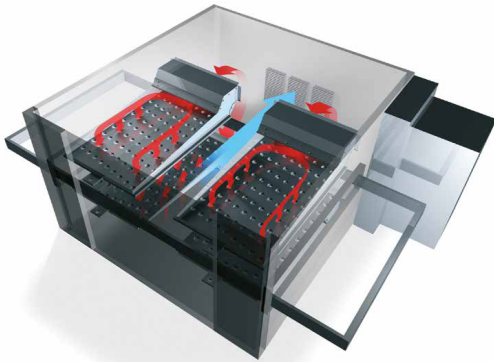
INDUSTRY  
KITCHENS

www.industrykitchens.com.au 1800 611 058

**zanoli**  
1952 • ITALY

#### Build

- Built entirely in stainless steel
- Removable front chamber panel for easy cleaning and access
- In built cooling system for all external parts ensures oven is cool to touch and work with.
- Heavy duty construction with reliable and durable components.
- Stackable up to 3 units.
- Optional Heavy duty stand with omnidirectional wheels and brakes



#### Controls

##### Temperature:

- BRP (power regulation) system reaches working temperature in 20 minutes
- Balanced temperature detection system managed via dual oven probes..
- Maximum cooking temperature up to 320 °C
- Independent adjustment of the top and bottom power from from 50% to 100%.

##### Advanced control board automatically manages:

- Temperature and power consumption in peak and off peak times contributing to significant savings.
- The cooking intensity ensuring highest performance at the lowest temperatures

##### Customizable and Programmable up to:

- 10 Programmes with unique control over the below paramters:

A = setting temperature  
B = top power (%)  
C = cooking timer  
D = bottom power (%)  
E = program name and n°

- 2 auto start ups per day with your selected program

##### Conveyor:

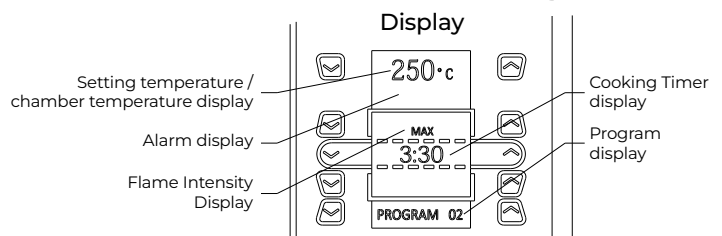
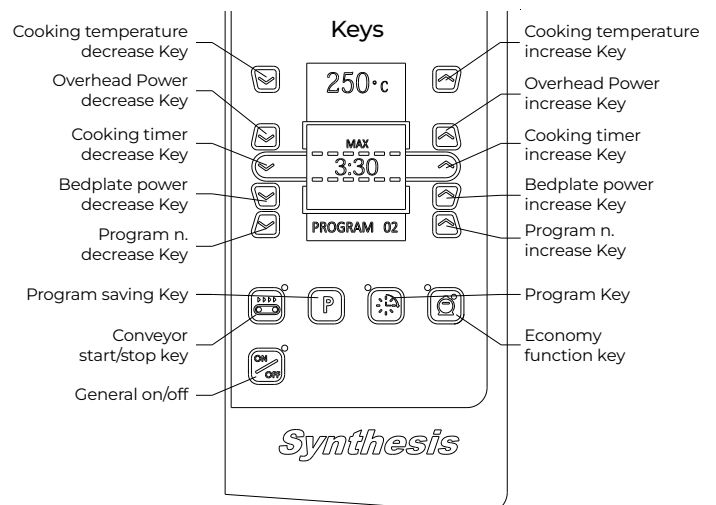
- Adjustable speed conveyor belt all the way to a complete halt. The dashes on the display move top to bottom simulating its movement

#### Impingement technology

- Maximum silence of the mesh conveyor system and ventilation motors.
- Latest advancements in air impingement technology allow for rapid heating & cooking of all foods consistently at all times.
- The piercing jets of hot turbulent air encompass every part of the oven delivering exceptional results every time.

#### Economy function allows:

- The Economy function enables the oven to maintain a lower temperature when not in active use compared to when it's in operation. This feature conserves energy, leading to cost savings. Additionally, it controls the movement of the wire mesh conveyor, serving a dual purpose beyond just temperature management.



# DATA SHEET

Zanoli Synthesis 06/40E-1

16 Inch Electric Impingement Conveyor Oven

2SV4411C-1



## Technical specifications

### External Size

External Width	1310mm
External Depth	1000mm
External Height	440mm

### Cooking Chamber size

Internal Width	580mm
Internal Depth	400mm
Internal Height	95mm

### Conveyor Belt Size

Conveyor Width	1070mm
Conveyor Depth	400mm

### Weight

Net weight	105 kg
package weight	*

### Connection requirements electric

Total electrical power	7.9 kw
------------------------	--------

### Electrical Supply Current (per oven)

Voltage	415V or 240V upon request
Current at 380-415 V 3N~	13 A

### Cable and Lead

Plug Supplied	No
Cable Length	2m
Wire section	4/10 mm <sup>2</sup>
Electrical connection	Plugless 5 lead cable

### Recommended Clearance

Minimum clearance	Left	Rear	Right
Standard	200mm	200mm	200mm

### Operating Environment

Temperature	0 - 40 °c
Maximum humidity	95% without condensation
Noise	< 70 decibels

### Operation

Conveyor Belt speed	1:45 - 30 min / Halt
Maximum Temperature	320°C

### Warranty

2 Year Warranty	2 years parts and labour
-----------------	--------------------------

*\*Subject to a preventative maintenance plan*

We reserve the right to alter specifications without notice.

# DATA SHEET

Zanoli Synthesis 06/40E-1

16 Inch Electric Impingment Conveyor Oven

2SV4411C-1



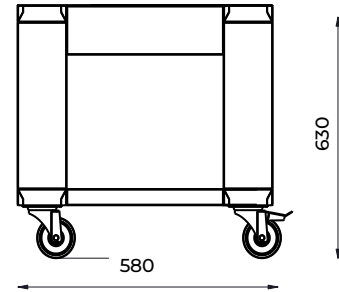
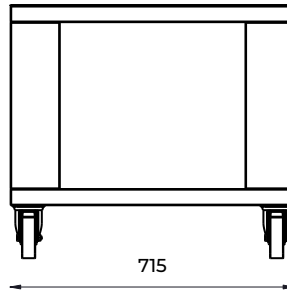
## Options

<input type="checkbox"/>	Micromesh belt - 6mm
SKU	--

<input type="checkbox"/>	Right to left Belt configuration
SKU	--

<input type="checkbox"/>	High speed conveyor belt gearbox
SKU	--

<input type="checkbox"/>	Stand suited for Single/Double deck configuration
SKU	OSV2A13
Size	715 x 580 x 630
Weight	28.5kg



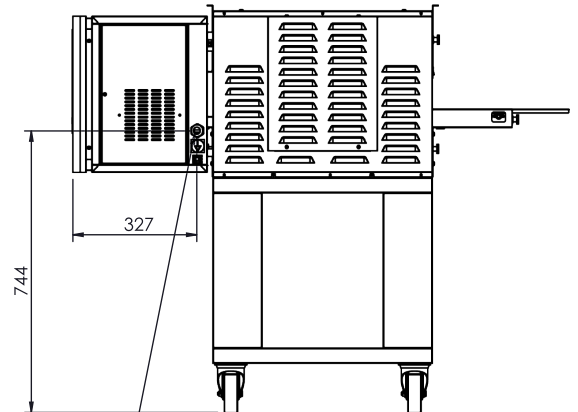
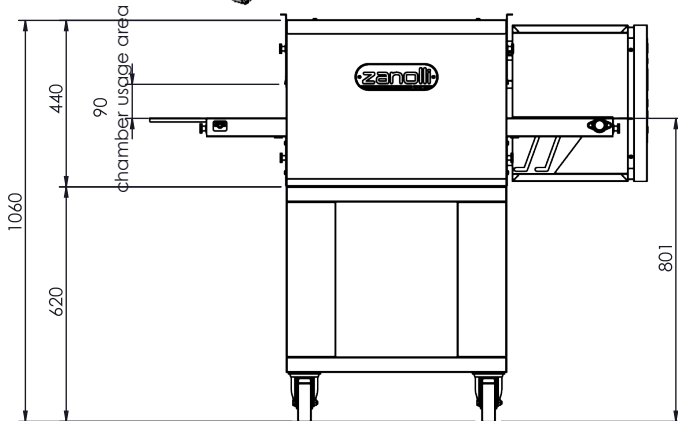
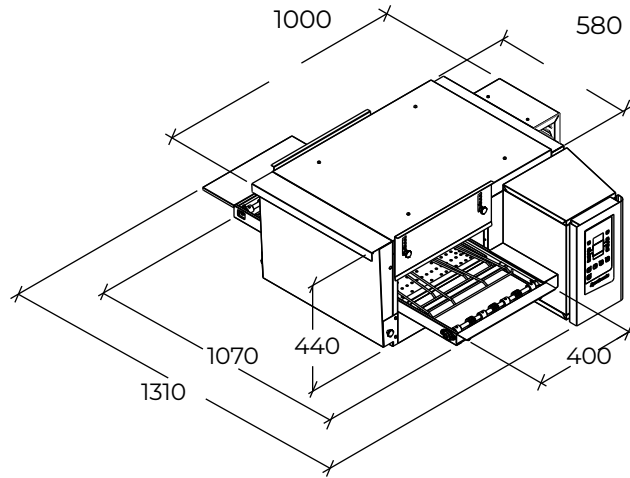
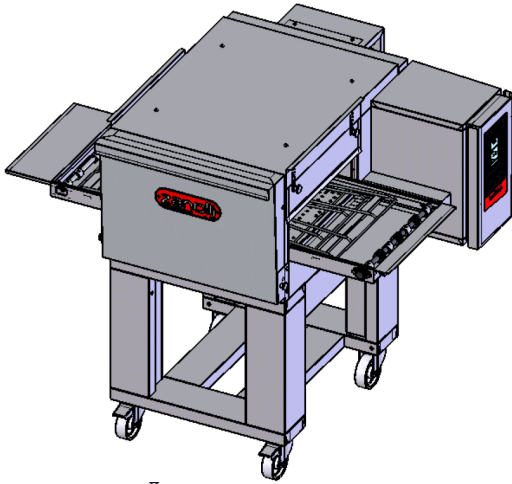
We reserve the right to alter specifications without notice.

# DATA SHEET

Zanoli Synthesis 06/40E-1

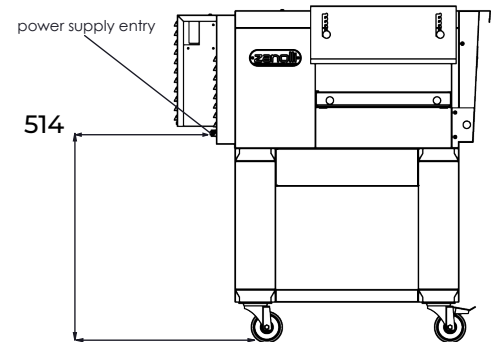
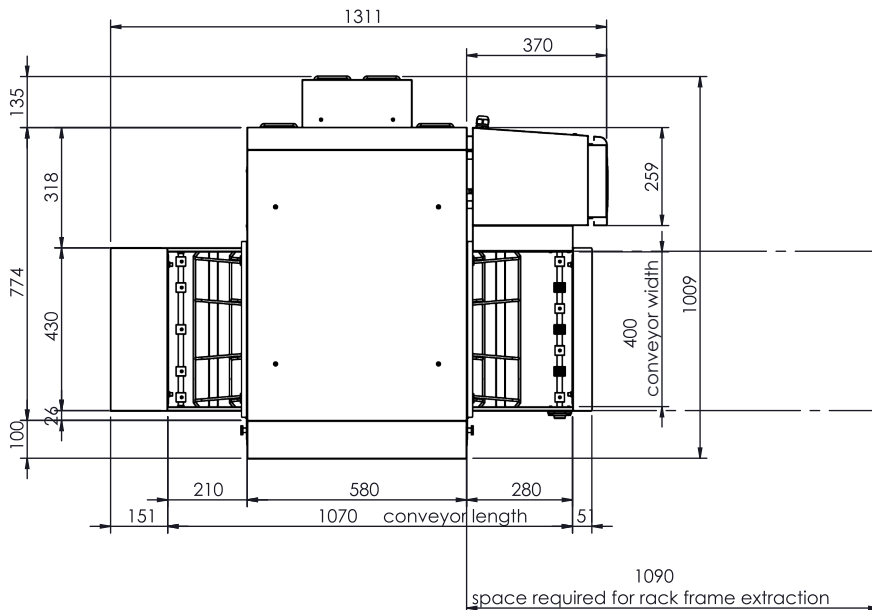
16 Inch Electric Impingement Conveyor Oven

2SV4411C-1



VISTA A

power supply entry



We reserve the right to alter specifications without notice.