

DEVIL 45 - PIZZA FORMING MACHINES

4FD4504



INDUSTRY
KITCHENS

www.industrykitchens.com.au 1800 611 058

Main Features

- Stainless steel construction
- Heated elements
- Non-stick cast iron plates with thick chrome plating to prevent sticking
- Top and bottom thermostats
- Timer to regulate compression time
- Plate size: 45 cm / 17.7 inch diameter
- Press up to 400 per hour

SPECIFICATIONS

Voltage	400 volts, 3N 50Hz, 12.6Amps
Power	5600 Watts
Power Breakdown -	
Heating Element Power	2 x 2500watts
Motor Power	600 watts
Plug Supplied	No, lead only
Cable Length	2m
Weight	127 kg
Dough Weight	100g - 500g
Upper/lower plate	450mm
Noise level	<70 decibel
Ambient Temp	0-40°C
Max humidity	95% without condensation
Warranty	4 Year Warranty (2 yr Labour 4 yr Parts)



DIMENSIONS

External Width	570mm
External Depth	670mm
External Height	775mm
Plate Size	Ø 450

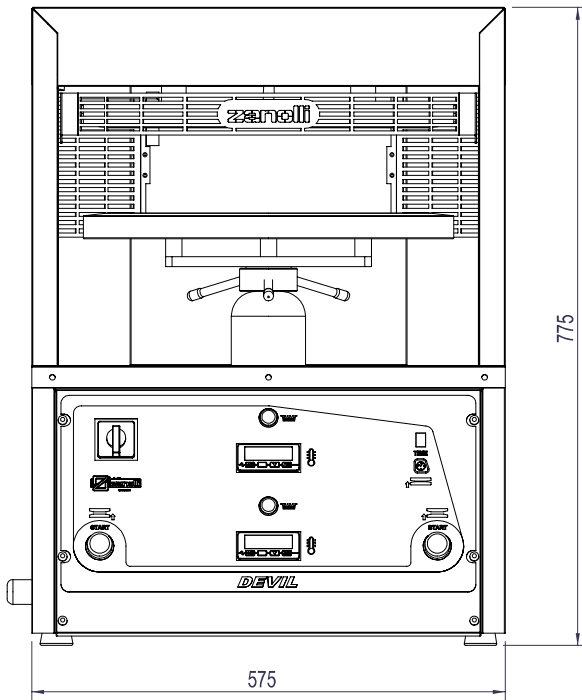


Phone: 1800 183 818 Email: support@thegoodlady.com.au
Website: www.thegoodlady.com.au

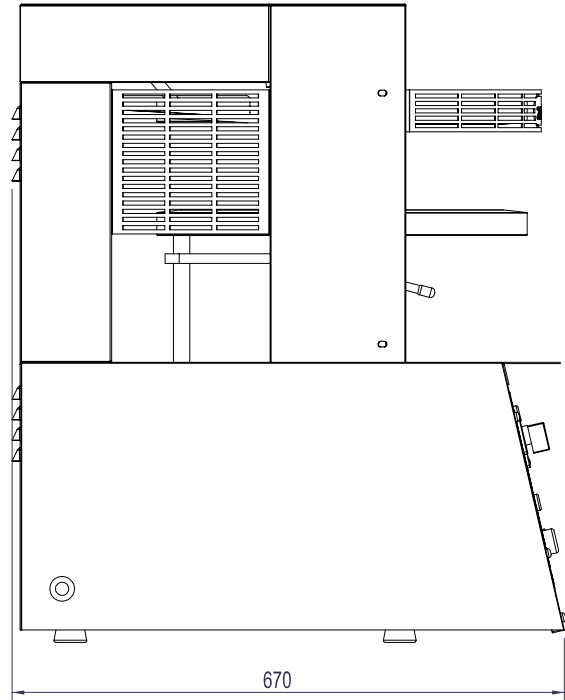
DEVIL 45

4FD4504

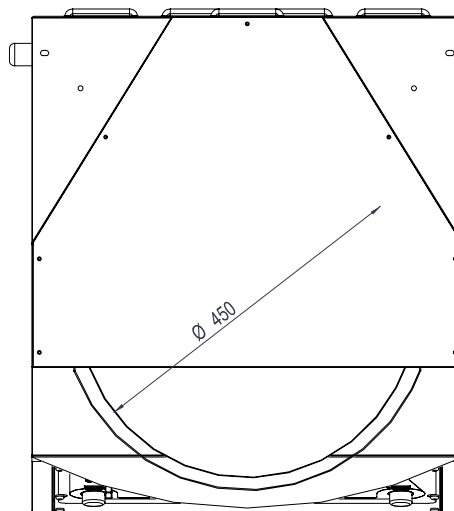
FRONT



SIDE



TOP



We reserve the right to alter specifications without notice.



THE
GOOD
LADY

Phone: 1800 183 818 Email: support@thegoodlady.com.au
Website: www.thegoodlady.com.au