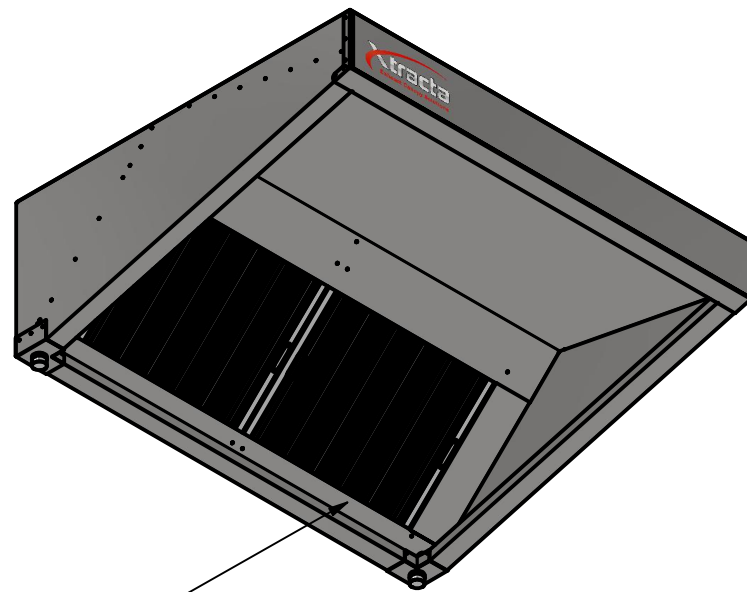
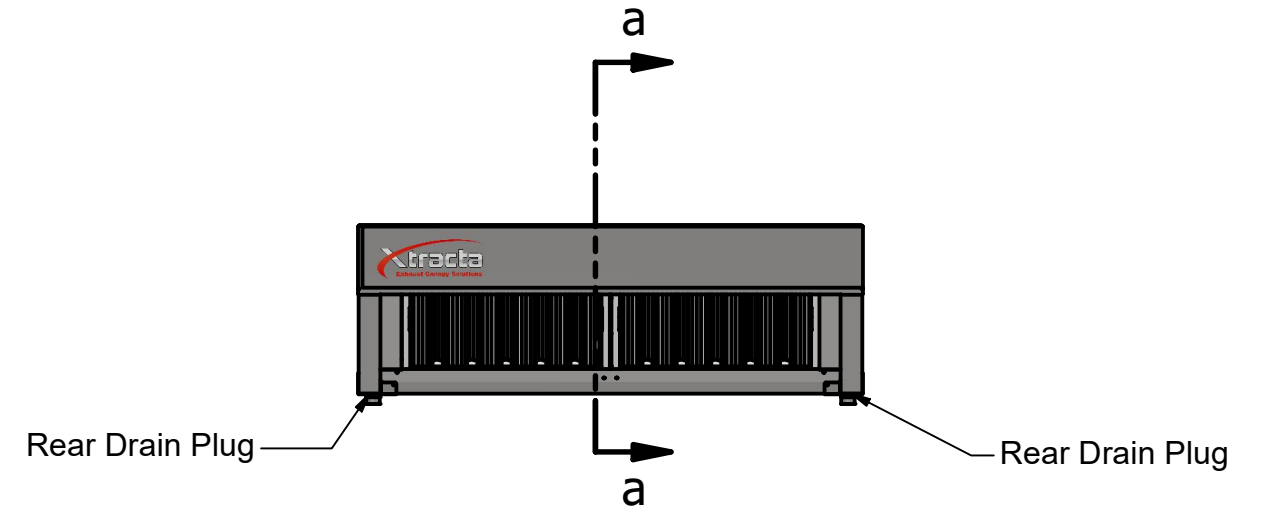
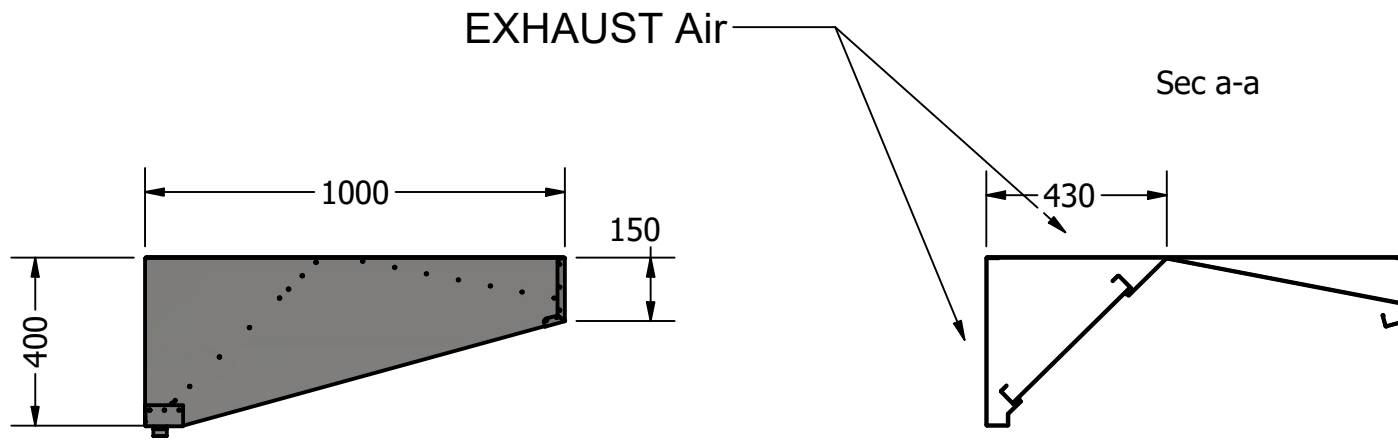
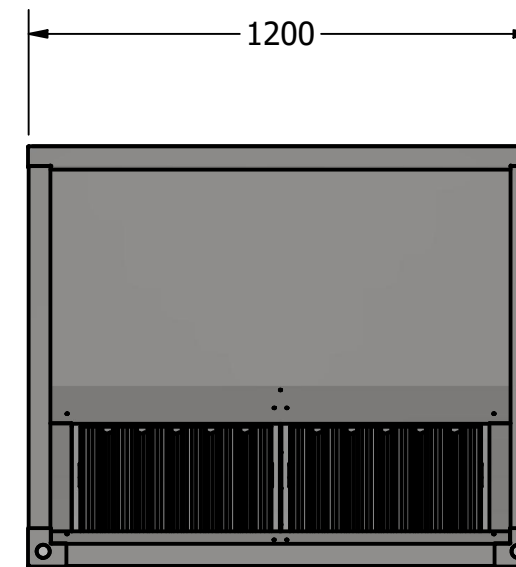


NOTE: Filter Angle in compliance with latest A.S 1668.2-2024



Stainless Steel
Baffle Filters (Included)

Washable in
Commercial Dishwasher



NOTE. Xtracta Food Van models do not have provision for integrated return air handling. Return air must be provided by other means into the facility as required.

Approximate Canopy Weight - 38 kg



PROJECT				
Xtracta VanAir				
DWG NO				
VanAir - 12_10 - 400				
SIZE	SCALE	SHEET	DATE	REV
A3	DNS	1	2/02/2026	1