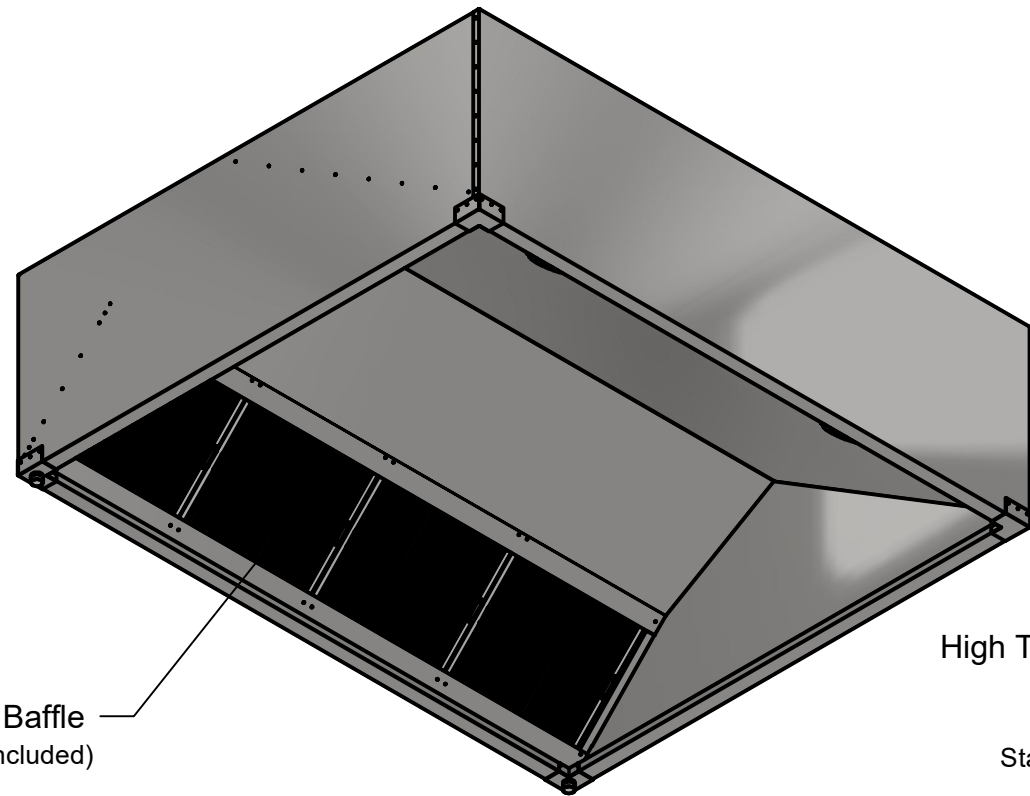


Sec a-a

Rear Drain Plug
Located at side edges
for easy access

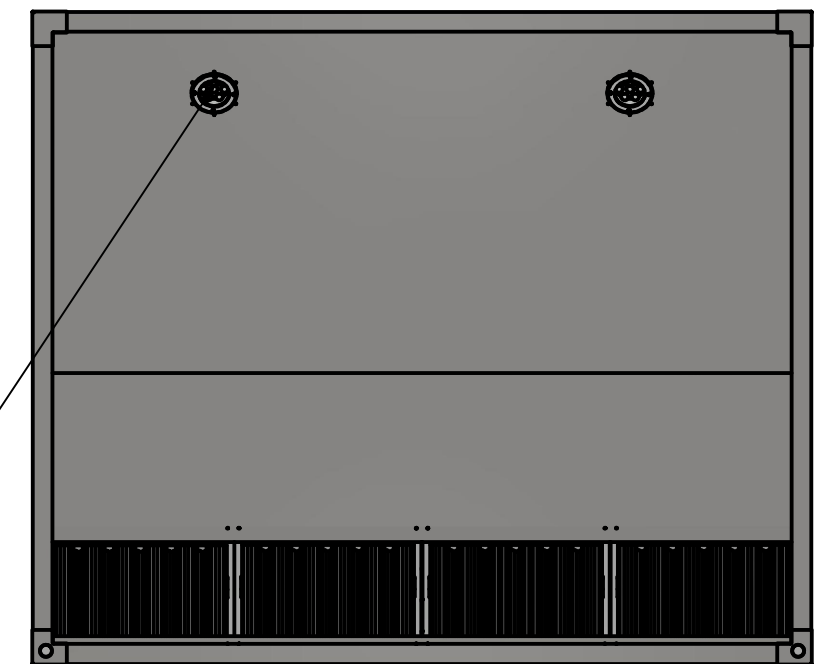


Stainless Steel Baffle
Filters (Included)

Can be cleaned in
commercial dishwasher

High Intensity LED light modules. IP67
High Temperature, Tempered Glass protectors

Low voltage LED Driver provided.
Standard 10A GPO to be provided above Canopy.



Approximate Mass - 105 kg

NOTE. Standard Xtracta models do not have provision for integrated return air handling. Return air must be provided by other means into the facility as required.

All Dimensions are in millimetres - mm



PROJECT				
Xtracta - Conveyor Pizza Oven				
DWG NO				
Xtracta 2024 - 2060_1725				
SIZE	SCALE	SHEET	DATE	REV
A3	DNS	1	25/02/2025	1