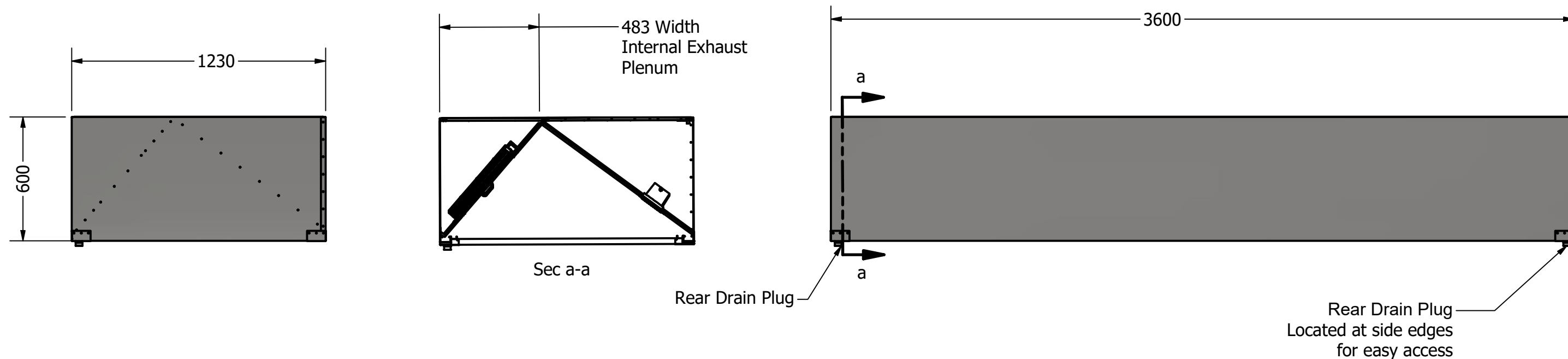
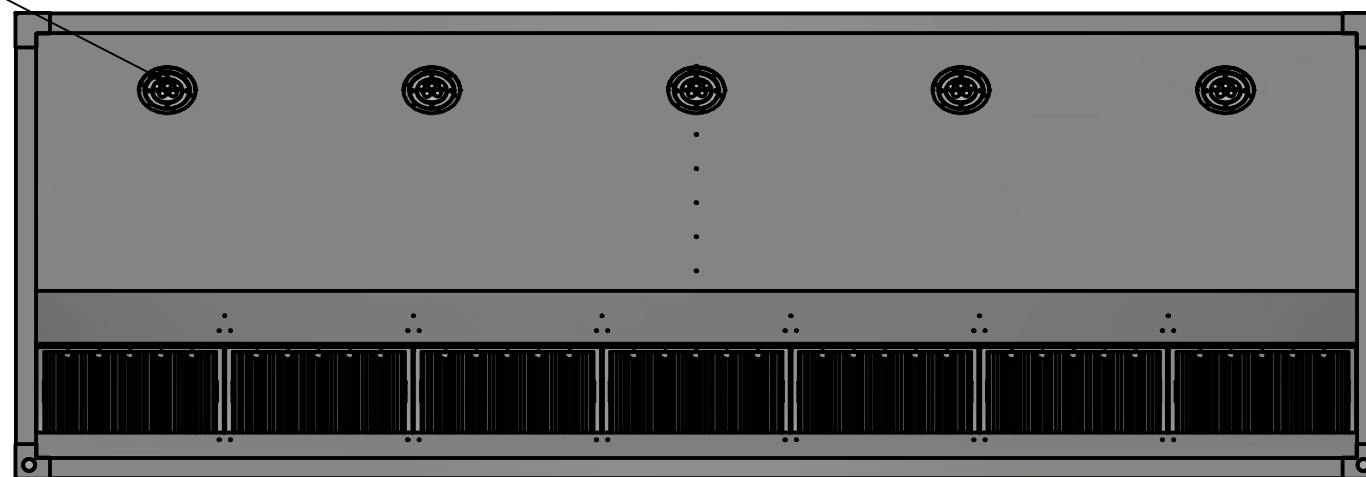
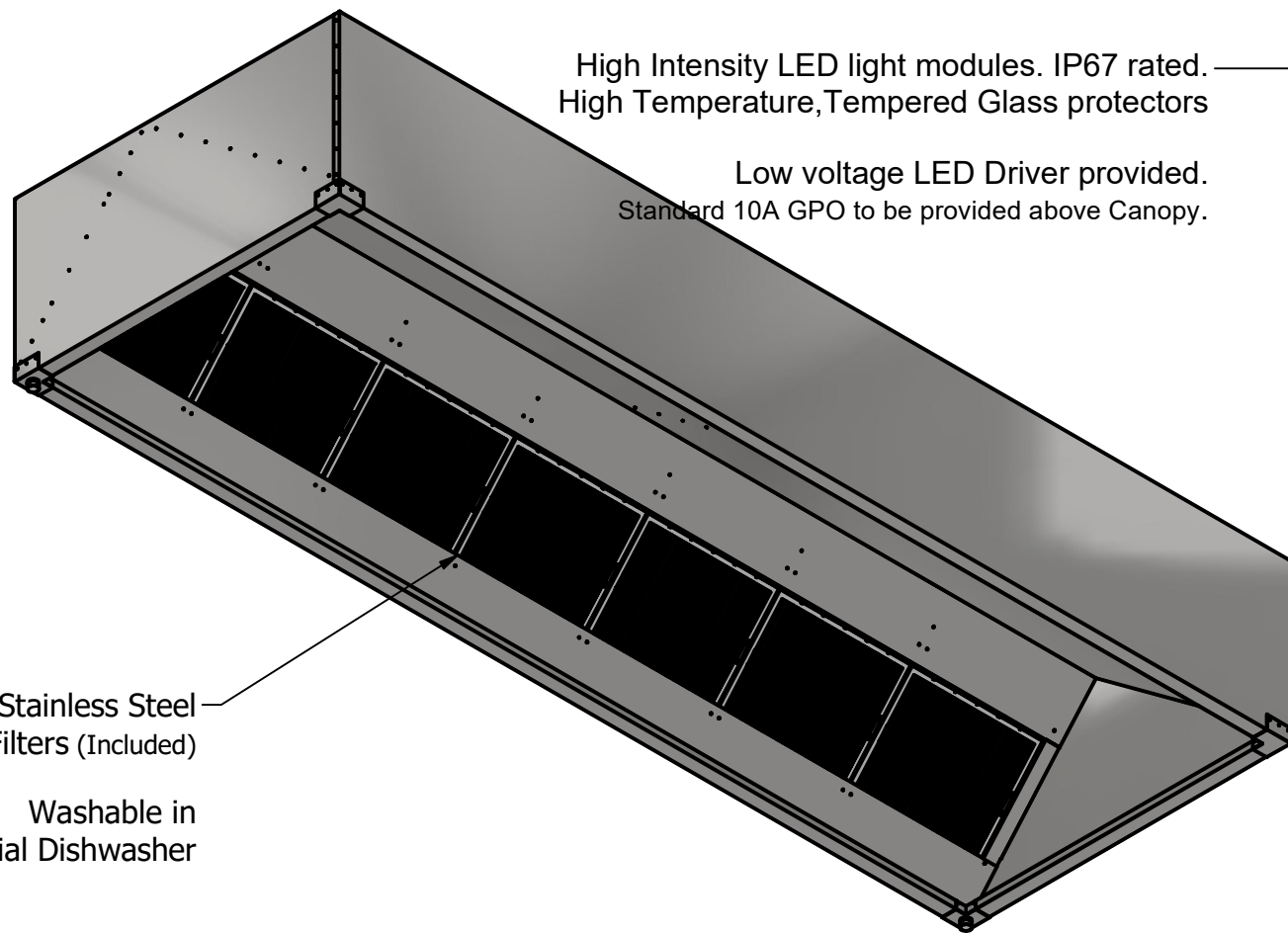


Designed & Manufactured in compliance with latest AS 1668.2-2024 Standard



High Intensity LED light modules. IP67 rated. High Temperature, Tempered Glass protectors

Low voltage LED Driver provided. Standard 10A GPO to be provided above Canopy.



Approx Canopy Weight - 122 kg

**INDUSTRY
KITCHENS**

www.industrykitchens.com.au 1800 611 058



NOTE. Standard Xtracta models do not have provision for integrated return air handling. Return air must be provided by other means into the facility as required.

All Dimensions are in millimetres - mm

PROJECT				
Xtracta - 2024				
DWG NO				
Xtracta 2024 - 36_1230				
SIZE	SCALE	SHEET	DATE	REV
A3	DNS	1	26/02/2025	2