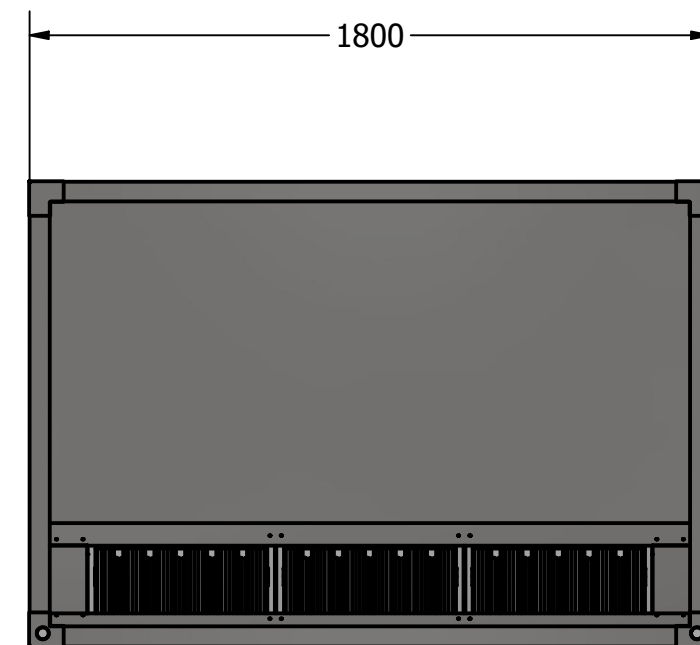
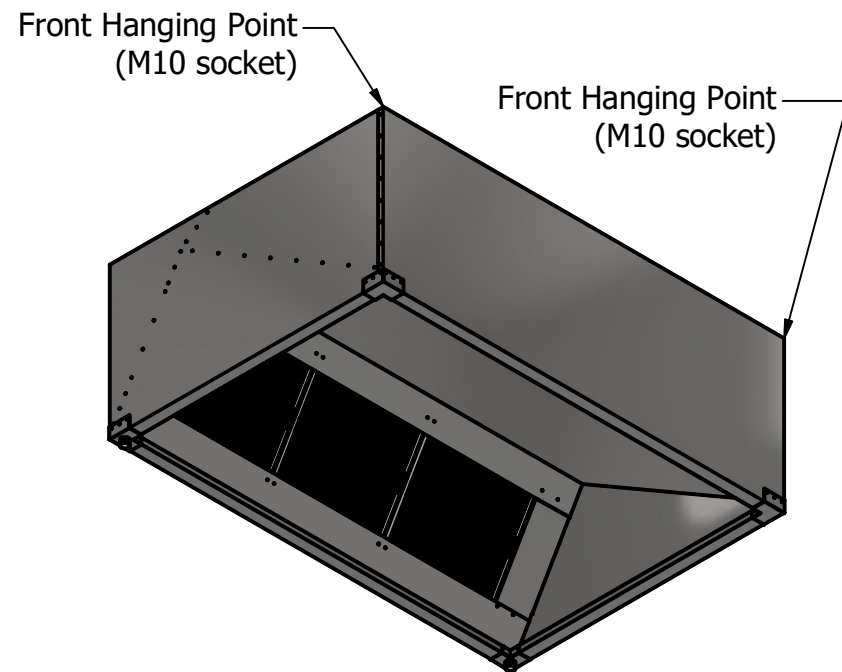
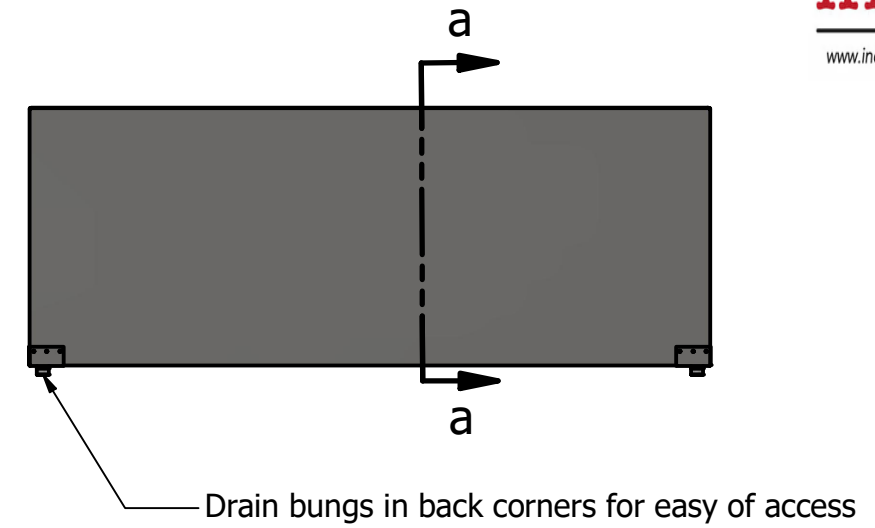
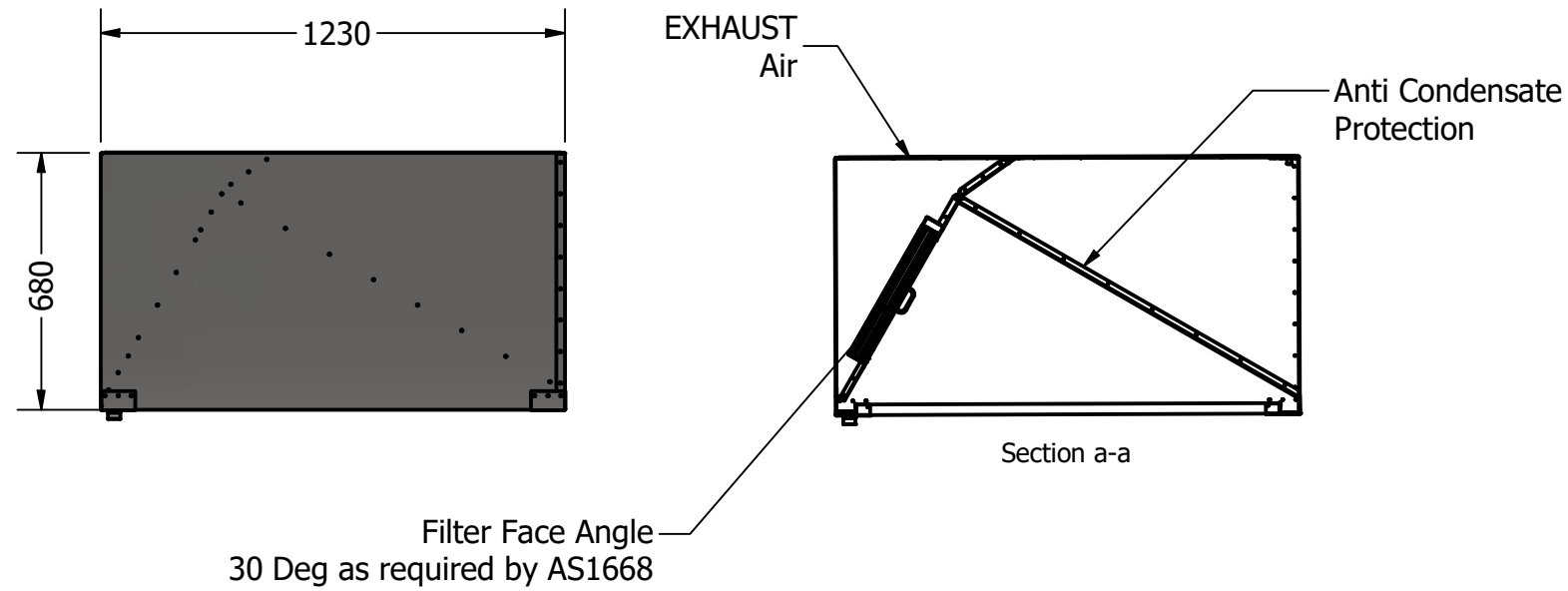


NOTE: Designed & Manufactured in compliance with A.S 1668.2-2012

**INDUSTRY
KITCHENS**

www.industrykitchens.com.au 1800 611 058



NOTE. Basic Xtracta models do not have provision for integrated return air handling. Return air must be provided by other means into the facility as required.

PROJECT				
Xtracta Standard Models				
DWG NO				
Xtracta 1800				
SIZE	SCALE	SHEET	DATE	REV
A3	DNS	1	28/02/2024	6