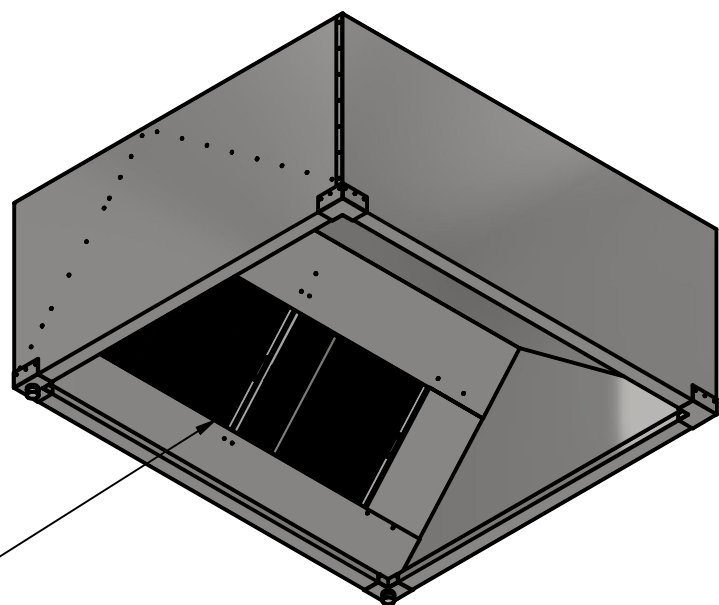
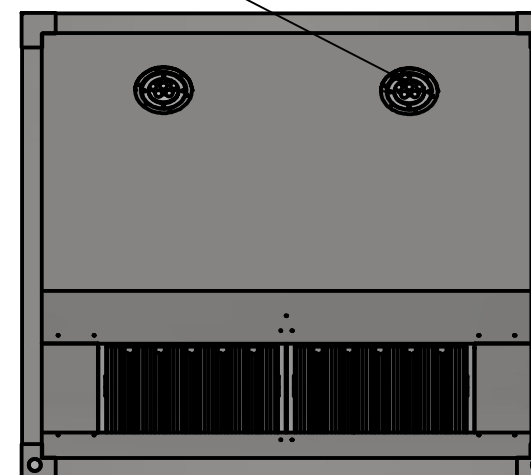


High Intensity LED light modules. IP67 rated.
High Temperature, Tempered Glass protectors

Low voltage LED Driver provided.
Standard 10A GPO to be provided above Canopy.



Stainless Steel
Baffle Filters (Included)

Washable in
Commercial Dishwasher

Approx Canopy Weight - 50 kg

NOTE. Standard Xtracta models do not have provision for integrated return air handling. Return air must be provided by other means into the facility as required.

All Dimensions are in millimetres - mm

**INDUSTRY
KITCHENS**

www.industrykitchens.com.au 1800 611 058



PROJECT				
Xtracta - 2024				
DWG NO				
Xtracta 2024 - 14_1230				
SIZE	SCALE	SHEET	DATE	REV
A3	DNS	1	26/02/2025	2