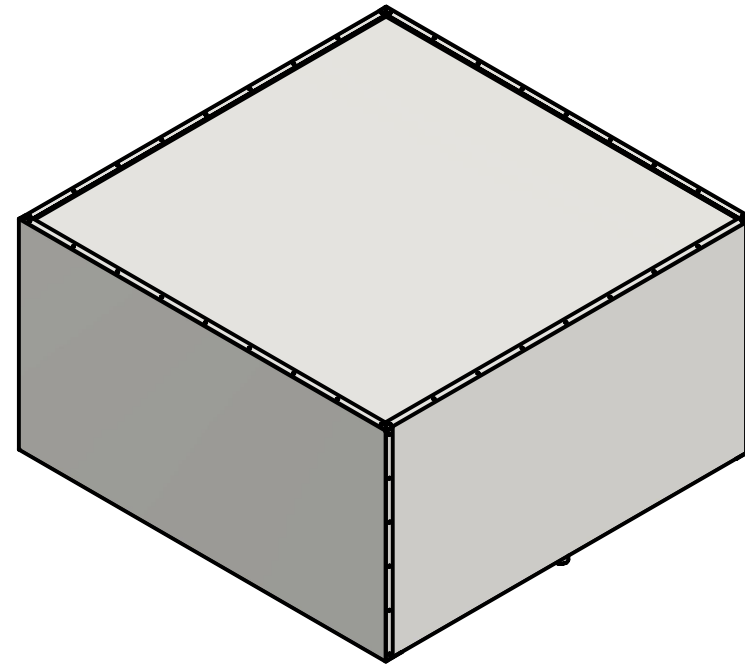
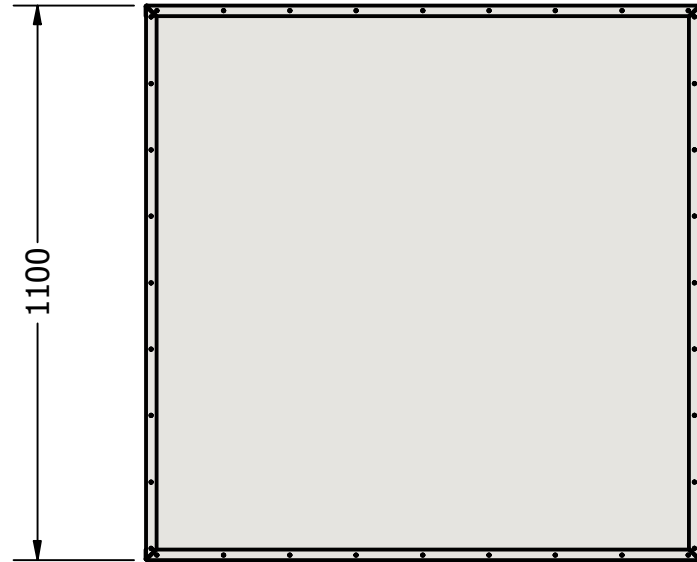
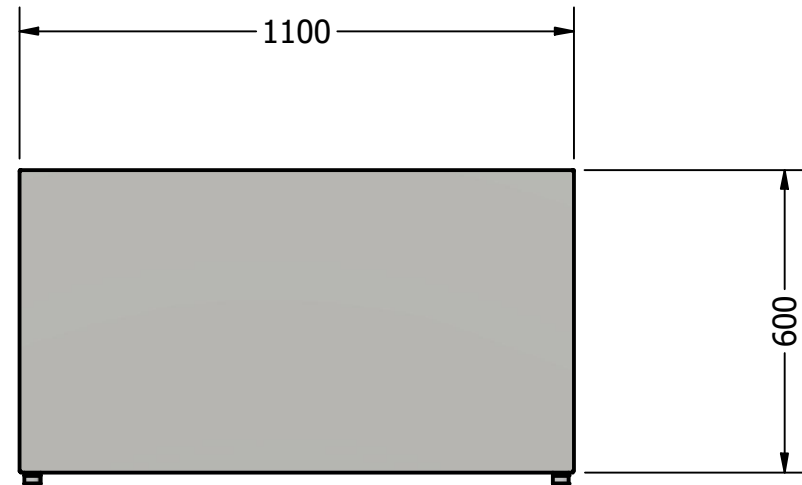
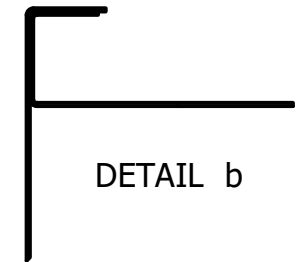


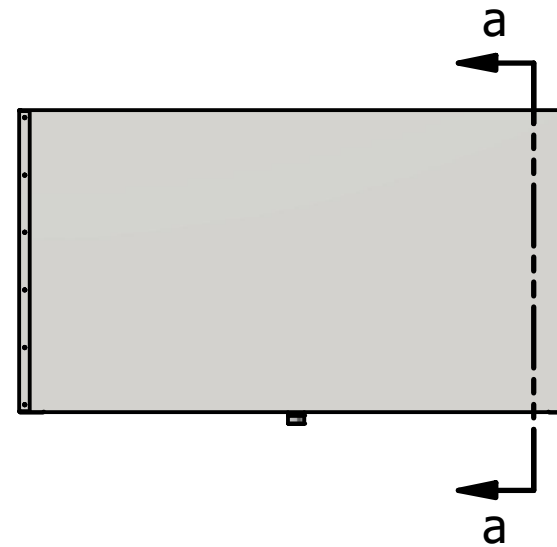
TOP View



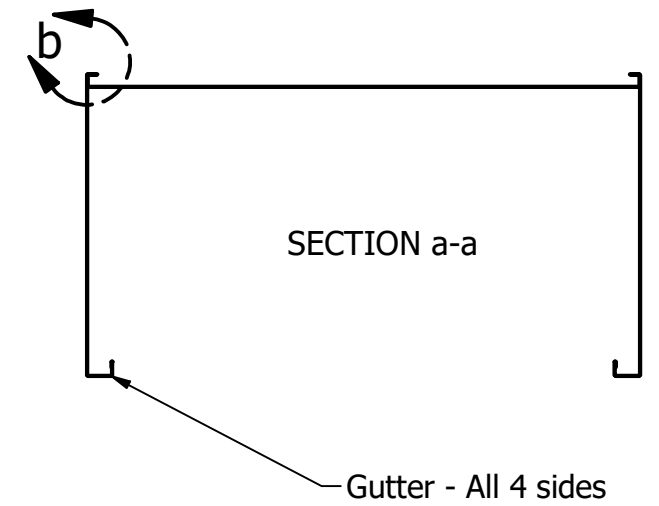
Recessed Lid - Side Flanges
Ease of mounting and concealment of fixings.



FRONT View



SIDE View



CONSTRUCTION ISSUE		
APPROVED FOR CONSTRUCTION	DATE	
Y/N	BY	
REVISION REQUIRED		DATE
Y/N	BY	

PROJECT				
Xtracta Steam Canopy				
DWG NO				
XST-C		Customer Drawing		
SIZE	SCALE	SHEET	DATE	REV
A3	DNS	1	14/04/2023	1