

**INDUSTRY
KITCHENS**

www.industrykitchens.com.au 1800 611 058

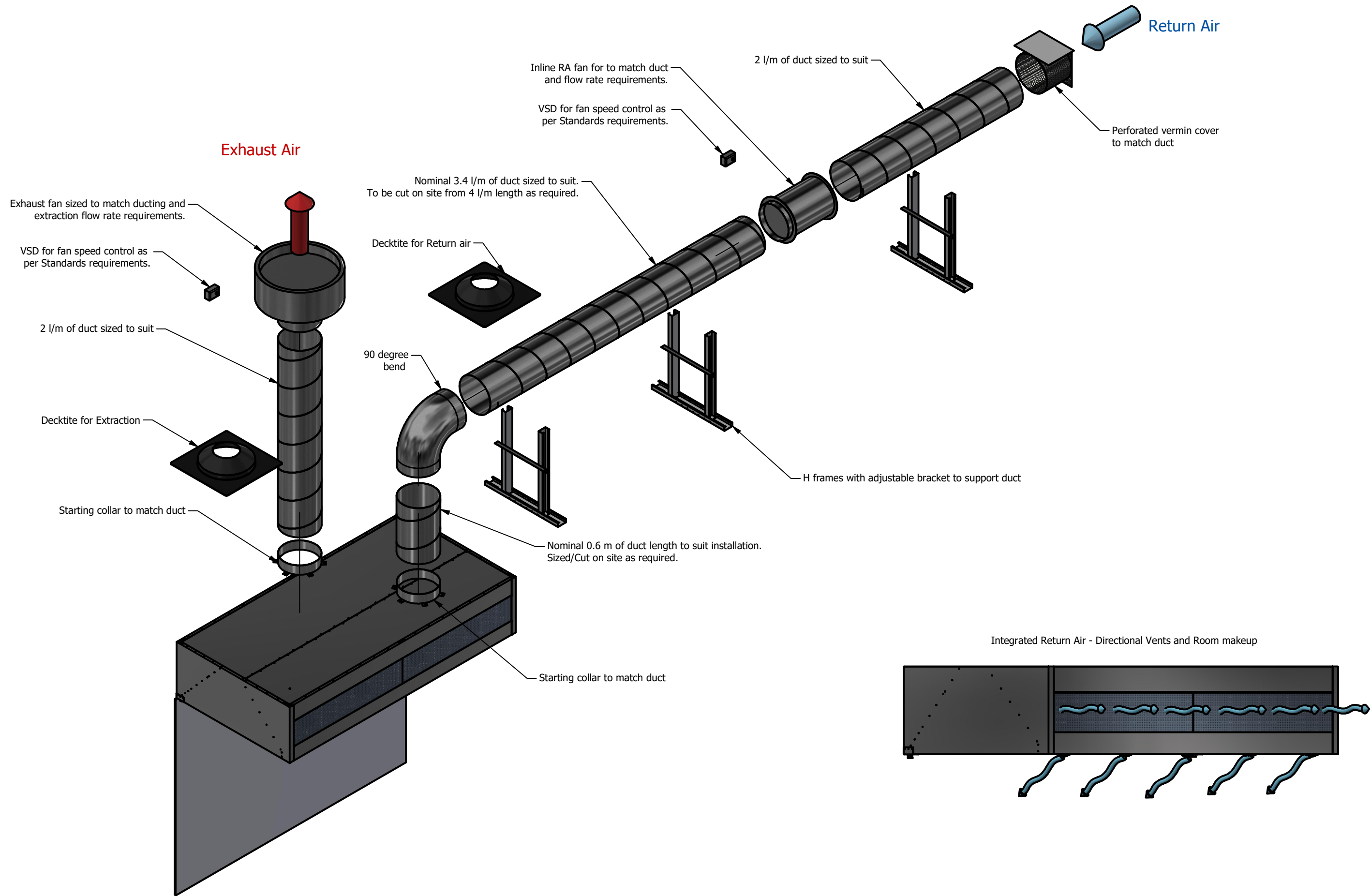
These Canopy/Ducting schematic layout drawings are indicative only and are solely intended to provide a general overview of the generic components only.

Customers are responsible for designing and accurately measuring all of the layout configurations such as duct runs, fan locations, penetrations, etc. as specifically suits their particular installation and site conditions. Customers are responsible for ordering the component configuration that suits their particular installation.

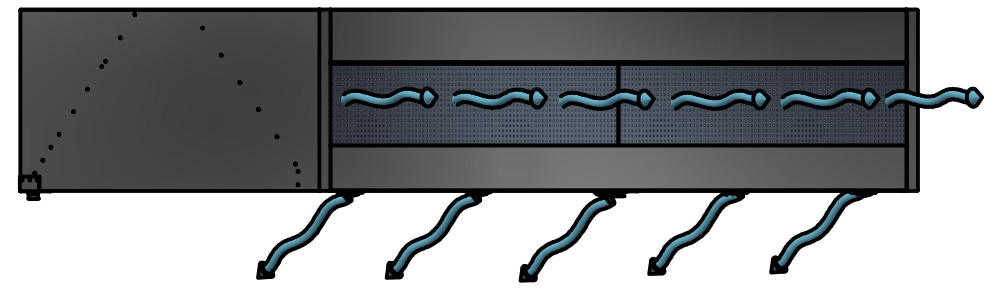
Any required Approval or Sign-off authority by Mechanical Services agents are the responsibility of the customer.



PROJECT XTRACTAIR				
DWG NO Xtractair Instal topology- RIGID duct - RA Horizontal				
SIZE A3	SCALE DNS	SHEET 1	DATE 16/12/2021	REV 2



Integrated Return Air - Directional Vents and Room makeup



These Canopy/Ducting schematic layout drawings are indicative only and are solely intended to provide a general overview of the generic components only.

Customers are responsible for designing and accurately measuring all of the layout configurations such as duct runs, fan locations, penetrations, etc. as specifically suits their particular installation and site conditions. Customers are responsible for ordering the component configuration that suits their particular installation.

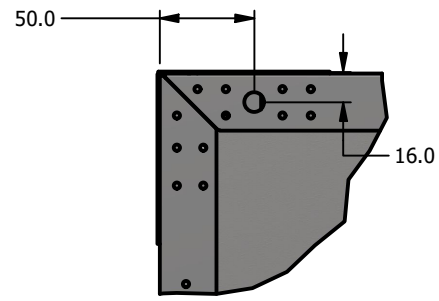
Any required Approval or Sign-off authority by Mechanical Services agents are the responsibility of the customer.



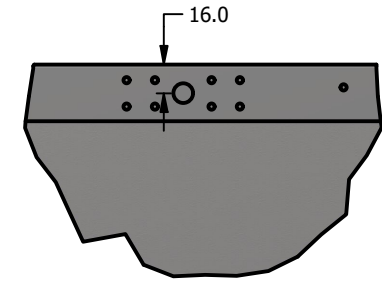
PROJECT				
XTRACTAIR				
DWG NO				
Xtractair Instal topology- RIGID duct - RA Horizontal				
SIZE	SCALE	SHEET	DATE	REV
A3	DNS	2	16/12/2021	2

Hanging Details

M10

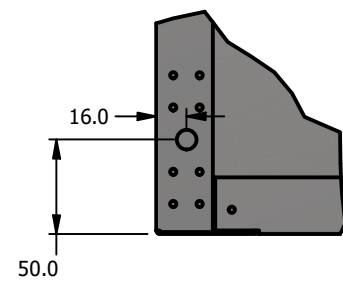


Rear - Corner

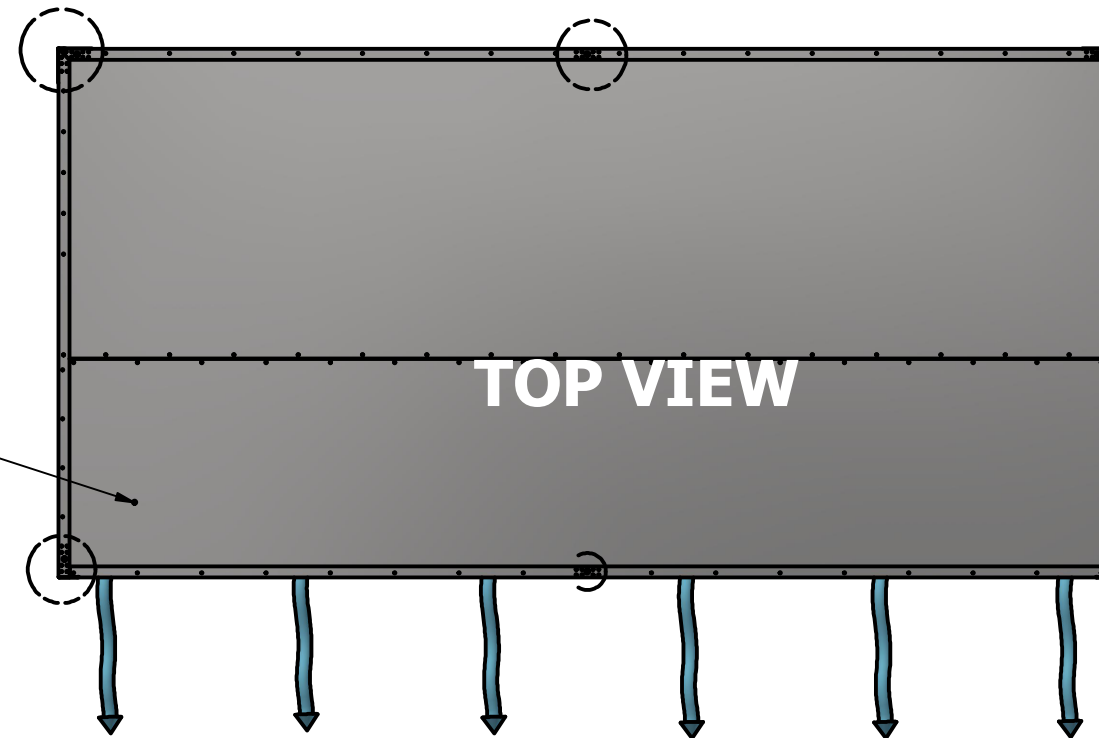


REAR - Centre

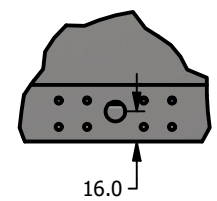
LED ELV wiring
Cable feed into ceiling space
Option either side



Front - Corner



FRONT



FRONT - Centre

These Canopy/Ducting schematic layout drawings are indicative only and are solely intended to provide a general overview of the generic components only.

Customers are responsible for designing and accurately measuring all of the layout configurations such as duct runs, fan locations, penetrations, etc. as specifically suits their particular installation and site conditions. Customers are responsible for ordering the component configuration that suits their particular installation.

Any required Approval or Sign-off authority by Mechanical Services agents are the responsibility of the customer.



PROJECT XTRACTAIR				
DWG NO Xtractair Instal topology- RIGID duct - RA Horizontal				
SIZE A3	SCALE DNS	SHEET 3	DATE 16/12/2021	REV 2

LED light wiring details

ELV

Plug for 240V a.c. GPO.

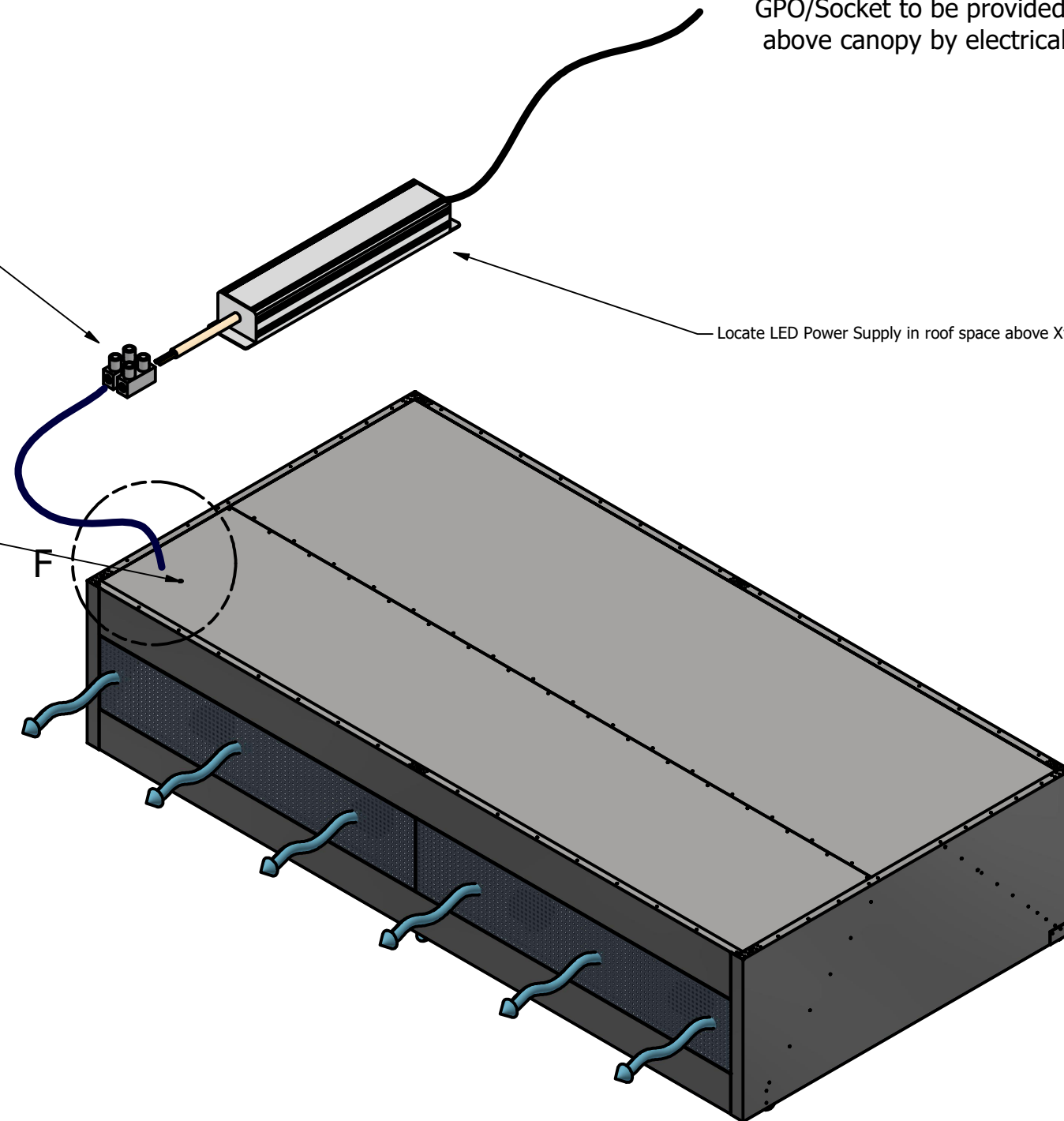
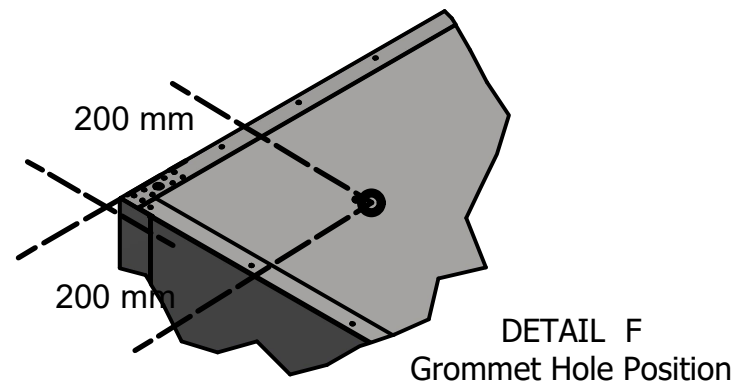
GPO/Socket to be provided in roof space above canopy by electrical services.

Join cables in terminal block provided.

BLUE - BLUE
BROWN - BROWN

Locate LED Power Supply in roof space above Xtractair canopy.

Pass ELV cable from inside front section of Xtractair canopy through grommet hole provided in front, left top of canopy.



These Canopy/Ducting schematic layout drawings are indicative only and are solely intended to provide a general overview of the generic components only.

Customers are responsible for designing and accurately measuring all of the layout configurations such as duct runs, fan locations, penetrations, etc. as specifically suits their particular installation and site conditions. Customers are responsible for ordering the component configuration that suits their particular installation.

Any required Approval or Sign-off authority by Mechanical Services agents are the responsibility of the customer.



PROJECT

XTRACTAIR

DWG NO

Xtractair Instal topology- RIGID duct - RA Horizontal

SIZE
A3

SCALE
DNS

SHEET
4

DATE
16/12/2021

REV
2