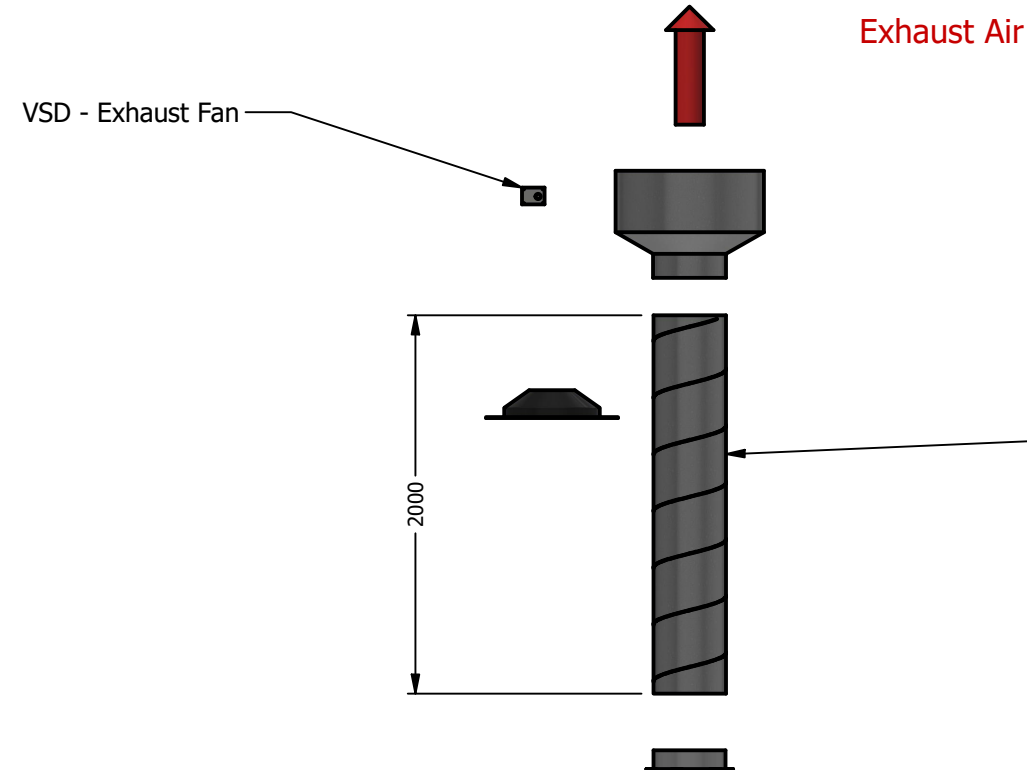
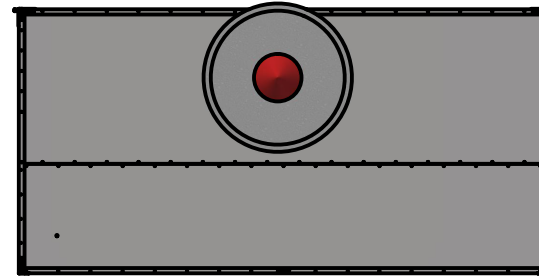


Top down View



Duct Kit options based on extraction flow rate required:

- MEK 305 (12")
- MEK 381 (15")
- MEK 451 (18")

Fire Rated Panel
in Compliance with
AS/NZS 5601 Part 1



**INDUSTRY
KITCHENS**

www.industrykitchens.com.au 1800 611 058

These Canopy/Ducting schematic layout drawings are indicative only and are solely intended to provide a general overview of the generic components only.

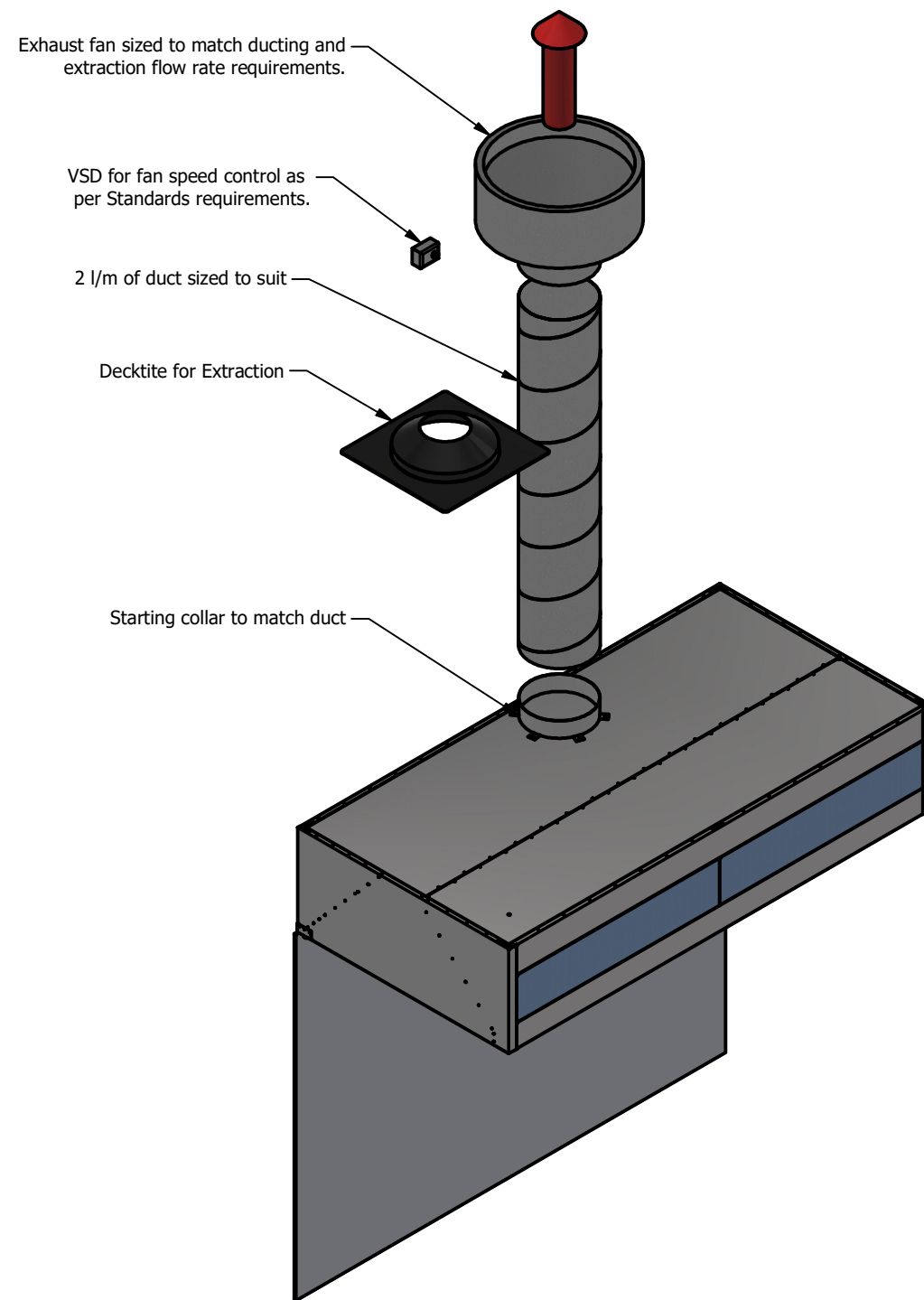
Customers are responsible for designing and accurately measuring all of the layout configurations such as duct runs, fan locations, penetrations, etc. as specifically suits their particular installation and site conditions. Customers are responsible for ordering the component configuration that suits their particular installation.

Any required Approval or Sign-off authority by Mechanical Services agents are the responsibility of the customer.



PROJECT XTRACTAIR				
DWG NO Xtractair Kit topology- RIGID duct - Extraction Only				
SIZE A3	SCALE DNS	SHEET 1	DATE 19/02/2023	REV 1

Exhaust Air



These Canopy/Ducting schematic layout drawings are indicative only and are solely intended to provide a general overview of the generic components only.

Customers are responsible for designing and accurately measuring all of the layout configurations such as duct runs, fan locations, penetrations, etc. as specifically suits their particular installation and site conditions. Customers are responsible for ordering the component configuration that suits their particular installation.

Any required Approval or Sign-off authority by Mechanical Services agents are the responsibility of the customer.



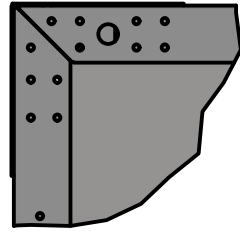
PROJECT
XTRACTAIR

DWG NO
Xtractair Kit topology- RIGID duct - Extraction Only

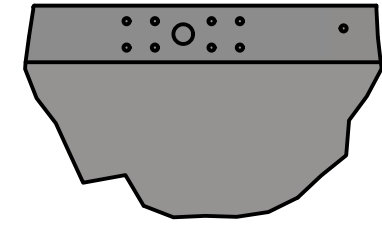
SIZE	SCALE	SHEET	DATE	REV
A3	DNS	2	19/02/2023	1

Hanging Details

M10

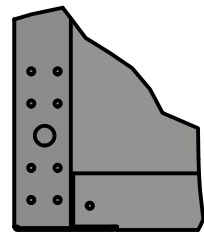


Rear - Corner

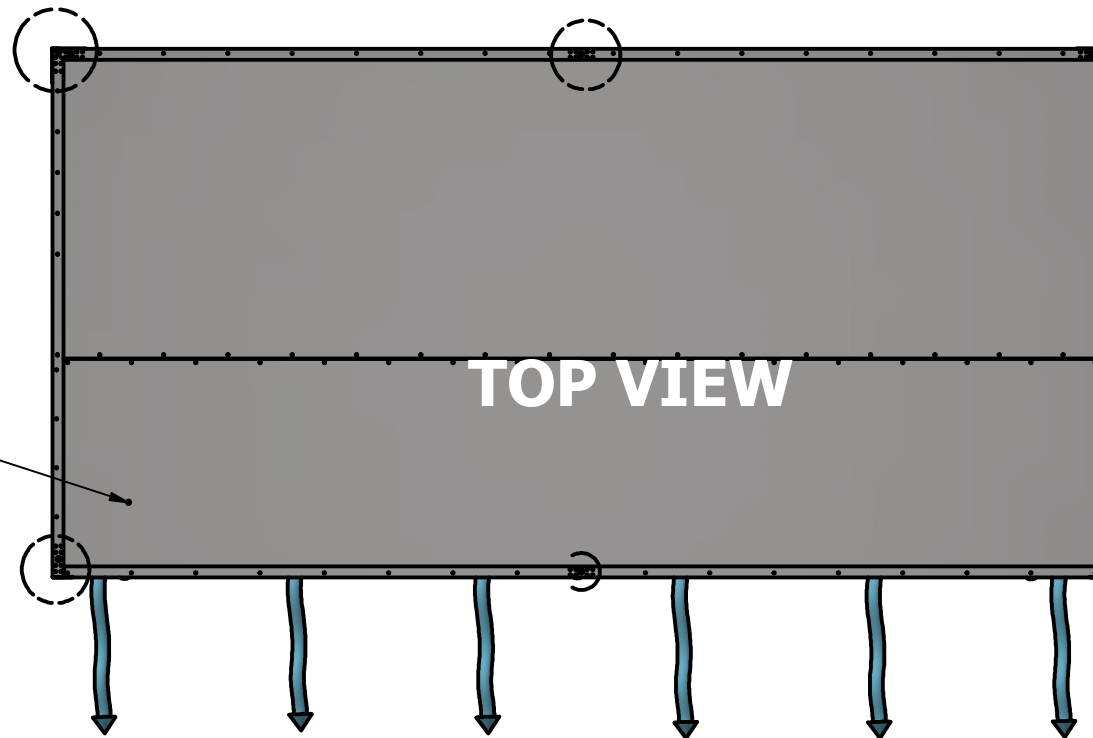


REAR - Centre

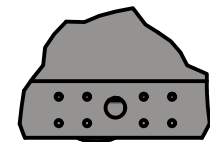
LED ELV wiring
Cable feed into ceiling space
Option either side



Front - Corner



FRONT



FRONT - Centre

These Canopy/Ducting schematic layout drawings are indicative only and are solely intended to provide a general overview of the generic components only.

Customers are responsible for designing and accurately measuring all of the layout configurations such as duct runs, fan locations, penetrations, etc. as specifically suits their particular installation and site conditions. Customers are responsible for ordering the component configuration that suits their particular installation.

Any required Approval or Sign-off authority by Mechanical Services agents are the responsibility of the customer.



PROJECT
XTRACTAIR

DWG NO
Xtractair Kit topology- RIGID duct - Extraction Only

SIZE	SCALE	SHEET	DATE	REV
A3	DNS	3	19/02/2023	1

LED light wiring details

ELV

Plug for 240V a.c. GPO.

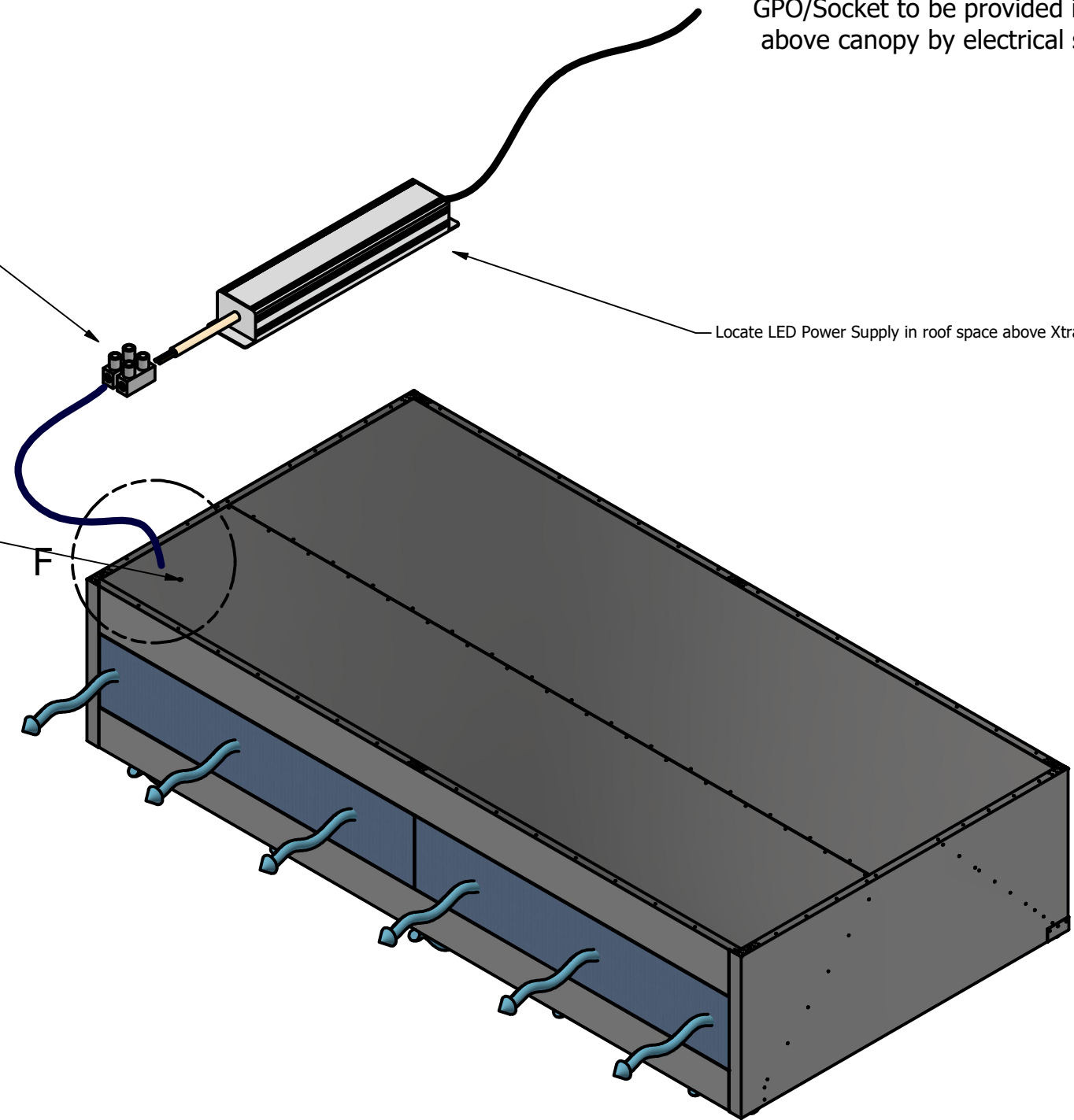
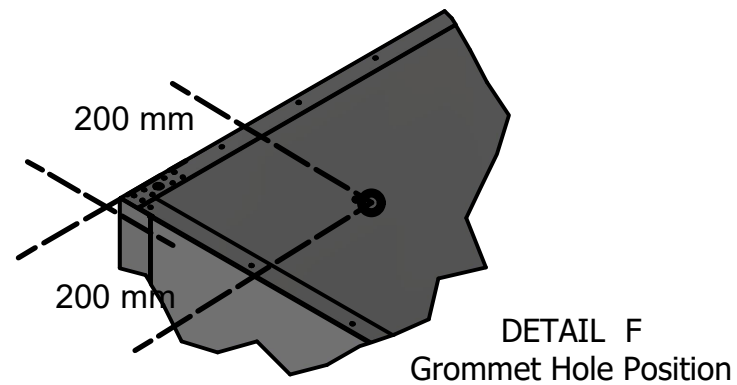
GPO/Socket to be provided in roof space above canopy by electrical services.

Join cables in terminal block provided.

BLUE - BLUE
BROWN - BROWN

Locate LED Power Supply in roof space above Xtractair canopy.

Pass ELV cable from inside front section of Xtractair canopy through grommet hole provided in front, left top of canopy.



These Canopy/Ducting schematic layout drawings are indicative only and are solely intended to provide a general overview of the generic components only.

Customers are responsible for designing and accurately measuring all of the layout configurations such as duct runs, fan locations, penetrations, etc. as specifically suits their particular installation and site conditions. Customers are responsible for ordering the component configuration that suits their particular installation.

Any required Approval or Sign-off authority by Mechanical Services agents are the responsibility of the customer.



PROJECT

XTRACTAIR

DWG NO

Xtractair Kit topology- RIGID duct - Extraction Only

SIZE
A3

SCALE
DNS

SHEET
4

DATE
19/02/2023

REV
1