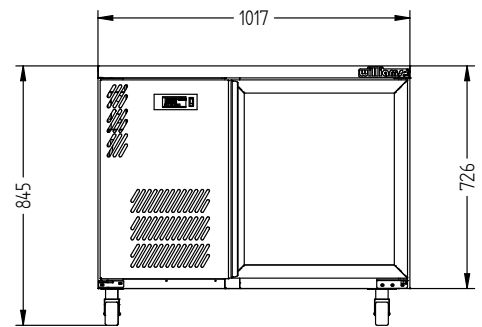
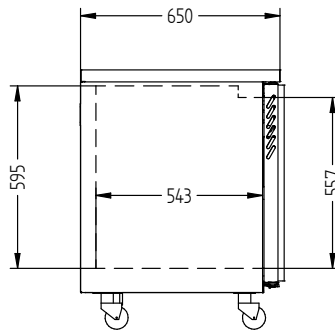
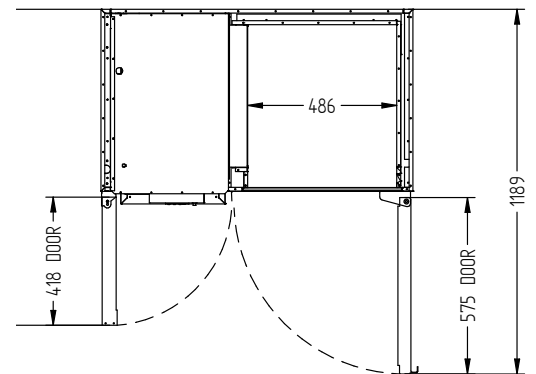


HB1UGB



CATEGORY	GENERAL COUNTERS & BACK BARS
RANGE	BORONIA
UNIT	REFRIGERATOR
TYPE	SELF CONTAINED
DOORS	1



SPECIFICATIONS

CAPACITY LITRES	180
TEMPERATURE	1°C / 4°C
FRONT BREATHING	YES
DIMENSIONS - W X D X H (ON CASTORS) MM	1017 W x 650 D x 845 H
WEIGHT UNPACKED (KG)	110

STANDARD INCLUSIONS ***

DOOR TYPE	Standard: G (Glass Door)
FINISH	B (Black with stainless steel countertop and internal floor)
SHELVES/DOOR	2

ELECTRICAL

POWER SUPPLY	10 amp	
FRIDGE MODELS	RUNNING AMPS	2.1

GAS TYPE

REFRIGERANT	FRIDGE MODELS	R134a
-------------	---------------	-------

*** For **OPTIONS** refer to the current Williams Price Guide