

# FGC1



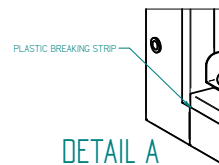
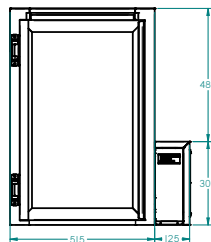
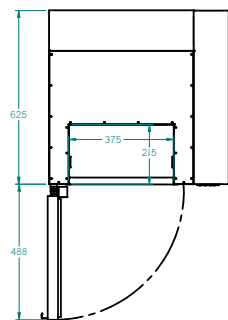
CATEGORY GENERAL COUNTERS & BACK BARS

RANGE **Glass chiller  
slimline**

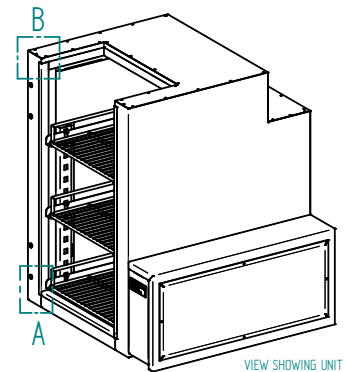
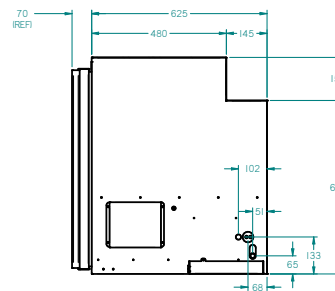
UNIT REFRIGERATOR

TYPE REMOTE

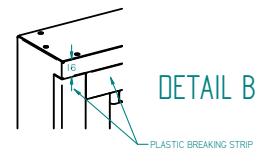
DOORS 1



VIEW WITH SIDE HOUSING OMITTED FOR CLARITY  
PIPE EXITS SHOWN



VIEW SHOWING UNIT  
WITHOUT DOOR & HINGES



## SPECIFICATIONS

CAPACITY - BASKETS/DOOR (NOT INCLUDED) (BASED ON 150MM H GLASSES)	3 Baskets
TEMPERATURE	1°C / 4°C
SHELF LOAD	YES
DIMENSIONS - W X D X H (BODY HEIGHT) MM (DEPTH INCLUDES DOOR)	640 W x 695 D x 780 H
WEIGHT UNPACKED (KG)	60

## STANDARD INCLUSIONS \*\*\*

DOOR TYPE	Standard: GD (Glass Door)
FINISH (INTERIOR AND EXTERIOR EXCLUDING REAR AND UNDER)	SS (Stainless Steel)
SHELF SLIDES/DOOR - SHELF LOAD MODEL ONLY	3

## ELECTRICAL

POWER SUPPLY	10 amp
POWER CABLE LENGTH (METRES)	2
RUNNING AMPS	0.4

## GAS TYPE

REFRIGERANT	R448a
-------------	-------

## REFRIGERATION WATTAGES FOR REMOTE UNITS

REMOTE WATTAGES	300 @ -5° C SST
-----------------	-----------------