

Technical data sheet for

## ELECTRIC COOKTOPS 600mm

RN8400E-B, RN8400E-CB, RN8400E-LS, RN8403E-B, RN8403E-CB, RN8403E-LS, RN8406E-B, RN8406E-CB, RN8406E-LS



RN8400E-B

- Heavy-duty construction
- 2.4kW open radiant elements
- Optional Hot Plate elements
- 300mm and 600mm griddle plate options
- 3 models of base unit
- Stainless steel exterior
- Easy clean
- Easy service
- Fully modular
- Low back models (RNL) available

### Overall Construction

#### COOKTOP

- Welded hob with 1.5mm 304 stainless steel bull nose
- Splashback and side panels 1.2mm 304 stainless steel
- Front panels 0.9mm 304 stainless steel
- 2.4kW open radiant elements in heavy-duty welded element frames
- Vitreous enamelled element module and hob spill trays
- Hot Plate elements with machine finished 8mm steel plate (optional extra)
- 12mm thick mild steel griddle plates
- 2.5mm 304 stainless steel griddle splash guards
- Aluminised steel internal construction

#### BENCH MOUNT (SUPPLIED AS -B MODEL)

- Four 63mm dia. heavy-duty 1.2mm 304 stainless steel bench legs with adjustable feet
- Adjustable height 80mm – 105mm

#### CABINET BASE (SUPPLIED AS -CB MODEL)

- Fully modular for match suite finish
- Double skin 0.9mm 304 stainless steel interior and exterior
- Optional GN 1/1 4 position racking kit
- 63mm dia. heavy-duty 1.2mm 304 stainless steel legs with adjustable feet

#### LEG STAND (SUPPLIED AS -LS MODEL)

- Fully modular for matched suite finish
- Framed top for connection to Cooktop
- 63mm dia. heavy-duty 1.2mm 304 stainless steel legs with adjustable feet
- Fully modular framed stand shelf with 0.9mm 304 stainless steel finish
- Quick assembly design (no tools required)

### Controls

- Large easy use control knob - heat resistant reinforced
- Easy view control settings on knob
- Radiant elements with energy regulator controls
- Hot Plate elements with energy regulator controls
- 50-320°C thermostat per 300mm griddle section
- Indicator lights for power and heating for each element control

### Cleaning and Servicing

- All models with easy clean stainless steel external finish
- Removable vitreous enamelled element module and hob spill trays
- Hinge up element and griddle sections
- Access to all parts from front of unit

Technical data sheet for  
**ELECTRIC COOKTOPS 600mm**



**Specifications**

**COOKTOP**

- 2.4 kW Open Radiant elements
- 2.0 kW Hot Plate elements
- 3.6 kW Griddle elements  
(per 300mm griddle section)

**GRIDDLE PLATE**

- 300mm Griddle cooking surface
- 292mm x 475mm, 1387cm<sup>2</sup>
- 600mm Griddle cooking surface
- 592mm x 475mm, 2812cm<sup>2</sup>

**Electrical requirements**

- RN8400E
- 9.6 kW, 400-415Vac, 50/60hz, 2P+N+E, 20A/phase
- RN8403E
- 8.4 kW, 400-415Vac, 50/60hz, 2P+N+E, 20A/phase max.
- RN8406E
- 7.2 kW, 230-240Vac, 50/60hz, 1P+N+E, 30A

**Electrical connection**

- 130mm from RH side, 31mm from rear
- 85mm from bench height on bench models
- 740mm from floor on leg stand and cabinet base models

**DIMENSIONS**

**Bench models**

- Width 600mm
- Depth 805mm
- Height 315mm
- Incl. splashback 530mm
- Incl. low back 370mm

**All models (excluding Bench model)**

- Width 600mm
- Depth 805mm
- Height 915mm
- Incl. splashback 1130mm
- Incl. low back 970mm

**NETT WEIGHT**

**Bench and Leg Stand models**

74kg

**Cabinet Base models**

79kg

**PACKING DATA**

**Bench and Leg Stand models**

- 0.37m<sup>3</sup>, 110kg
- Width 645mm
- Depth 870mm
- Height 665mm

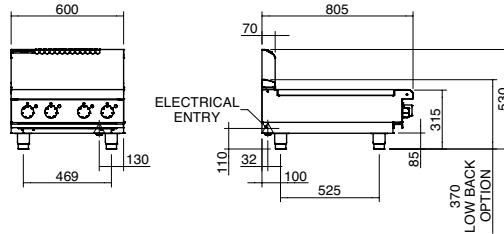
**Cabinet Base models**

- 0.70m<sup>3</sup>, 131kg
- Width 870mm
- Depth 645mm
- Height 1255mm

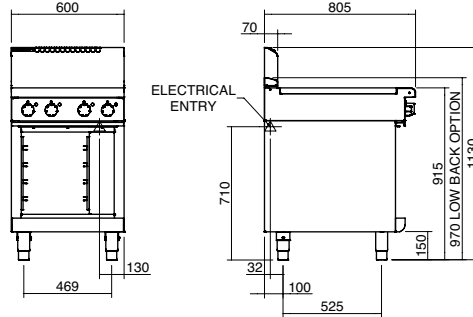
**OPTIONS AT EXTRA COST**

- Hot Plate elements  
(replace individual open radiant elements)
- Ribbed griddle plates

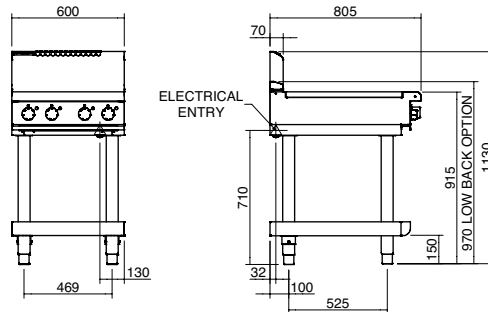
**RN8400E-B  
BENCH MODEL**



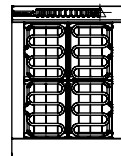
**RN8400E-CB  
CABINET BASE**



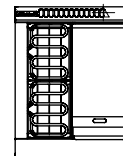
**RN8400E-LS  
LEG STAND**



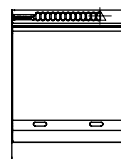
**RN8400E**



**RN8403E**



**RN8406E**



[moffat.com.au](http://moffat.com.au)  
[moffat.co.nz](http://moffat.co.nz)

**Australia**  
[moffat.com.au](http://moffat.com.au)

**Moffat Pty Limited**

Victoria/Tasmania  
 740 Springvale Road  
 Mulgrave, Victoria 3170  
 Telephone +613-9518 3888  
 Facsimile +613-9518 3833  
[vsales@moffat.com.au](mailto:vsales@moffat.com.au)

New South Wales  
 Telephone +612-8833 4111  
[nswsales@moffat.com.au](mailto:nswsales@moffat.com.au)

South Australia  
 Telephone +613-9518 3888  
[vsales@moffat.com.au](mailto:vsales@moffat.com.au)

Queensland  
 Telephone +617-3630 8600  
[qldsales@moffat.com.au](mailto:qldsales@moffat.com.au)

Western Australia  
 Telephone +618-9413 2400  
[wasaes@moffat.com.au](mailto:wasaes@moffat.com.au)

**New Zealand**  
[moffat.co.nz](http://moffat.co.nz)

**Moffat Limited**

Rolleston  
 45 Illinois Drive  
 Izone Business Hub  
 Rolleston 7675  
 Telephone +64 3-983 6600  
 Facsimile +64 3-983 6660  
[sales@moffat.co.nz](mailto:sales@moffat.co.nz)

Auckland  
 Telephone +64 9-574 3150  
[sales@moffat.co.nz](mailto:sales@moffat.co.nz)



In line with policy to continually develop and improve its products, Moffat Limited reserves the right to change specifications and design without notice.

© Copyright Moffat Ltd  
 AN.W8.08/19

an Ali Group Company



The Spirit of Excellence