

Technical data sheet for

## ELECTRIC COOKTOPS 600mm

RN8400E-B, RN8400E-CB, RN8400E-LS, RN8403E-B, RN8403E-CB, RN8403E-LS, RN8406E-B, RN8406E-CB, RN8406E-LS



RN8400E-B

- Heavy-duty construction
- 2.4kW open radiant elements
- Optional Hot Plate elements
- 300mm and 600mm griddle plate options
- 3 models of base unit
- Stainless steel exterior
- Easy clean
- Easy service
- Fully modular
- Low back models (RNL) available

### Overall Construction

#### COOKTOP

- Welded hob with 1.5mm 304 stainless steel bull nose
- Splashback and side panels 1.2mm 304 stainless steel
- Front panels 0.9mm 304 stainless steel
- 2.4kW open radiant elements in heavy-duty welded element frames
- Vitreous enamelled element module and hob spill trays
- Hot Plate elements with machine finished 8mm steel plate (optional extra)
- 12mm thick mild steel griddle plates
- 2.5mm 304 stainless steel griddle splash guards
- Aluminised steel internal construction

#### BENCH MOUNT (SUPPLIED AS -B MODEL)

- Four 63mm dia. heavy-duty 1.2mm 304 stainless steel bench legs with adjustable feet
- Adjustable height 80mm – 105mm

#### CABINET BASE (SUPPLIED AS -CB MODEL)

- Fully modular for match suite finish
- Double skin 0.9mm 304 stainless steel interior and exterior
- Optional GN 1/1 4 position racking kit
- 63mm dia. heavy-duty 1.2mm 304 stainless steel legs with adjustable feet

#### LEG STAND (SUPPLIED AS -LS MODEL)

- Fully modular for matched suite finish
- Framed top for connection to Cooktop
- 63mm dia. heavy-duty 1.2mm 304 stainless steel legs with adjustable feet
- Fully modular framed stand shelf with 0.9mm 304 stainless steel finish
- Quick assembly design (no tools required)

### Controls

- Large easy use control knob - heat resistant reinforced
- Easy view control settings on knob
- Radiant elements with energy regulator controls
- Hot Plate elements with energy regulator controls
- 50-320°C thermostat per 300mm griddle section
- Indicator lights for power and heating for each element control

### Cleaning and Servicing

- All models with easy clean stainless steel external finish
- Removable vitreous enamelled element module and hob spill trays
- Hinge up element and griddle sections
- Access to all parts from front of unit

# Technical data sheet for ELECTRIC COOKTOPS 600mm



## Specifications

### COOKTOP

- 2.4 kW Open Radiant elements
- 2.0 kW Hot Plate elements
- 3.6 kW Griddle elements  
(per 300mm griddle section)

### GRIDDLE PLATE

- 300mm Griddle cooking surface
- 292mm x 475mm, 1387cm<sup>2</sup>
- 600mm Griddle cooking surface
- 592mm x 475mm, 2812cm<sup>2</sup>

### Electrical requirements

- RN8400E  
9.6 kW, 400-415Vac, 50/60hz, 2P+N+E,  
20A/phase
- RN8403E  
8.4 kW, 400-415Vac, 50/60hz, 2P+N+E,  
20A/phase max.
- RN8406E  
7.2 kW, 230-240Vac, 50/60hz, 1P+N+E, 30A

### Electrical connection

- 130mm from RH side, 31mm from rear
- 85mm from bench height on bench models
- 740mm from floor on leg stand and cabinet base models

### DIMENSIONS

#### Bench models

- Width 600mm
- Depth 805mm
- Height 315mm
- Incl. splashback 530mm
- Incl. low back 370mm

#### All models (excluding Bench model)

- Width 600mm
- Depth 805mm
- Height 915mm
- Incl. splashback 1130mm
- Incl. low back 970mm

### NETT WEIGHT

#### Bench and Leg Stand models

74kg

#### Cabinet Base models

79kg

### PACKING DATA

#### Bench and Leg Stand models

- 0.37m<sup>3</sup>, 110kg
- Width 645mm
- Depth 870mm
- Height 665mm

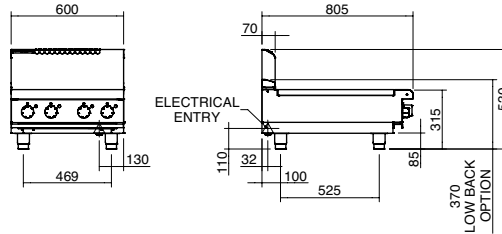
#### Cabinet Base models

- 0.70m<sup>3</sup>, 131kg
- Width 870mm
- Depth 645mm
- Height 1255mm

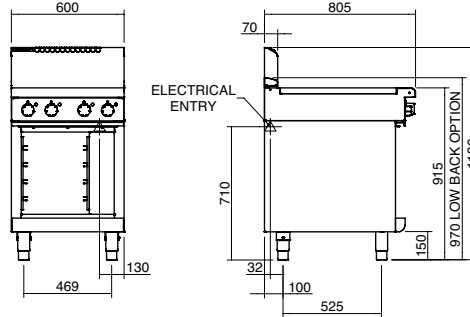
### OPTIONS AT EXTRA COST

- Hot Plate elements  
(replace individual open radiant elements)
- Ribbed griddle plates

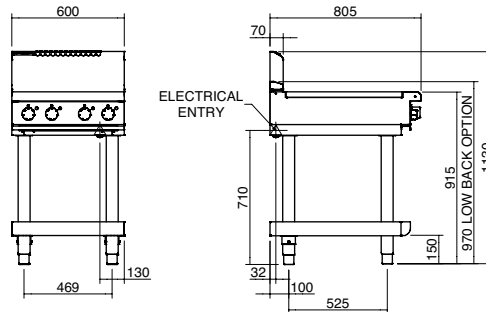
### RN8400E-B BENCH MODEL



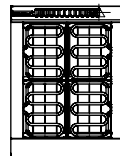
### RN8400E-CB CABINET BASE



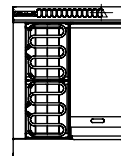
### RN8400E-LS LEG STAND



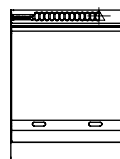
### RN8400E



### RN8403E



### RN8406E



moffat.com.au  
moffat.co.nz

Australia  
moffat.com.au

### Moffat Pty Limited

Victoria/Tasmania  
740 Springvale Road  
Mulgrave, Victoria 3170  
Telephone +613-9518 3888  
Facsimile +613-9518 3833  
vsales@moffat.com.au

New South Wales  
Telephone +612-8833 4111  
nswsales@moffat.com.au

South Australia  
Telephone +613-9518 3888  
vsales@moffat.com.au

Queensland  
Telephone +617-3630 8600  
qldsales@moffat.com.au

Western Australia  
Telephone +618-9413 2400  
wasales@moffat.com.au

New Zealand  
moffat.co.nz

### Moffat Limited

Rolleston  
45 Illinois Drive  
Izone Business Hub  
Rolleston 7675  
Telephone +64 3-983 6600  
Facsimile +64 3-983 6660  
sales@moffat.co.nz

Auckland  
Telephone +64 9-574 3150  
sales@moffat.co.nz



In line with policy to continually develop and improve its products, Moffat Limited reserves the right to change specifications and design without notice.

© Copyright Moffat Ltd  
AN.W8.08/19

an Ali Group Company



The Spirit of Excellence