

Technical data sheet for

GRIDDLE TOASTER 600mm

GT8600G



- Griddle plate with toaster under
- 16mm griddle plate
- Individual dual burners
- Large capacity grease collection drawer
- Stainless steel exterior
- Easy clean
- Easy service
- Fully modular

Overall Construction

- 16mm machined surface mild steel griddle plate
- 2.5mm stainless steel integral splashguard as sides and rear
- 2.5mm stainless steel grease channel at front of plate
- Stainless steel grease collection drawer below mid shelf
- Dual burners with individual pilot and flame failure
- Stainless steel radiant reflectors on burners for efficient toasting
- Welded 1.5mm 304 stainless steel bull nose
- Splashback and hob sides 1.2mm 304 stainless steel
- Front panels and sides 0.9mm 304 stainless steel
- Toasting compartment 1.2mm high temperature aluminised steel
- Base shelf and mid shelf finished in 0.9mm 304 stainless steel
- Vitreous enamel steel spill tray
- Chrome wire toasting rack with integral crumb tray
- Chrome wire rack supports
- 150mm legs in 63mm dia. heavy-duty 1.2mm 304 stainless steel with adjustable feet

Controls

- Large easy use control knobs - heat resistant reinforced
- Easy view control settings on knobs
- Dual controls with variable high to low burner setting
- Flame failure pilot burners
- Piezo ignition to pilot burners

Cleaning and Servicing

- Plate top side weld sealed to splashguard
 - Removable grill rack system, rack supports, and crumb tray
 - Removable grease drawer
 - Easy clean stainless steel exterior
 - Access to all parts from front of unit
-

Technical data sheet for GRIDDLE TOASTER 600mm



Specifications

Burners

2 x 22MJ tubular burners with grill radiants

Gas power

44MJ/hr, 12.2kW

Plate

16mm thick mild steel

Cooking surface 590mm x 520mm, 3068cm²

Maximum plate temperature at centre 400°C

Toaster dimensions

Rack size 430mm x 470mm

Rack positions 4

Gas connection

R 1/2 (BSP) male

130mm from RH side, 32mm from rear,
and 655mm from floor

Optional underside connection
(refer specification drawing)

All units supplied with Natural and LP gas regulator

DIMENSIONS

Width 600mm

Depth 805mm

Height 915mm

Incl. splashback 1130mm

NETT WEIGHT

115kg

PACKING DATA

0.70m³, 165kg

Width 645mm

Depth 870mm

Height 1255mm

GAS TYPES

Available in Natural gas and LP gas

Please specify when ordering

Units supplied complete with gas type
conversion kits

Other gas types on request

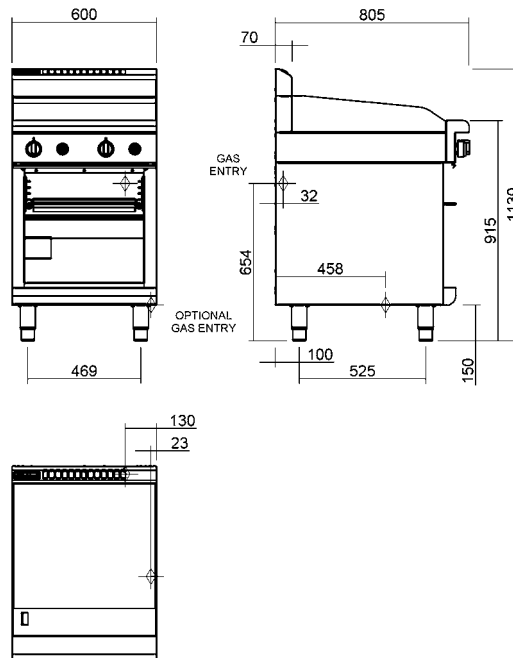
OPTIONS AT EXTRA COST

Joining caps

Castors

Plinth mounting

GT8600G



moffat.com.au
moffat.co.nz

Australia
moffat.com.au

Moffat Pty Limited

Victoria/Tasmania
740 Springvale Road
Mulgrave, Victoria 3170
Telephone +613-9518 3888
Facsimile +613-9518 3833
vsales@moffat.com.au

New South Wales
Telephone +612-8833 4111
nswsales@moffat.com.au

South Australia
Telephone +613-9518 3888
vsales@moffat.com.au

Queensland
Telephone +617-3630 8600
qldsales@moffat.com.au

Western Australia
Telephone +618-9413 2400
wasaes@moffat.com.au

New Zealand

moffat.co.nz

Moffat Limited

Rolleston
45 Illinois Drive
Izone Business Hub
Rolleston 7675
Telephone +64 3-983 6600
Facsimile +64 3-983 6660
sales@moffat.co.nz

Auckland
Telephone +64 9-574 3150
sales@moffat.co.nz



Cert. No. 6869

In line with policy to continually develop
and improve its products, Moffat
Limited reserves the right to change
specifications and design without notice.

© Copyright Moffat Ltd
AN.W8.08/19

an Ali Group Company



The Spirit of Excellence