

Technical data sheet for

## GAS SALAMANDER

SN8200G

---



- Powerful infra-red gas burners
- Left and right individual burner controls
- Branding plate option
- Wall mounting bracket
- Removable base for easy cleaning

### Overall Construction

- Monocoque construction
- External panels of 0.9mm 304 grade stainless steel
- Stainless steel tray under grilling area with grease trough
- Two individually controlled 15.5 MJ/hr infra-red burners
- Suitable for bench or wall mounting

### Racking

- Four position racking (flat or inclined)
- Adjustable chrome wire rack with heat resistant handles

### Controls

- Large easy use controls
- Heat resistant reinforced control knobs
- Variable high to low burner control
- Pilot burner with flame failure protection

### Cleaning and Servicing

- Access to all parts from front of unit
  - Stainless steel and vitreous porcelain enamel surfaces used throughout
  - Base removable for easy cleaning
-

# Technical data sheet for GAS SALAMANDER

## Specifications

### Burners

2 x 15.5 MJ/hr

### Maximum consumption

31.5MJ/hr, 8.75kW

### Gas connection

R 1/2 BSP female, 130mm from right side, 25mm from rear

### Dimensions

Width 900mm

Depth 424mm

(455mm with wall mounting bracket)

Height 456mm

### Cooking area

Rack size 610mm x 310mm, 1890cm<sup>2</sup>

Branding Plate 610mm x 310mm, 1890cm<sup>2</sup>

### Nett Weight

42kg

### Packing data

0.31m<sup>3</sup>, 69kg

Width 945mm

Depth 520mm

Height 635mm

### Gas types

Available in both Natural gas and LP gas

Please specify when ordering

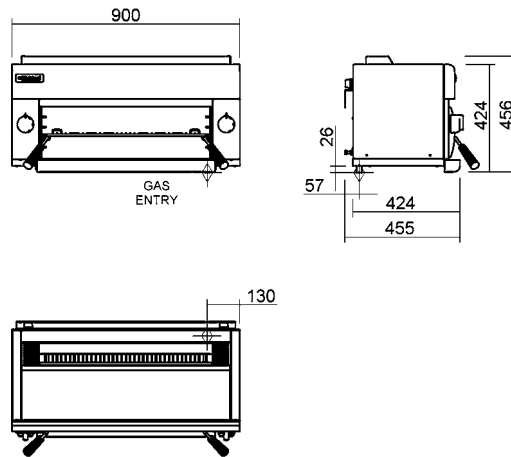
All units are supplied with gas conversion kits

Options at extra cost

100mm high feet for bench mounting

Branding kit - includes one double-sided,

## SN8200G



[moffat.com.au](http://moffat.com.au)  
[moffat.co.nz](http://moffat.co.nz)

Australia  
[moffat.com.au](http://moffat.com.au)

### Moffat Pty Limited

Victoria/Tasmania  
740 Springvale Road  
Mulgrave, Victoria 3170  
Telephone +613-9518 3888  
Facsimile +613-9518 3833  
[vsales@moffat.com.au](mailto:vsales@moffat.com.au)

New South Wales  
Telephone +612-8833 4111  
[nswsales@moffat.com.au](mailto:nswsales@moffat.com.au)

South Australia  
Telephone +613-9518 3888  
[vsales@moffat.com.au](mailto:vsales@moffat.com.au)

Queensland  
Telephone +617-3630 8600  
[qldsales@moffat.com.au](mailto:qldsales@moffat.com.au)

Western Australia  
Telephone +618-9413 2400  
[wasaes@moffat.com.au](mailto:wasaes@moffat.com.au)

New Zealand  
[moffat.co.nz](http://moffat.co.nz)

### Moffat Limited

Rolleston  
45 Illinois Drive  
Izone Business Hub  
Rolleston 7675  
Telephone +64 3-983 6600  
Facsimile +64 3-983 6660  
[sales@moffat.co.nz](mailto:sales@moffat.co.nz)

Auckland  
Telephone +64 9-574 3150  
[sales@moffat.co.nz](mailto:sales@moffat.co.nz)



Cert. No. 4337

In line with policy to continually develop and improve its products, Moffat Limited reserves the right to change specifications and design without notice.

© Copyright Moffat Ltd  
AN.W8.08/19

an Ali Group Company



The Spirit of Excellence