

Technical data sheet for

INDUCTION COOKTOP 450mm

- ROUND INDUCTION ZONE

IN8100R3-B, IN8100R3-LS, IN8100R3-CB, IN8100R5-B, IN8100R5-LS, IN8100R5-CB,



IN8100R5-LS

- Heavy-duty construction
- One 270mm dia round induction zone
- 3.5kW or 5kW heating
- Automatic pan detection switches induction zone off when pan removed
- 3 models of base unit
- Stainless steel exterior
- Easy clean
- Easy service
- Fully modular
- Low back models (INL) available

Induction Zone Options

- R3 - 3.5kW round induction
- R5 - 5kW round induction

Series Options

- IN - Standard splashback models
- INL - Low back models
- INB - Bold vitreous enamel colour front finish on standard splashback models
- INLB - Bold vitreous enamel colour front finish on low back models

Overall Construction

COOKTOP

- Welded hob with 2.0mm stainless steel hob top
- Splashback and side panels 1.2mm stainless steel
- Front panels 0.9mm stainless steel
- 6mm thick ceramic glass cooking surface

BENCH MOUNT (supplied as – B model)

- Four 63mm dia. heavy-duty 1.2mm 304 stainless steel bench legs with adjustable feet
- Adjustable height 80mm – 105mm

LEG STAND (supplied as – LS model)

- Fully modular for matched suite finish
- Framed top for connection to Cooktop
- 63mm dia. heavy-duty 1.2mm 304 stainless steel legs with four adjustable feet
- Fully modular framed stand shelf with 0.9mm 304 stainless steel finish
- Quick assembly design

CABINET BASE (supplied as – CB model)

- Fully modular for match suite finish
- Double skin 0.9mm 304 stainless steel interior and exterior
- 63mm dia. heavy-duty 1.2mm 304 stainless steel legs with four adjustable feet

Controls

- Large easy use control knob
- Infinitely variable power controls for each induction zone
- Heating ON indicator lights (green) including pan detection indication
- Error mode indicator light (green)

Cleaning and Servicing

- All models with easy clean stainless steel external finish
- Fully sealed cooking surface
- Removable full stainless steel air intake filters (induction cooling)
- Front service access

Technical data sheet for

INDUCTION COOKTOP 450mm

- ROUND INDUCTION ZONE

IN8100R3-B, IN8100R3-LS, IN8100R3-CB, IN8100R5-B, IN8100R5-LS, IN8100R5-CB,

Specifications

COOKTOP

1 x 3.5kW induction zone
or
1 x 5.0kW induction zone
Ø 270mm induction zones

Electrical requirements

IN8100R3

3.5kW, 230-240V, 50/60Hz, 1P+N+E

15A / phase

IN8100R5

5.0kW, 400-415V, 50/60Hz, 3P+E

7A / phase

DIMENSIONS

Bench model

Width 450mm

Depth 805mm

Height 355mm

Incl. splashback 570mm

Incl. low back 410mm

All models (excluding Bench model)

Width 450mm

Depth 805mm

Height 915mm

Incl. splashback 1130mm

Incl. low back 970mm

NETT WEIGHT

88kg

PACKING DATA

0.54m³, 130kg

Width 495mm

Depth 865mm

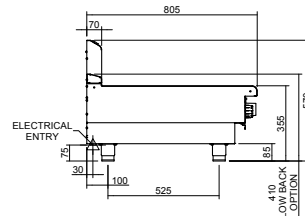
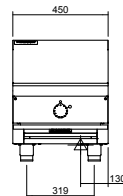
Height 1255mm

OPTIONS AT EXTRA COST

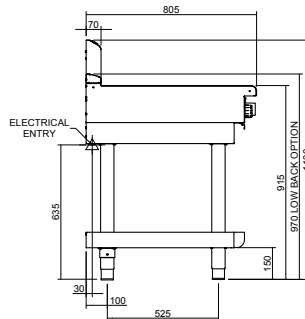
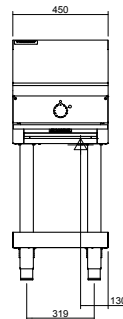
Castors

Plinth mounting

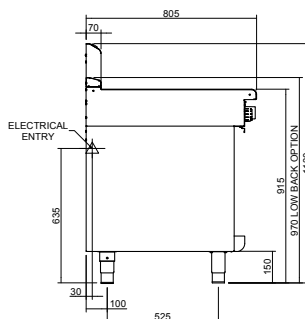
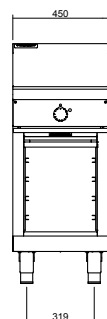
IN8100-B



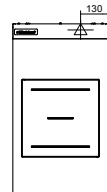
IN8100-LS



IN8100-CB



IN8100R3
IN8100R5



moffat.com.au

moffat.co.nz

Australia

moffat.com.au

Moffat Pty Limited

Victoria/Tasmania

740 Springvale Road

Mulgrave, Victoria 3170

Telephone +613-9518 3888

Facsimile +613-9518 3833

vsales@moffat.com.au

New South Wales

Telephone +612-8833 4111

nswsales@moffat.com.au

South Australia

Telephone +613-9518 3888

vsales@moffat.com.au

Queensland

Telephone +617-3630 8600

qldsales@moffat.com.au

Western Australia

Telephone +618-9413 2400

wasales@moffat.com.au

New Zealand

moffat.co.nz

Moffat Limited

Rolleston

45 Illinois Drive

Izone Business Hub

Rolleston 7675

Telephone +64 3-983 6600

Facsimile +64 3-983 6660

sales@moffat.co.nz

Auckland

Telephone +64 9-574 3150

sales@moffat.co.nz



In line with policy to continually develop and improve its products, Moffat Limited reserves the right to change specifications and design without notice.

© Copyright Moffat Ltd
AN.W8.01/22

an Ali Group Company



The Spirit of Excellence