

WBCF40

**INDUSTRY
KITCHENS**

www.industrykitchens.com.au 1800 611 058



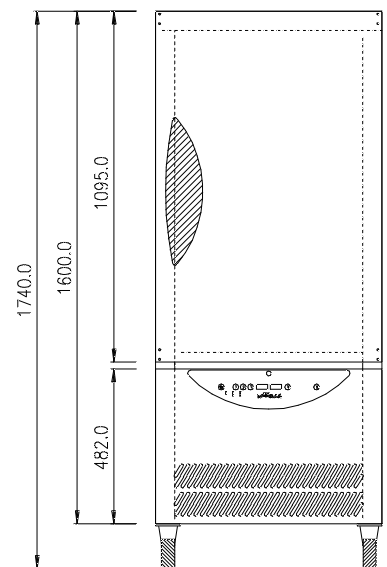
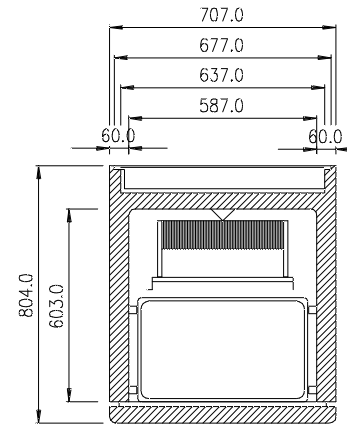
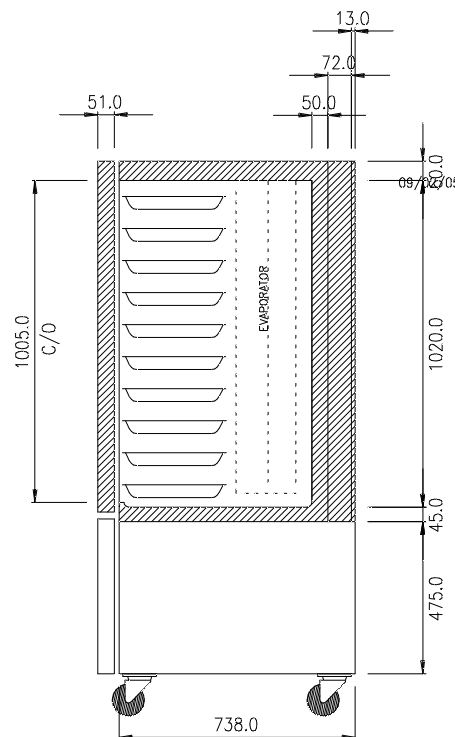
CATEGORY BLAST CHILLER/FREEZERS

RANGE **Blast Chiller
Reach In**

UNIT CHILLER/FREEZER

TYPE SELF CONTAINED

DOORS 1



SPECIFICATIONS

CAPACITY - CHILLING/FREEZING PER 90/240 MIN CYCLE #	40 kg
CAPACITY - 1/1 GN PANS	10
DIMENSIONS - W X D X H	(ON CASTORS) MM
WEIGHT UNPACKED (KG)	190
DOOR TYPE	Standard: SD (Solid Door)
FINISH (INTERIOR AND EXTERIOR EXCLUDING REAR AND UNDER)	SS (Stainless Steel)
SHELF SLIDES PANS AND SHELVES	TO SUIT 1/1 GN
	10

ELECTRICAL

POWER SUPPLY	15 amp
FRIDGE MODELS	RUNNING AMPS
	9.9

GAS TYPE

REFRIGERANT	R404a
-------------	-------

Based on Blast chilling of 50 mm max depth of uncovered dense food such as mashed potato. Times will vary depending on the container and food types as well as the thermal conductivity of the food.