

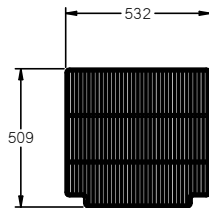
HP3G

INDUSTRY KITCHENS

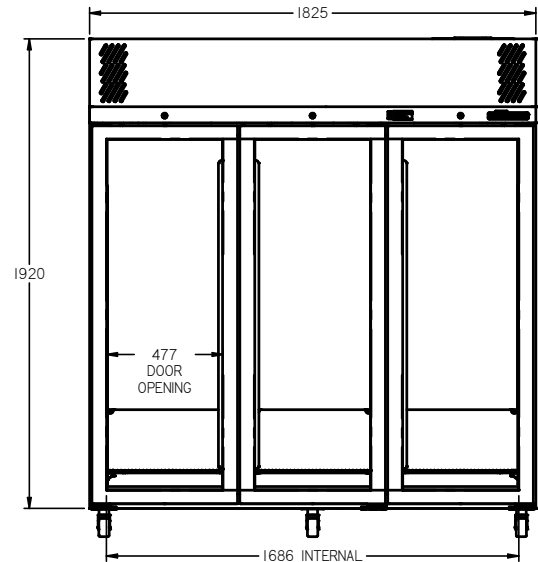
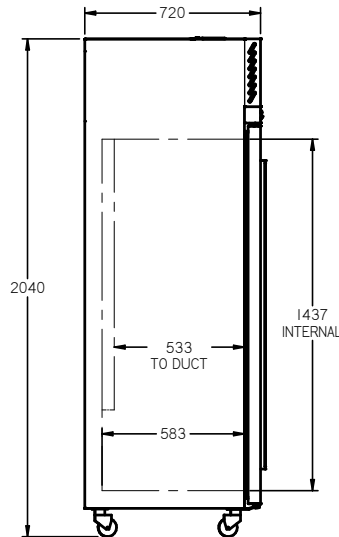
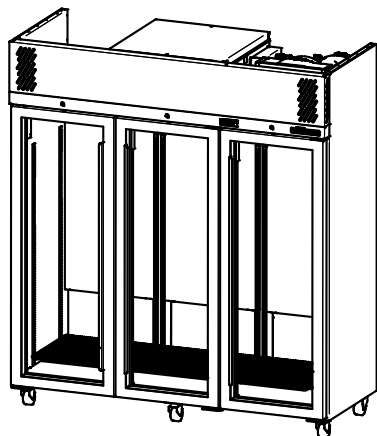
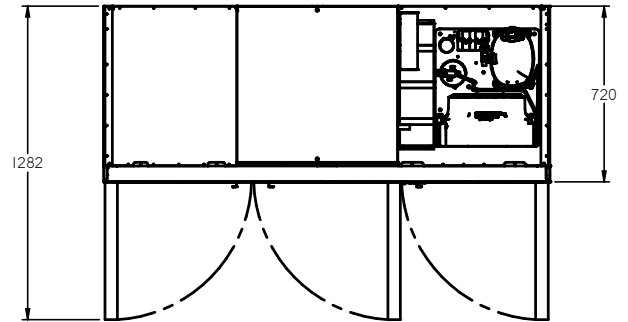


www.industrykitchens.com.au 1800 611 058

CATEGORY	GENERAL UPRIGHTS
RANGE	Pearl
UNIT	REFRIGERATOR
TYPE	SELF CONTAINED
DOORS	3



SHELF DETAIL



SPECIFICATIONS

CAPACITY LITRES	1510
TEMPERATURE	1°C / 4°C
DIMENSIONS - W X D X H (ON 120 MM H CASTORS) MM	1825 W x 720 D x 2040 H
WEIGHT UNPACKED (KG)	290

STANDARD INCLUSIONS ***

DOOR TYPE	G (Glass Door), Optional: PT (Pass Through)
FINISH (INTERIOR AND EXTERIOR EXCLUDING REAR AND UNDER)	W (White), B (Black), S (Stainless Steel)
SHELVES/DOOR (ADJUSTABLE STRIPS AND CLIPS)	4

GAS TYPE

REFRIGERANT	R134a
-------------	-------

ELECTRICAL

POWER SUPPLY	10 amp
POWER CABLE LENGTH (METRES)	2
RUNNING AMPS	5.4

PERFORMANCE

KWH/24HR READING	11.3
TEST STANDARD	ISO 23953 (Display)
TEST CONDITIONS	3 M1
AMBIENT RATING	43°C

REFRIGERATION WATTAGES FOR OPTIONAL REMOTE UNITS

FRIDGE MODELS - GLASS DOORS (R404A)	1120 @ -5°C SST
-------------------------------------	-----------------

*** For **OPTIONS** refer to the current Williams Price Guide