

HO2USSBA

**INDUSTRY
KITCHENS**

www.industrykitchens.com.au 1800 611 058



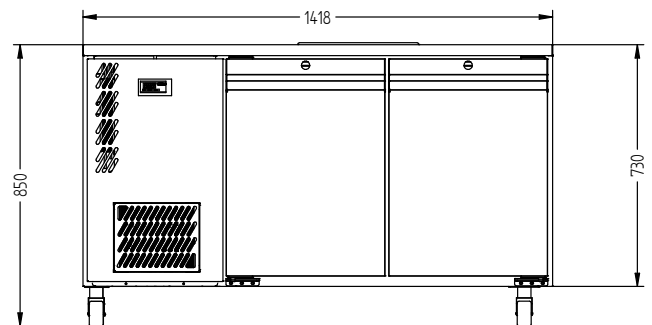
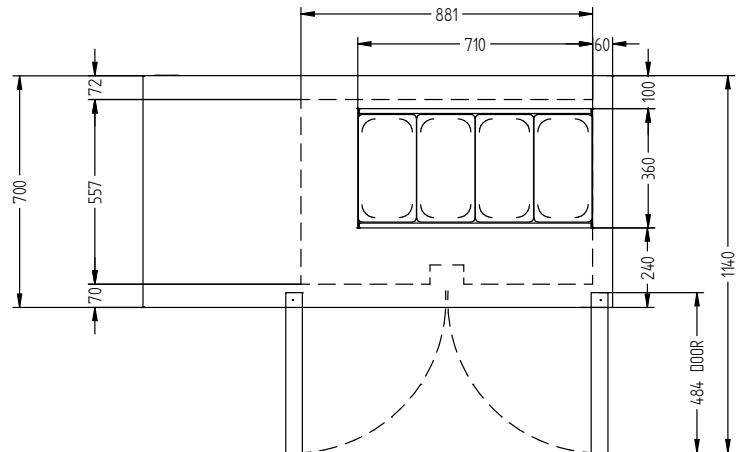
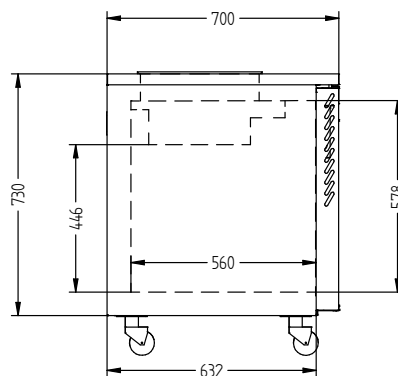
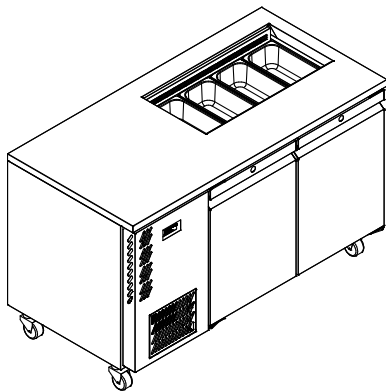
CATEGORY FOODSERVICE COUNTERS

RANGE **Opal**

UNIT REFRIGERATOR

TYPE SELF CONTAINED

DOORS 2



SPECIFICATIONS

CAPACITY LITRES	350
TEMPERATURE	1°C / 4°C
FRONT BREATHING	YES
DIMENSIONS - W X D X H (ON 120 MM H CASTORS) MM	1418 W x 700 D x 850 H
WEIGHT UNPACKED (KG)	130

STANDARD INCLUSIONS ***

DOOR TYPE	Standard: SD (Solid Door) Optional: DR (Drawer)
FINISH (INTERIOR AND EXTERIOR EXCLUDING REAR AND UNDER)	SS (Stainless Steel)
SHELVES/DOOR	1
BLOWN AIRWELL (100MM DEEP 1/3 PANS INCLUDED)	4 X 1/3 PANS

ELECTRICAL

POWER SUPPLY	10 amp
POWER CABLE LENGTH (METRES)	2
RUNNING AMPS	3.9

GAS TYPE

REFRIGERANT	R134a
-------------	-------

*** For **OPTIONS** refer to the current Williams Price Guide