

BC2SS-80

INDUSTRY
KITCHENS

www.industrykitchens.com.au 1800 611 058

williams

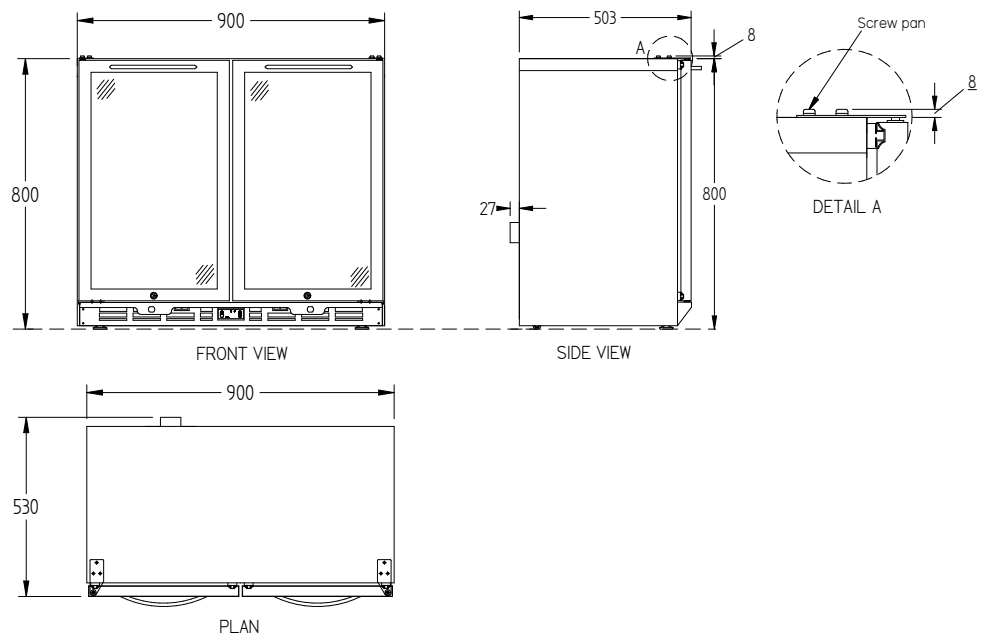
CATEGORY GENERAL COUNTERS
& BACK BARS

RANGE **Bottle cooler**

UNIT REFRIGERATOR

TYPE SELF CONTAINED

DOORS 2



SPECIFICATIONS

CAPACITY LITRES	370
TEMPERATURE	4°C / 10°C
DIMENSIONS - W X D X H MM	900 W x 530 D x 800 H
WEIGHT UNPACKED (KG)	90
DOOR TYPE	Standard: GD (Glass Door)
FINISH (INTERIOR AND EXTERIOR EXCLUDING REAR AND UNDER)	SS (Stainless Steel)
SHELVES/DOOR	2

ELECTRICAL

POWER SUPPLY	10 amp
POWER CABLE LENGTH (METRES)	2
RUNNING AMPS	2

GAS TYPE

REFRIGERANT	R134a
--------------------	-------

*** For **OPTIONS** refer to the current Williams Price Guide

williams-refrigeration.com.au