

# BC1SS-80

INDUSTRY  
KITCHENS

www.industrykitchens.com.au 1800 611 058

williams

CATEGORY

GENERAL COUNTERS  
& BACK BARS

RANGE

**Bottle cooler**

UNIT

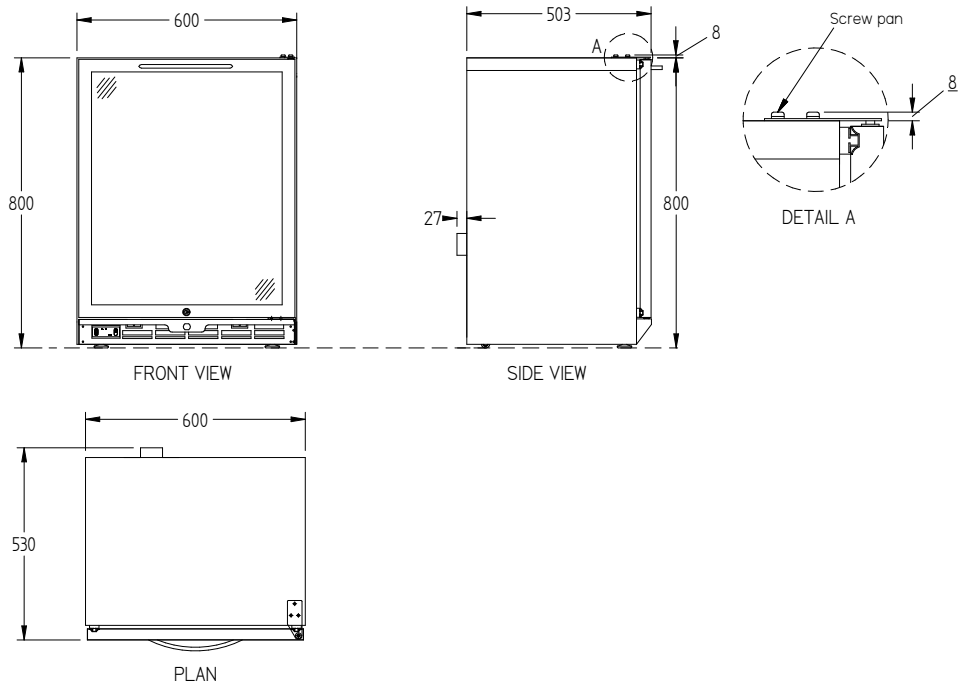
REFRIGERATOR

TYPE

SELF CONTAINED

DOORS

1



## SPECIFICATIONS

<b>CAPACITY LITRES</b>	190
<b>TEMPERATURE</b>	4°C / 10°C
<b>DIMENSIONS - W X D X H MM</b>	600 W x 530 D x 800 H
<b>WEIGHT UNPACKED (KG)</b>	60
<b>DOOR TYPE</b>	Standard: GD (Glass Door)
<b>FINISH (INTERIOR AND EXTERIOR EXCLUDING REAR AND UNDER)</b>	SS (Stainless Steel)
<b>SHELVES/DOOR</b>	2
<b>ELECTRICAL</b>	
<b>POWER SUPPLY</b>	10 amp
<b>POWER CABLE LENGTH (METRES)</b>	2
<b>RUNNING AMPS</b>	1.8
<b>GAS TYPE</b>	
<b>REFRIGERANT</b>	R134a

\*\*\* For **OPTIONS** refer to the current Williams Price Guide

williams-refrigeration.com.au