

# VOGUE

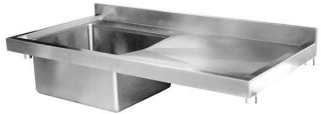


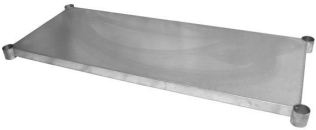

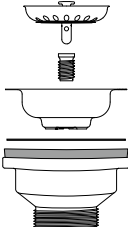
## Stainless Steel Sink Assembly Instructions

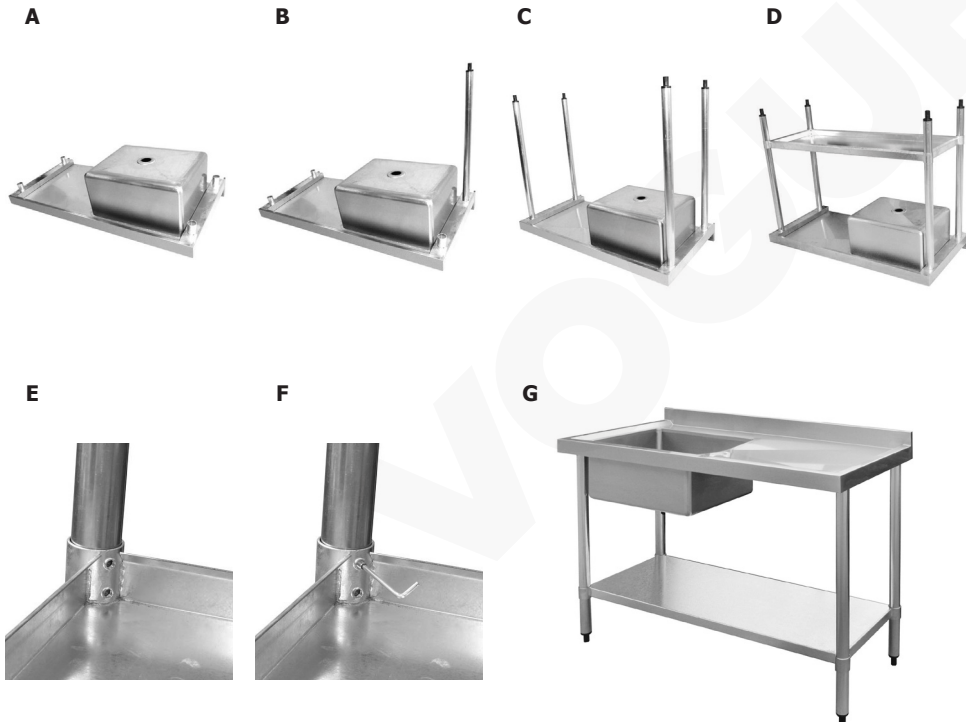


### Model:

HC900/HC901/HC902/HC903/HC904/HC905/HC906/HC907/HC908/HC909/  
HC912/HC913/HC914/HC915/HC916/HC917/HC918/HC919/HC920/HC921

Model featured - HC903

	<p>x1</p>		<p>x16</p>
	<p>x4</p>		<p>x1</p>
	<p>x1</p>		<p>x1</p>



## Safety Instructions

Whilst all care has been taken to remove sharp edges, care must be taken when cleaning or handling the sink to prevent risk of injury from exposed metal edges.

Do not overload the sink top or shelf causing it to bend.

## Product Description

- HC900 - Vogue Single Bowl Sink R/H Drainer - 1000mm (90mm Drain)
- HC901 - Vogue Single Bowl Sink L/H Drainer - 1000mm (90mm Drain)
- HC902 - Vogue Single Bowl Sink L/H Drainer - 1200mm (90mm Drain)
- HC903 - Vogue Single Bowl Sink R/H Drainer - 1200mm (90mm Drain)
- HC904 - Vogue Double Bowl Sink R/H Drainer - 1500mm (90mm Drain)
- HC905 - Vogue Double Bowl Sink L/H Drainer - 1500mm (90mm Drain)
- HC906 - Vogue Single Bowl Sink Double Drainer - 1500mm (90mm Drain)
- HC907 - Vogue Double Bowl Sink R/H Drainer - 1800mm (90mm Drain)
- HC908 - Vogue Double Bowl Sink L/H Drainer - 1800mm (90mm Drain)
- HC909 - Vogue Double Bowl Sink Double Drainer - 2400mm (90mm Drain)
- HC912 - Vogue Single Bowl Sink R/H Drainer - 1000mm x 700mm (90mm Drain)
- HC913 - Vogue Single Bowl Sink L/H Drainer - 1000mm x 700mm (90mm Drain)
- HC914 - Vogue Single Bowl Sink L/H Drainer - 1200mm x 700mm (90mm Drain)
- HC915 - Vogue Single Bowl Sink R/H Drainer - 1200mm x 700mm (90mm Drain)
- HC916 - Vogue Double Bowl Sink R/H Drainer - 1500mm x 700mm (90mm Drain)
- HC917 - Vogue Double Bowl Sink L/H Drainer - 1500mm x 700mm (90mm Drain)
- HC918 - Vogue Single Bowl Sink Double Drainer - 1500mm x 700mm (90mm Drain)
- HC919 - Vogue Double Bowl Sink R/H Drainer - 1800mm x 700mm (90mm Drain)
- HC920 - Vogue Double Bowl Sink L/H Drainer - 1800mm x 700mm (90mm Drain)
- HC921 - Vogue Double Bowl Sink Double Drainer - 2400mm x 700mm (90mm Drain)

## Assembly



**Note: Be sure to check all packaging materials for any small parts that may have come loose during transportation.**

1. Remove all protective film from the shelf, legs and underneath the sink, taking care to avoid scratching the surfaces.
2. Place the sink face down on the floor [A].
3. Insert the legs into the sockets situated at each corner of the sink [B & C].



**Note: Do not secure the legs to the sink at this stage. This makes inserting the shelf easier.**

4. Position the corner sockets of the shelf over the four legs and lower the shelf approximately 25cm down the legs [D].



**Note: The legs are marked at 25cm to help position the shelf in a level position.**

5. Hold the shelf in position and insert the grub screws to loosely secure the shelf to each leg [E] and the legs to the sink top.



**Note: Leaving the grub screws loose allows for adjustments to sink shelf and legs.**

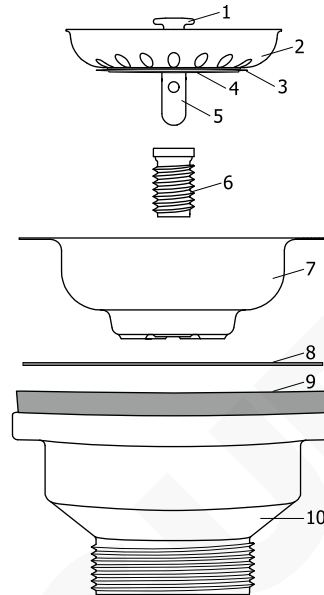
6. Adjust the shelf and legs so that they are level (use a spirit level if required).
7. Tighten all the grub screws [F].
8. Stand the sink upright and remove the remaining protective film [G].
9. If necessary adjust the feet to level the sink.

## Cleaning

- Before using for the first time the sink should be cleaned thoroughly.
- Clean the sink regularly using a cleaning agent suitable for use with stainless steel.
- Always remove cleaning agent residue. This can discolour the surface of the shelf.
- Never leave the shelf surface damp as this can cause discolouration.
- Regularly remove and clean the sink drainer unit to avoid potential damage and blockages.

## Drainer Unit

Number	Description
1	Bolt head
2	Filter (Ø 90mm)
3	Small sealing ring
4	Steel cover
5	Bolt
6	Screw
7	Bowl
8	EVA sealing ring
9	Big sealing ring
10	PP outer shell



1. Insert Drainer unit as shown above.
2. Connect the unit to the drain outlet with suitable pipework.



**Note: Consult a qualified plumber if unsure of suitable connections.**

All rights reserved. No part of these instructions may be produced or transmitted in any form or by any means, electronic, mechanical, photocopying, recording or otherwise, without the prior written permission of VOGUE.

Every effort is made to ensure all details are correct at the time of going to press, however, VOGUE reserve the right to change specifications without notice.

AU	1300 225 960	15 Badgally Road, Campbelltown, 2560, NSW, Australia
----	--------------	--