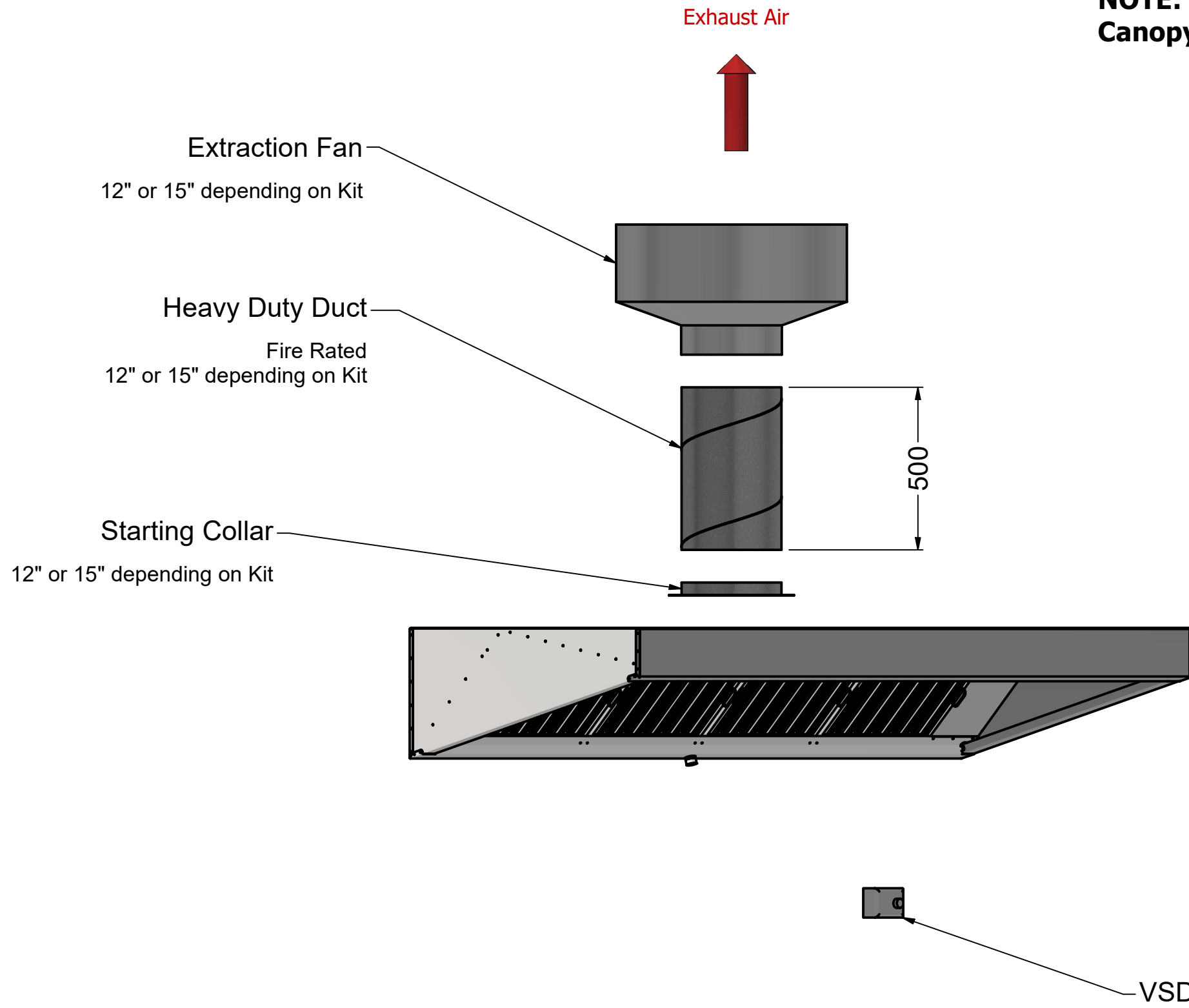


NOTE: Canopy shown for illustration purposes only. Canopy is NOT Included in ducting kit.



Kit Options:

- 12" circular duct (305 mm)
- 15" circular duct (381 mm)

with matching Fan and Starting Collar

All dimensions in mm

These Canopy/Ducting schematic layouts are indicative only and are solely intended to provide a general overview of the generic components.

Customers are responsible for designing and accurately measuring all of the layout configurations such as duct runs, fan locations, penetrations, etc. as specifically suits their particular installation and site conditions. Customers are responsible for ordering the component configuration that suits their particular installation.

Any required Approval or Sign-off authority by Mechanical Services agents are the responsibility of the customer.

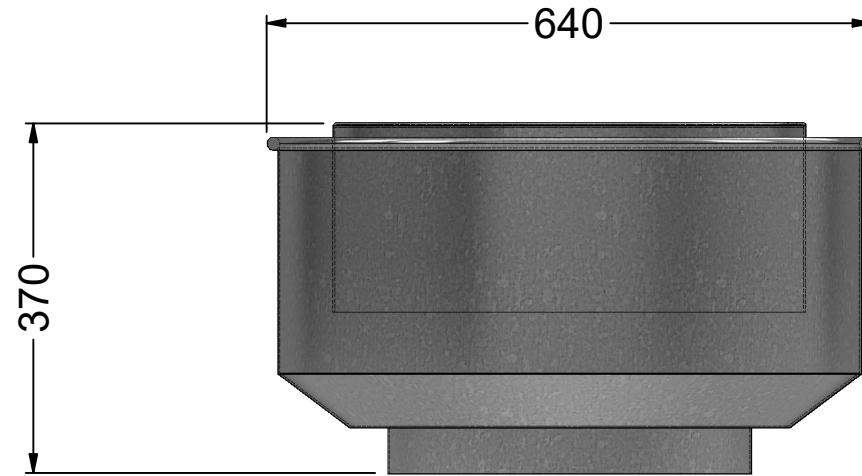


PROJECT VANAIR				
DWG NO VanAir Kit MEK1 - RIGID duct - Extraction Only				
SIZE A3	SCALE DNS	SHEET 1	DATE 12/06/2026	REV 3

Duct Option

Fan Details

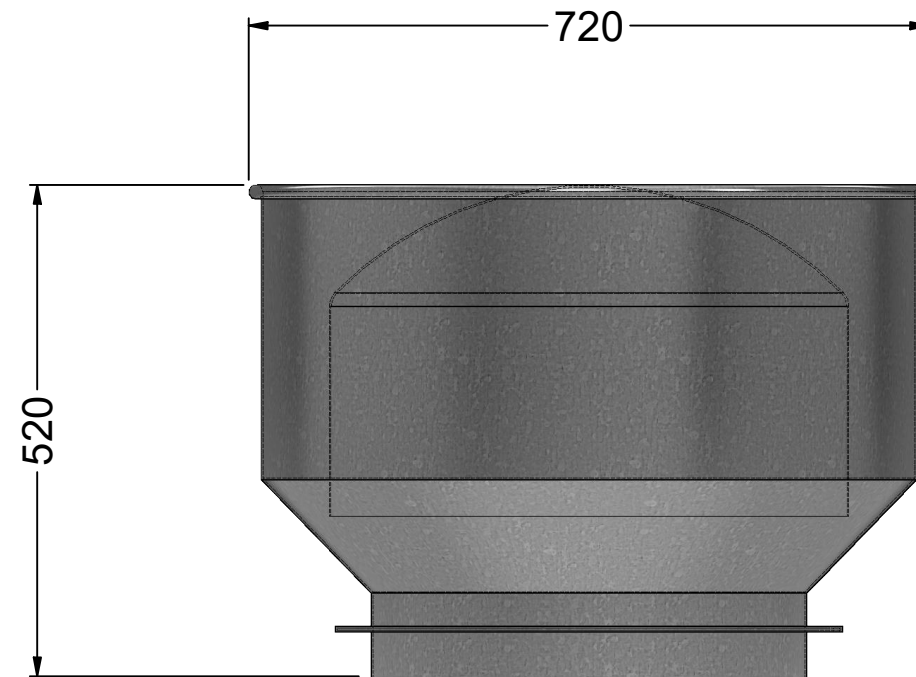
12" - 305 mm



Approx. 28 kg

Wiring - VSD/Fan - 3 core A,N,E

15" - 381 mm



Approx. 32.5 kg

Wiring - VSD/Fan - 4 core 2xA,N,E

These Canopy/Ducting schematic layouts are indicative only and are solely intended to provide a general overview of the generic components.

Customers are responsible for designing and accurately measuring all of the layout configurations such as duct runs, fan locations, penetrations, etc. as specifically suits their particular installation and site conditions. Customers are responsible for ordering the component configuration that suits their particular installation.

Any required Approval or Sign-off authority by Mechanical Services agents are the responsibility of the customer.



PROJECT

VANAIR

DWG NO

VanAir Kit MEK1 - RIGID duct - Extraction Only

SIZE
A3

SCALE
DNS

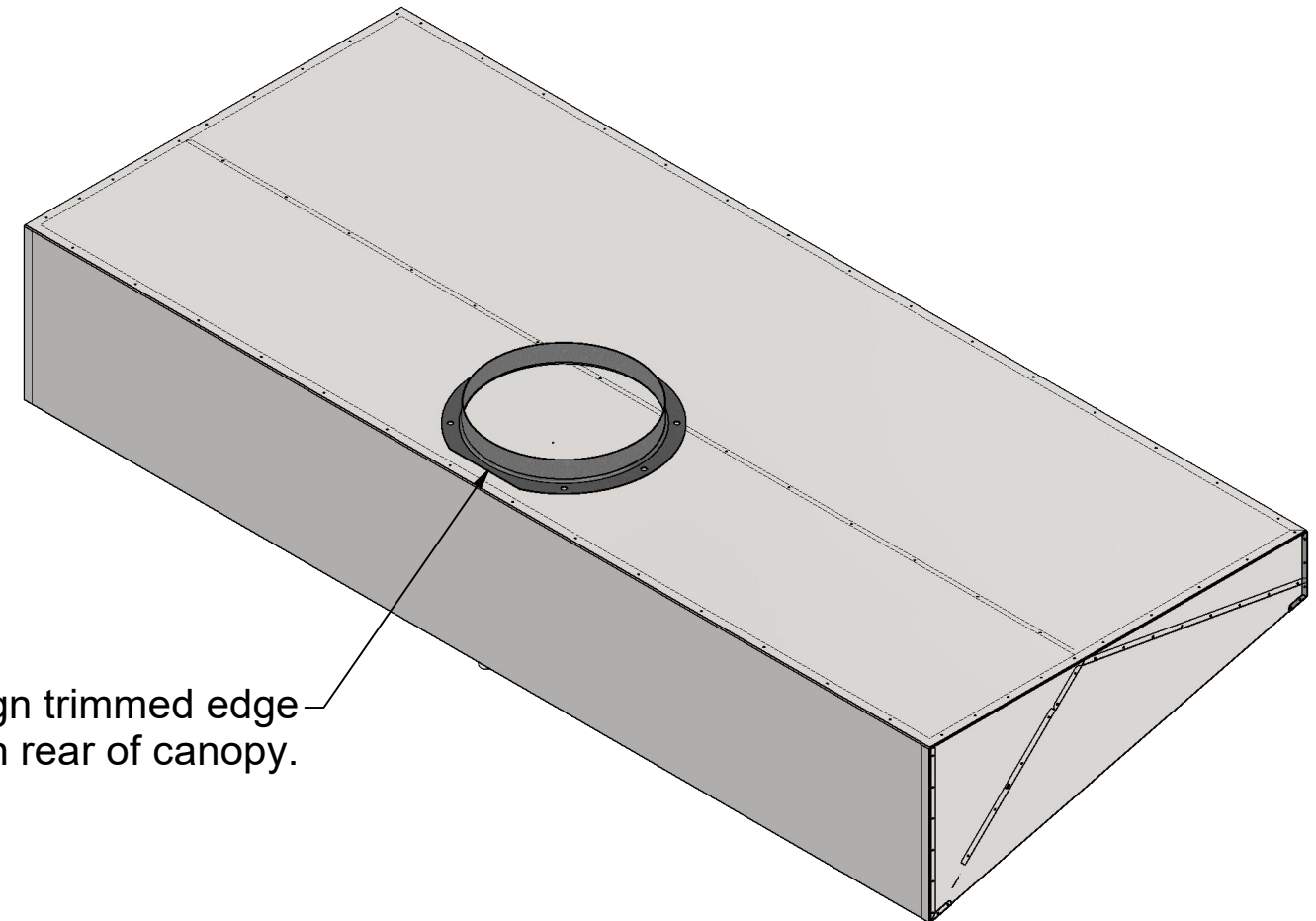
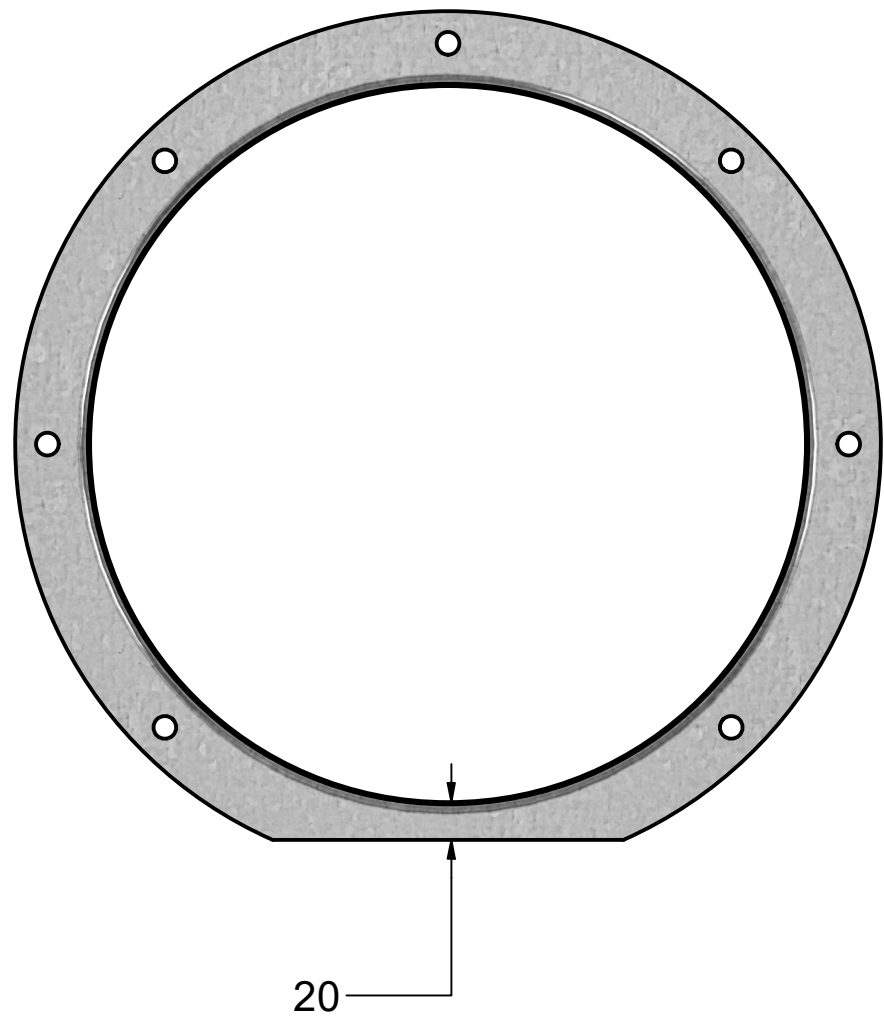
SHEET
2

DATE
12/06/2026

REV
3

15" Spigot - Trim

For 15 inch Duct kits, the starting collar / spigot must be trimmed as shown.



Align trimmed edge with rear of canopy.

All dimensions in mm

These Canopy/Ducting schematic layouts are indicative only and are solely intended to provide a general overview of the generic components.

Customers are responsible for designing and accurately measuring all of the layout configurations such as duct runs, fan locations, penetrations, etc. as specifically suits their particular installation and site conditions. Customers are responsible for ordering the component configuration that suits their particular installation.

Any required Approval or Sign-off authority by Mechanical Services agents are the responsibility of the customer.



PROJECT
VANAIR

DWG NO
VanAir Kit MEK1 - RIGID duct - Extraction Only

SIZE	SCALE	SHEET	DATE	REV
A3	DNS	3	12/06/2026	3