



Technical Data:	
Dimensions	367 x 415 x 265/420 mm
Tank Capacity	10 litres
Basket Dimensions	480 x 235 x 105 mm
Net Weight	11 kg
Voltage	415 V three phase AC
Power	6.9 kW
Fuses	20 A
Power cable	Supplied without plug

Product Description:

- 100% stainless-steel construction for durability, hygiene and easy cleaning
- One-piece pressed stainless-steel pan with rounded corners for optimum hygiene
- Front drain valve with screw cap for safe and easy oil recovery
- Three-part design (control unit, pan, chassis) for improved safety and easy maintenance
- Pan and chassis dishwasher safe
- Simple operation via single control dial with LED indicator lights
- Dialog system for clear operation and maximum efficiency
- Cool zone beneath heating element to collect waste and extend oil life
- Safety thermostat with manual reset

Included Accessories:

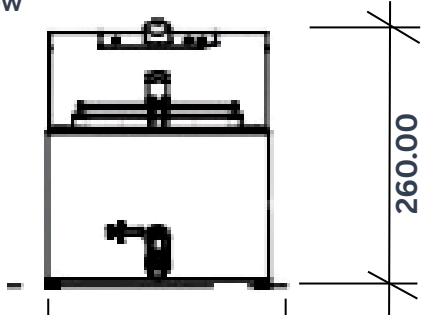
- A lid

Optional Accessories:

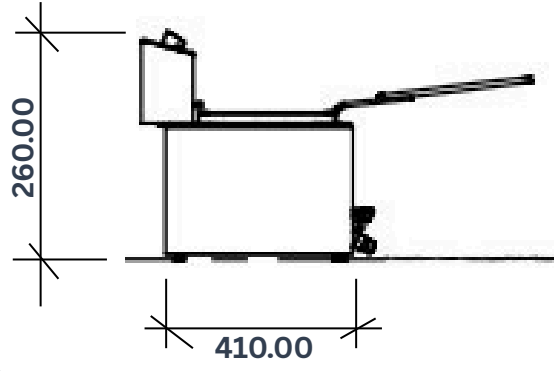
- A support table



Front View



Side View



Top View

