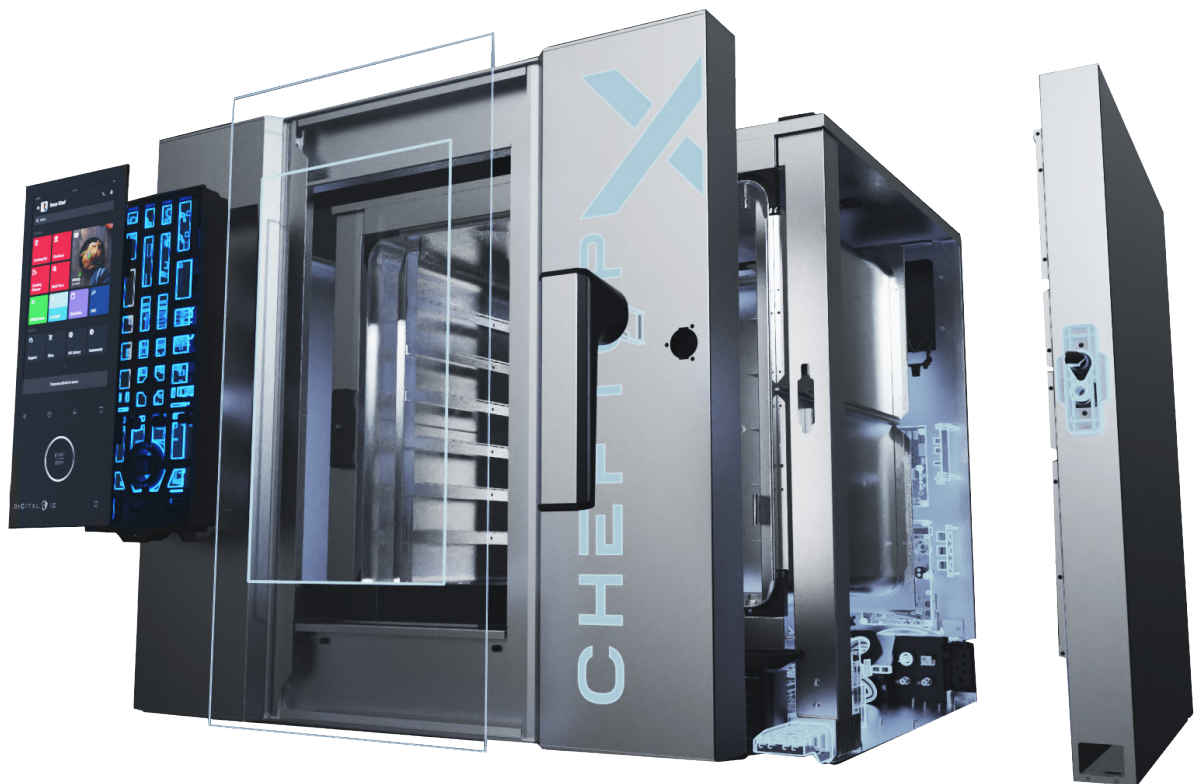




INSTALLATION

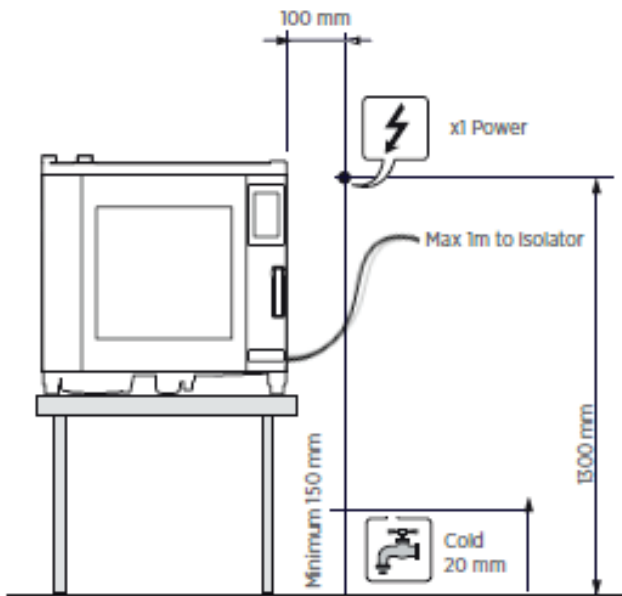
PRICE LIST

VALID FROM 05-2025

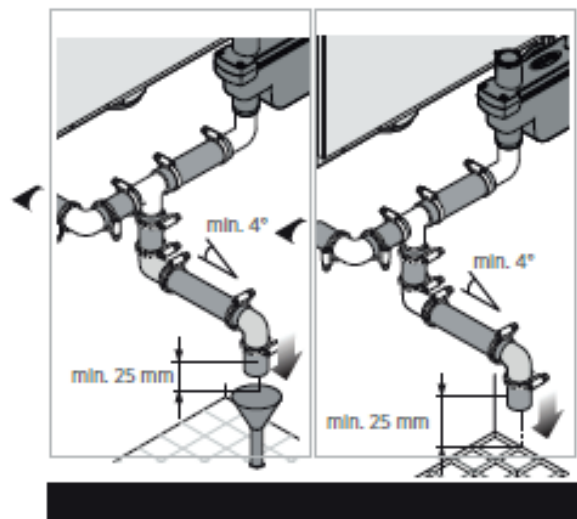
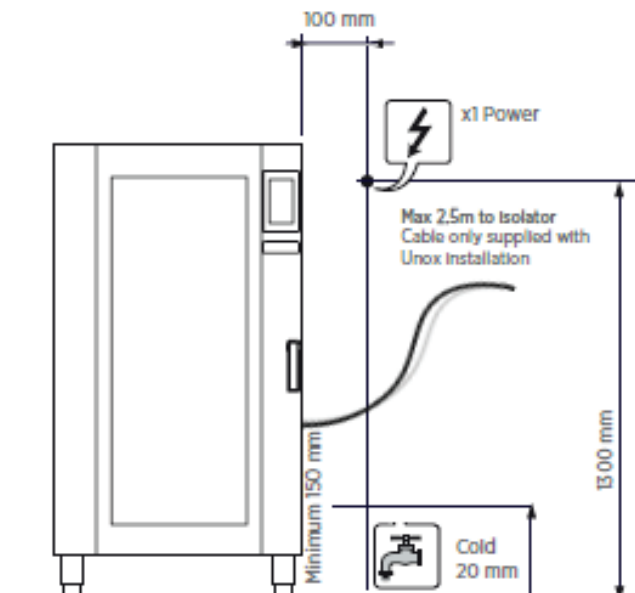
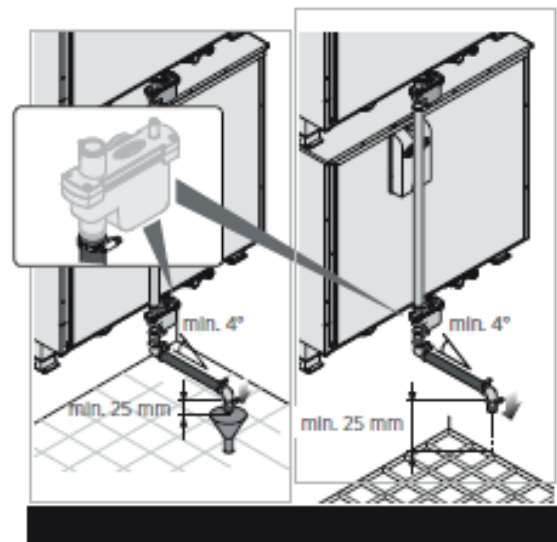
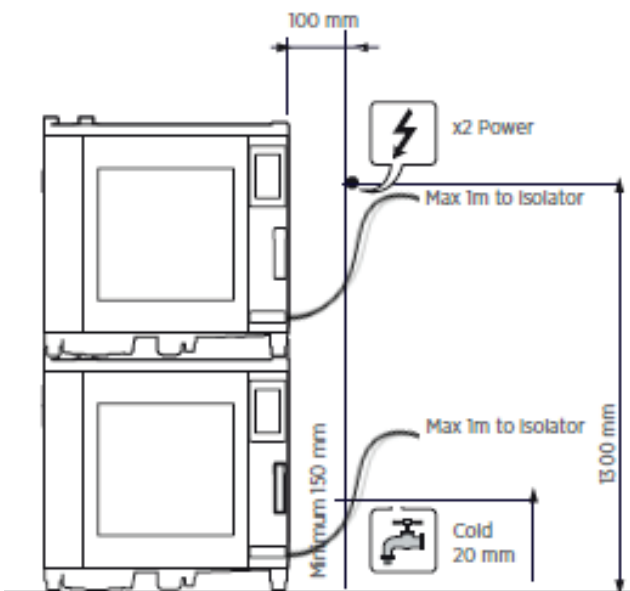
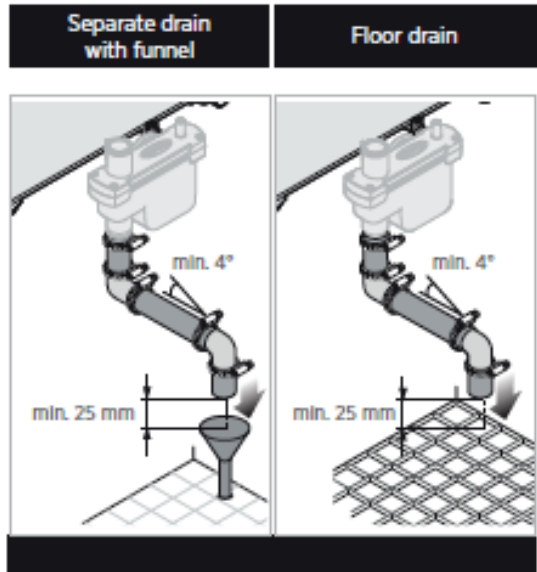


UNOX ELECTRIC INSTALLATION REQUIREMENTS

Installation prices quoted on below listed distances provided at site, variations to below requirements will incur higher install costs - based on extra material to be used at the time of install.



DRAIN CONNECTIONS - Within 1 meter of oven





The most tangible demonstration of the quality and reliability of MIND.Maps™. You can extend the warranty* on spare parts to up to 4 years or 10,000 hours of operation*.

The **activation** of the LONG.Life4 warranty is simple. Just connect the oven to the internet and register it on the ddc.unox.com website. The PLUS models are provided with standard Wi-Fi internet connection. For the ONE models, connection kits are available.

OPTIONS FOR CHEFTOP MIND.Maps™ PLUS OVENS

XEC001: Ethernet Connection Kit \$1,060.00

ALL MODELS BELOW HAVE BUILT IN WI-FI CONNECTIVITY

EPRM / EPLM / GPRM / GPLM / YPRS / YPLS / GPRS / GPLS

OPTIONS FOR MIND.Maps™ ONE OVENS

XEC001: Ethernet Connection Kit \$1,060.00

XEC002: WIFI Connection Kit \$1,525.00

XEC016: WIFI Connection Kit for BIG MODELS ONLY \$1,415.00

This is the LONG.Life4 program, tangible proof of the quality and reliability of CHEFTOP MIND.Maps™ ovens. Activation of the LONG.Life4 guarantee is simple. The PLUS models are ready prepared for internet connection (Ethernet) or Wi-Fi (refer above for product codes and pricing). The CHEFTOP MIND.Maps™ ONE requires one of the dedicated kits and both can be registered on the Unox website. Kits for Wi-Fi are available. The UNOX oven must remain accessible for remote login by the UNOX Service team – Warranty conditions may be compromised if accessibility is not possible.

Any additional costs for the installation beyond those provided as part of the UNOX LONG.Life4 Extended Warranty Program, is the responsibility of the customer.

The UNOX LONG.Life4 Extended Warranty Program **does not** include the following:

- Overtime, weekend or public holiday labour penalty rates
- Travel beyond a fifty (50 km) radius (one hundred (100) km round trip) of UNOX Australia or Service Agents office
- Any work or costs associated with moving the equipment within 1 meter of the final installed location
- Special licensing or permits;
- Unpacking, un-crating and removal of packing material of UNOX equipment - Unless engaging LL4.PLUS (Installation & Preventative Maintenance)

It is mandatory to incorporate an appropriate UNOX filtration system into all UNOX combi oven installations, to prevent any damage from the water quality supply to the oven. Water quality can be pre tested free of charge by sending a 500ml water sample to Unox Head Office.

Non-compliance with minimum standards will potentially damage this equipment and/or components & VOID the original equipment manufacturers warranty and LONG.Life4. Contact Unox for further information.

SPEED-X™ INSTALL PRICING

Installation SPEED-X™ on a stand \$1,050.00

Installation SPEED-X™ on a bench \$1,050.00

(provided that access hole for drain and water is pre drilled, any modification may accrue additional charges)

SPEED-X™ hood installation at the time of installation of oven Additional \$290.00

SPEED-X™ hood install on existing setup \$550.00

Installation EVEREO® and SPEED-X™ stack without hood \$1,310.00

* All other accessories are additional

* Please also note our installation costs do not include, disconnection of existing ovens, parking & site inductions. If these are required, it may incur extra charges.

CHEFTOP MIND.Maps™ ELECTRIC COMBI OVENS

UNOX SERVICES (ELECTRIC)



INSTALLATION & PREVENTATIVE MAINTENANCE

Please arrange a site inspection for all 10 trays and larger prior to quoting.

All services listed below are priced ensuring the oven can be wheeled into place with no obstacles.

If obstacles are present, such as; stairs, benches and cabinets that require manual lifting, please contact Unox to quote as a specialised service.

All Installation services include the following:

- Unox authorised technician to carry out an annual standard service for the first 2 years to replace the water filter and door seal (this only applies to the UNOX standard water quality filter, this excludes Reverse Osmosis, if fitted). Price of Reverse Osmosis will be provided upon request.
- Full system health check on the entire oven

Single oven on stand	\$2,190.00
Stacked ovens systems (Two ovens + Stand + Stacking Kit with or without steam condenser hood)	\$3,475.00
Two Individual ovens on stands	\$4,150.00
Floor Models with or without hood	\$3,695.00

UNOX COMPLETE INSTALLATION

UNOX's Services include; Communicating the installation requirements/services to the customer, ensuring the site is prepared prior to installation. Once complete, the Installation is coordinated to both the technician and customer.

Installation by UNOX approved technician {within fifty (50) km radius (one hundred (100) km round trip) from all major Capital Cities}. Installation can be arranged using an approved UNOX technician - UNOX recommends using a UNOX approved Installer as calibration can occur at the time of install

- Unpack and check all equipment, build stand, place oven and peel protective covering.
- Installation: providing services are in place as listed on the Installation Preparation document
- Connect oven to three phase power, water connection and test water for quality.
- Connection of outgoing services to waste.
- Installation and connection of internet kit if purchased for ONE models..
- Connection and test connection to the Internet.
- Calibration of oven including all date and time settings and other requirements to UNOX standard.

Up to 10 tray electric combi oven without hood	\$1,020.00
Up to 10 tray electric combi oven with hood	\$1,250.00
Stack of 2 combi ovens with or without hood	\$1,425.00
20 or 40 tray electric combi oven without hood	\$1,425.00
20 or 40 tray electric combi oven with hood	\$1,565.00
GN 2/1 ovens - for models: XEVC-1021 / XEVC 0621 without hood	\$1,425.00
GN 2/1 ovens - for models: XEVC-1021 / XEVC 0621 with hood	\$1,490.00
Installation of reverse osmosis	\$350.00
The Installation of a new Reverse Osmosis fitted to a pre-installed Unox oven	\$455.00

UNOX IN-HOUSE SERVICES

Fit 3 phase plug or single phase lead with plug	\$125.00
Build oven stand and pre-prepare First Installation Kit	\$130.00
Build oven stand and pre-prepare First Installation Kit + Fit Hood	\$190.00
Stack 2 ovens + Build oven stand + pre-prepare stacking kit (contains First Installation Kit)	\$240.00
Stack 2 ovens + Build oven stand + pre-prepare stacking kit (contains First Installation Kit) + Fit Hood	\$275.00

* Please also note our installation costs do not include, disconnection of existing ovens, parking & site inductions. If these are required, it may incur extra charges.

CHEFTOP MIND.Maps™ GAS COMBI OVENS

UNOX SERVICES (GAS)



INSTALLATION & PREVENTATIVE MAINTENANCE

In accordance with AS:4563:2004, upon commissioning, a qualified technician - authorised by UNOX - must analyse the burner exhaust gases (CO and CO2) and record the registered values on the installation checklist, supplied with the oven.

Please arrange a site inspection for all 10 trays and higher prior to quoting.

All services listed below are priced ensuring the oven can be wheeled into place with no obstacles.

If obstacles are present, such as; stairs, benches and cabinets that require manual lifting, please contact Unox to quote as a specialised service.

- Unox authorised technician to carry out an annual standard service for the first 2 years to replace the water filter and door seal (this only applies to the UNOX standard water quality filter, this excludes Reverse Osmosis, if fitted). Price of Reverse Osmosis will be provided upon request.
- Full system health check on the entire oven

Single oven on stand	\$2,190.00
Stacked ovens systems (Two ovens + Stand + Stacking Kit)	\$3,475.00
Two Individual ovens on stands	\$4,395.00
Floor Models only	\$3,985.00

UNOX COMPLETE INSTALLATION

UNOX's Services include; Communicating the installation requirements/services to the customer, ensuring the site is prepared prior to installation. Once complete, the Installation is coordinated to both the technician and customer.

Calibration by UNOX approved technician {within fifty (50) km radius (one hundred (100) km round trip) from all major Capital Cities}. Installation can be arranged using an approved UNOX technician - UNOX recommends using a UNOX approved Installer as calibration can occur at the time of install

- Unpack and check all equipment, build stand, place oven and peel protective covering.
- Installation: providing services are in place as listed on the Installation Preparation document
- Connect oven to site supplied flexible gas line, water connection and test water for quality.
- Connection of outgoing services to Waste.
- Calibration of Oven including all date and time settings and other requirements to UNOX standard.
- Installation and connection of internet kit

Up to a 10 Tray combi oven GN 1/1	\$1,020.00
Stack of two combi ovens GN1/1	\$1,425.00
20/40 Tray combi oven	\$1,425.00
GN 2/1 Ovens - For models: XEVC-1021 / XEVC-0621	\$1,425.00
Stack of two combi ovens GN 2/1	\$1,700.00
Installation of reverse osmosis	\$350.00
The Installation of a new Reverse Osmosis fitted to a pre-installed Unox oven	\$455.00

UNOX IN-HOUSE SERVICES

Build oven stand and pre-prepare First Installation Kit	\$130.00
Stack 2 ovens + Build oven stand + pre-prepare stacking kit (contains First Installation Kit)	\$240.00

* Please also note our installation costs do not include, disconnection of existing ovens, parking & site inductions. If these are required, it may incur extra charges.

BAKERLUX SHOP.Pro™ CONVECTION + HUMIDITY OVENS

TOUCH MODELS ONLY

The most solid demonstration of the quality and reliability of the BAKERLUX SHOP.Pro™.

You can extend your warranty* on spare parts for up to 4 years or 10,000 hours of use.

Activating the LONG.Life4 warranty is easy.

Simply connect your new BAKERLUX SHOP.Pro™ TOUCH model to the Internet via an Ethernet cable or via Wi-Fi using their respective accessories and register it on the Unox website.

- Overtime travel or labour. Warranty work is to be undertaken during normal business working hours.
- Travel by UNOX service agent or its designee, beyond a fifty (50) km radius (one hundred (100) km round trip) of UNOX Australia or its designee's office;
- Any work or costs associated with moving the equipment within 1 meter of the final installed location
- Special licensing or permits;
- Unpacking, un-crating and removal of packing material of UNOX equipment Unless engaging LL4.PLUS

XEC012: Wi-Fi Kit \$1,145.00

UNOX COMPLETE INSTALLATION

Installation of stand and oven \$675.00
 Installation of stacked ovens \$1,037.00
 Reverse Osmosis Installation \$350.00

UNOX IN-HOUSE SERVICES

Fit 3 phase plug or single phase lead with plug \$125.00
 Build oven stand, fit the tank and pump \$130.00
 Build oven stand, fit the hood and connections \$198.00
 Fit Stacking Kit \$240.00
 Install Hood and stacking kit \$385.00

PREVENTATIVE MAINTENANCE for SPEED.Pro \$900.00

- This includes:
- 1 visit from a service technician
 - Door seal replacement
 - A box of Det and Rinse spray bottles
 - Cleaning the oven chamber (including behind the fan guard and PTFE filters)
 - Firmware update
 - Functionality testing
 - All associated travel and labour costs for the technician to perform the Preventative Maintenance tasks

*Please note, this does not additional travel or any non-warranty parts and repairs that are needed.

Accessories Pricing List	PRICING WITHOUT A COMBI INSTALLATION PURCHASED
SHOP PRO (4) - NO STAND	\$350.00
SHOP PRO (4) - WITH STAND	\$425.00
SHOP PRO (4)- STACKED	\$720.00
SHOP PRO (4)- WITH HOOD	\$580.00
SHOP PRO (6+)- WITH STAND	\$675.00
SHOP PRO (6+)- WITH HOOD	\$810.00
SPEEDPRO	\$535.00
SPEEDPRO-WITH STAND	\$650.00

* Please also note our installation costs do not include, disconnection of existing ovens, parking & site inductions. If these are required, it may incur extra charges.



EUROPE

IT - ITALIA UNOX S.p.a E-mail: info@unox.it Tel: +39 049 736 0781	GB - UNITED KINGDOM UNOX UK Ltd. E-mail: info.uk@unox.com Tel: +44 1252 851 522	CZ - ČESKÁ REPUBLIKA UNOX DISTRIBUTION s.r.o. E-mail: info.cz@unox.com Tel: +420 241 940 000	BG - БЪЛГАРИЯ UNOX BULGARIA E-mail: info.bg@unox.com Tel: +359 2 419 05 00	NL - NETHERLANDS UNOX NETHERLANDS B.V. E-mail: info.nl@unox.com Tel: +31 70 700 6170
DE - DEUTSCHLAND UNOX DEUTSCHLAND GMBH E-mail: info.de@unox.com Tel: +49 32 211121581	IE - IRELAND UNOX IRELAND E-mail: info.ie@unox.com Tel: +353 (0) 87 32 23 218	HR - HRVATSKA UNOX CROATIA E-mail: narudzbe@unox.com Tel: +39 049 86 57 538	AT - ÖSTERREICH UNOX ÖSTERREICH GMBH E-mail: info.de@unox.com Tel: +43 1 206 092 068	PL - POLSKA UNOX POLSKA Sp.zo.o. E-mail: info.pl@unox.com Tel: +48 22 104 17 01
FR - FRANCE, BELGIUM & LUXEMBOURG UNOX FRANCE s.a.s. E-mail: info.fr@unox.com Tel: +33 4 81 68 19 12	ES - ESPAÑA UNOX PROFESIONAL ESPAÑA S.L. E-mail: info.es@unox.com Tel: +34 932 20 36 52	TR - TÜRKİYE - UNOX TURKEY Profesyonel mutfak ekipmanları endüstri ve ticaret limited şirketi E-mail: info.tr@unox.com Tel: +90 530 176 62 03	RU - РОССИЯ, ПРИБАЛТИКА И СТРАНЫ СНГ UNOX РОССИЯ E-mail: info.ru@unox.com Tel: +7 (499) 702 - 00 - 14	SC - SCANDINAVIAN COUNTRIES UNOX SCANDINAVIA AB E-mail: info.se@unox.com Tel: +46(0)790 75 63 64
PT - PORTUGAL UNOX PORTUGAL E-mail: info.pt@unox.com Tel: +351 918 228 787				

AMERICA

US - U.S.A. & CANADA UNOX Inc. E-mail: info.usa@unox.com Tel: +1 800 489 8669	AR - ARGENTINA UNOX ARGENTINA E-mail: info.ar@unox.com Tel: +54 911 37 58 43 46	CO - COLOMBIA UNOX COLOMBIA E-mail: info.co@unox.com Tel: +57 350 65 88 204	BR - BRASIL UNOX BRASIL SERVICOS LTDA. E-mail: info.br@unox.com Tel: +55 11 98717-8201	MX - MÉXICO UNOX MÉXICO, S. DE R.L. DE C.V. E-mail: info.mx@unox.com Tel: +52 55 8116-7720
---	---	---	--	---

ASIA, OCEANIA & AFRICA

ZA - SOUTH AFRICA UNOX SOUTH AFRICA E-mail: info.za@unox.com Tel: +27 845 05 52 35	PH - PHILIPPINES UNOX PHILIPPINES E-mail: info.asia@unox.com Tel: +63 9173108084	AU - AUSTRALIA UNOX AUSTRALIA PTY Ltd. E-mail: info@unoxaustralia.com.au Tel: +61 3 9876 0803	UZ - UZBEKISTAN UNOX PRO LLC E-mail: info.uz@unox.com Tel: +998 90 370 90 10	KR - 대한민국 UNOX KOREA CO. Ltd. 이메일: info.kr@unox.com 전화: +82 2 69410351
AC - OTHER ASIAN COUNTRIES UNOX (ASIA) SDN. BHD E-mail: info.asia@unox.com Tel: +603-58797700	TW - TAIWAN, HONG KONG & MACAU UNOX TAIWAN E-mail: info.tw@unox.com Tel: +886 928 250 536	MY - MALAYSIA & SINGAPORE UNOX (ASIA) SDN. BHD E-mail: info.asia@unox.com Tel: +603-58797700	CN - 中华人民共和国 UNOX TRADING (SHANGHAI) Ltd. CO. 电子邮件: info.china@unox.com 电话: +86 21 56907696	NZ - NEW ZEALAND UNOX NEW ZEALAND Ltd. E-mail: info@unox.co.nz Tel: +64 (0) 800 76 0803
AE - U.A.E. UNOX MIDDLE EAST DMCC E-mail: info.uae@unox.com Tel: +971 4 554 2146	ID - INDONESIA UNOX INDONESIA E-mail: info.asia@unox.com Tel: +62 81908852999	IN - INDIA UNOX INDIA PRIVATE LIMITED E-mail: info.in@unox.com Tel: +971 4 554 2146	VN - VIETNAM UNOX INDOCHINA E-mail: info.asia@unox.com Tel: +84916560803	

unox.com



*All Price listed - GST excluded