

# TWT-48D-4-HC



| Dimensions                         |                              |
|------------------------------------|------------------------------|
| External Width (mm)                | 1229                         |
| External Depth (mm)                | 766                          |
| External Height (mm)               | 1004                         |
| Net Volume (Litres)                | 53                           |
| Gross Volume (Litres)              | 340                          |
| Per Drawer Capacity (max depth mm) | 1x 305 mm x 458 mm pan (150) |
| Unpackaged Weight (kg)             | 107                          |
| Packaged Weight (kg)               | 118                          |
| Packaged Dimensions (W x D x H mm) | 1296 x 839 x 1207            |

| Build                |      |
|----------------------|------|
| Drawer Count         | 4    |
| Cord Length (Meters) | 2.13 |

| Technical                      |                    |
|--------------------------------|--------------------|
| Temperature Range              | 0.5 : 3.3°C        |
| Refrigerant                    | R290               |
| Voltage/Frequency/Phase        | 220-240V/50-60Hz/1 |
| Amps                           | 1                  |
| Watts                          | 230                |
| Climate Class                  | 5                  |
| Test Standard                  | EN 16825           |
| EEC                            | C                  |
| Energy Efficiency Index        | 44                 |
| Defrost Type                   | Auto               |
| Energy Consumption (kWh/24h)   | 2.34               |
| Energy Consumption (kWh/Annum) | 855                |



Specifications subject to change without notice.  
 Chart dimensions rounded up to the next whole millimeter (inches rounded up to the 1/8")

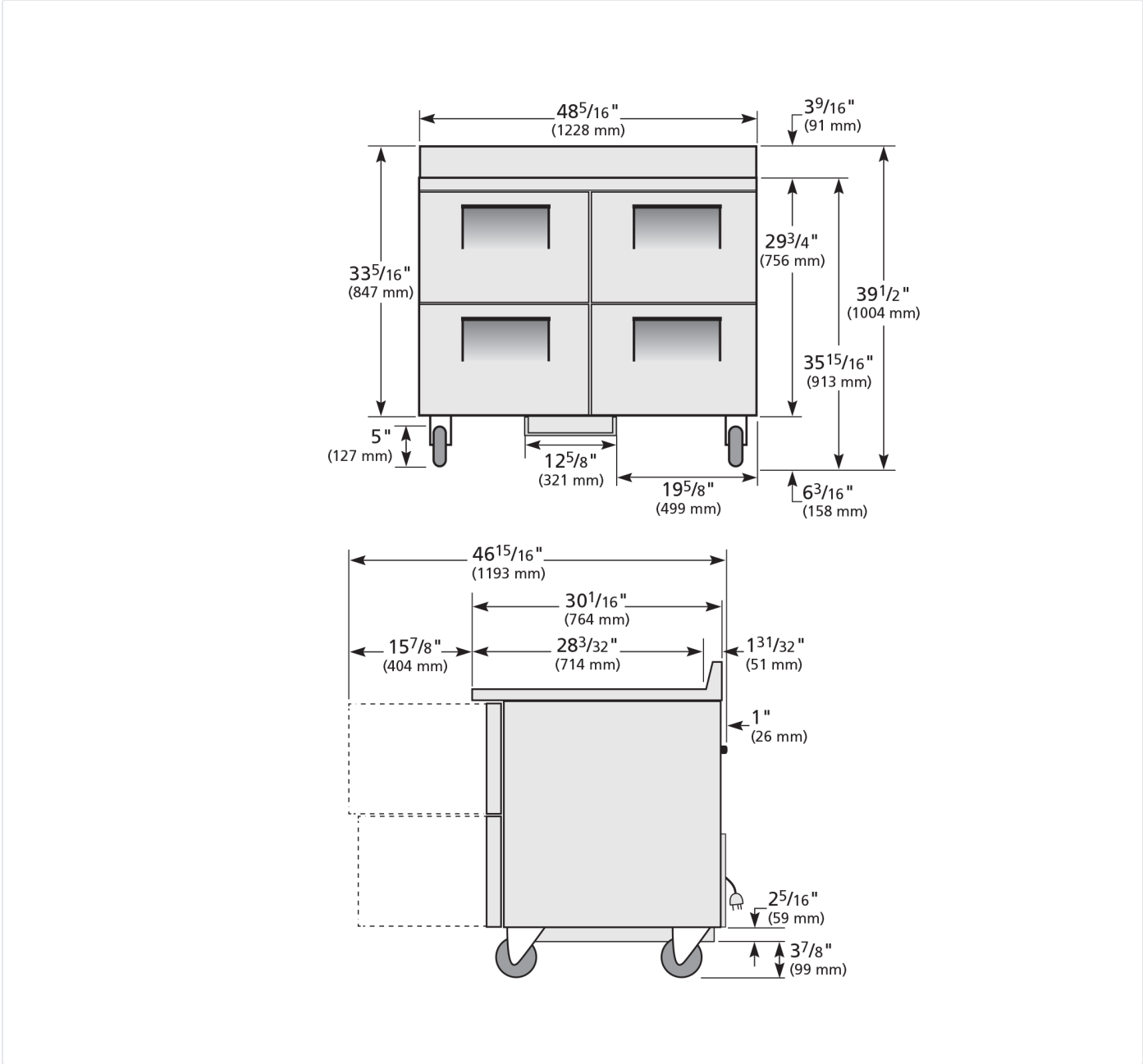
UK & Ireland  
 EMEA  
 Australia

[0800 783 2049](tel:08007832049)  
[+41 61 563 07 05](tel:+41615630705)  
[+61 2 9619 9999](tel:+61296199999)

[TFIUK@truemfg.com](mailto:TFIUK@truemfg.com)  
[TrueCHCustomerService@truemfg.com](mailto:TrueCHCustomerService@truemfg.com)  
[TrueRefAus@truemfg.com](mailto:TrueRefAus@truemfg.com)



# TWT-48D-4-HC



Specifications subject to change without notice.  
Chart dimensions rounded up to the next whole millimeter (inches rounded up to the 1/8")

UK & Ireland  
EMEA  
Australia

0800 783 2049  
+41 61 563 07 05  
+61 2 9619 9999

TFIUK@truemfg.com  
TrueCHCustomerService@truemfg.com  
TrueRefAus@truemfg.com

