


TUC-60D-2-HC

 Undercounter Foodservice Refrigerator, 2 Drawers + 1 Solid Swing Door



Dimensions	
External Width (mm)	1534
External Depth (mm)	766
External Height (mm)	839
Exclusions	Depth does not include 26 mm for rear bumpers.
Net Volume (Litres)	226
Gross Volume (Litres)	439
Supplied Shelves	2
Shelf Size (L x D mm)	One 700 x 546 + One 700 x 349
Internal Net Height (mm)	630
Per Drawer Capacity (max depth mm)	1x 1/1 GN (150)
Unpackaged Weight (kg)	191
Packaged Weight (kg)	202
Packaged Dimensions (W x D x H mm)	1601 x 839 x 1207
Supplied with	Heavy duty lock-in-place ø 64 mm castors (83 mm height) (reduced height option available, totals 810 mm)

Build	
Door Description	1 Solid Swing Door
Drawer Count	2
Drawers Location	Right (standard) or Left (option)
Exterior Construction	Stainless steel front & countertop, aluminium sides & rear
Interior Construction	Clear coated aluminium, stainless steel base
Air Intake Position	Front
Ventilation Position	Front
Clearance Required	Zero back and sides
Cord Length (Meters)	2.13
Standard w/ Locks	Standard

Technical	
Temperature Range	0.5 : 3.3°C
Refrigerant	R290
Voltage/Frequency/Phase	220-240V/50-60Hz/1
Amps	1.3
Watts	299
Climate Class	5
Operating Statement	Heavy Duty: This appliance is intended for use in ambient temperatures up to 40°C.
Test Standard	EN 16825
EEC	B
Energy Efficiency Index	31.5
Defrost Type	Auto
Energy Consumption (kWh/24h)	2.04
Energy Consumption (kWh/Annum)	746



Specifications subject to change without notice.
Chart dimensions rounded up to the next whole millimeter (inches rounded up to the 1/8")

UK & Ireland
EMEA
Australia

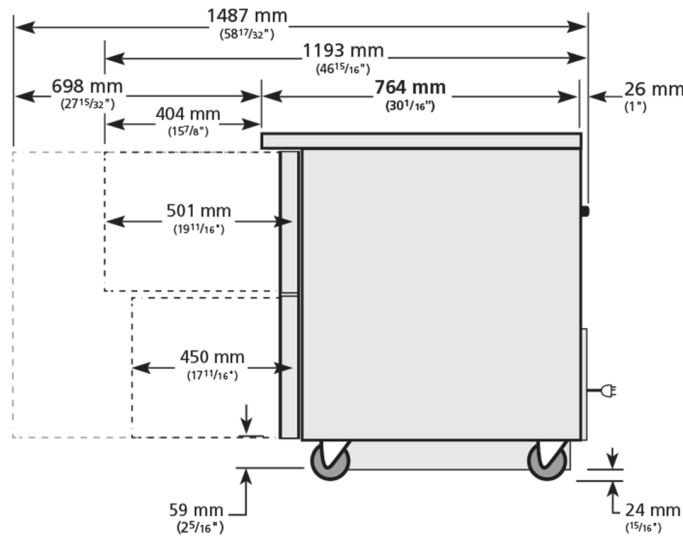
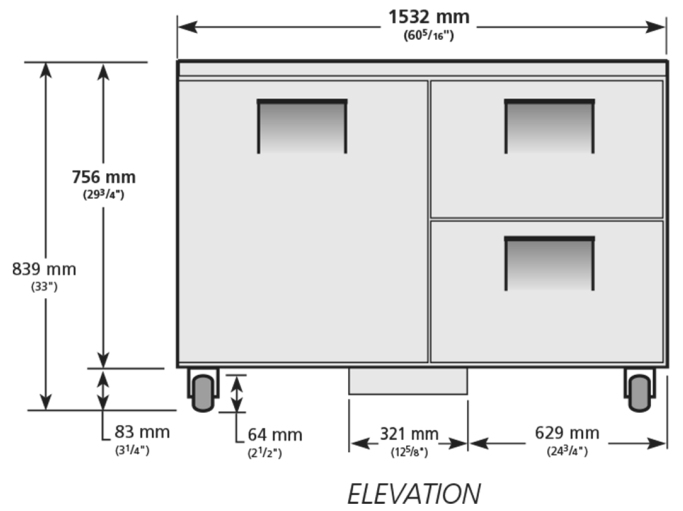
0800 783 2049
[+61 61 563 07 05](tel:+61615630705)
[+61 2 9619 9999](tel:+61296199999)

TFIUK@truemfg.com
TrueCHCustomerService@truemfg.com
TrueRefAus@truemfg.com



TUC-60D-2-HC

Undercounter Foodservice Refrigerator, 2 Drawers + 1 Solid Swing Door



Specifications subject to change without notice.
 Chart dimensions rounded up to the next whole millimeter (inches rounded up to the 1/8")

UK & Ireland
 EMEA
 Australia

0800 783 2049
 +41 61 563 07 05
 +61 2 9619 9999

TFIUK@truemfg.com
 TrueCHCustomerService@truemfg.com
 TrueRefAus@truemfg.com

