

# TUC-48G-HC~FGD01

 Undercounter Foodservice Refrigerator, 2 Glass Swing Doors



Dimensions	
External Width (mm)	1229
External Depth (mm)	766
External Height (mm)	839
Exclusions	Depth does not include 26mm for rear bumpers and 42mm for door handles.
Net Volume (Litres)	278
Gross Volume (Litres)	340
Display Area (m <sup>2</sup> )	0.54
Supplied Shelves	4
Shelf Size (L x D mm)	Two 547 x 514 + Two 547 x 349
Internal Net Height (mm)	630
Unpackaged Weight (kg)	119
Packaged Weight (kg)	130
Packaged Dimensions (W x D x H mm)	1296 x 839 x 1207
Supplied with	Heavy duty lock-in-place ø 64 mm castors (83 mm height) (reduced height option available, totals 810 mm)

Build	
Door Description	2 Full Glass Swing Doors
Exterior Construction	Stainless steel front & countertop, aluminium sides & rear
Interior Construction	Clear coated aluminium, stainless steel base
Air Intake Position	Front
Ventilation Position	Front
Clearance Required	Zero back and sides
Cord Length (Meters)	2.13
Internal Lighting	LED
Standard w/ Locks	Standard

Technical	
Temperature Range	0.5 : 3.3°C
Refrigerant	R290
Voltage/Frequency/Phase	220-240V/50-60Hz/1
Amps	1
Watts	230
Temperature Class	M1
Operating Statement	Heavy Duty: This appliance is intended for use in ambient temperatures up to 40°C.
Test Standard	EN 23953
EEC	B
Energy Efficiency Index	10.6
Defrost Type	Auto
Energy Consumption (kWh/24h)	1.86
Energy Consumption (kWh/Annum)	682



Specifications subject to change without notice.  
Chart dimensions rounded up to the next whole millimeter (inches rounded up to the 1/8")

UK & Ireland  
EMEA  
Australia

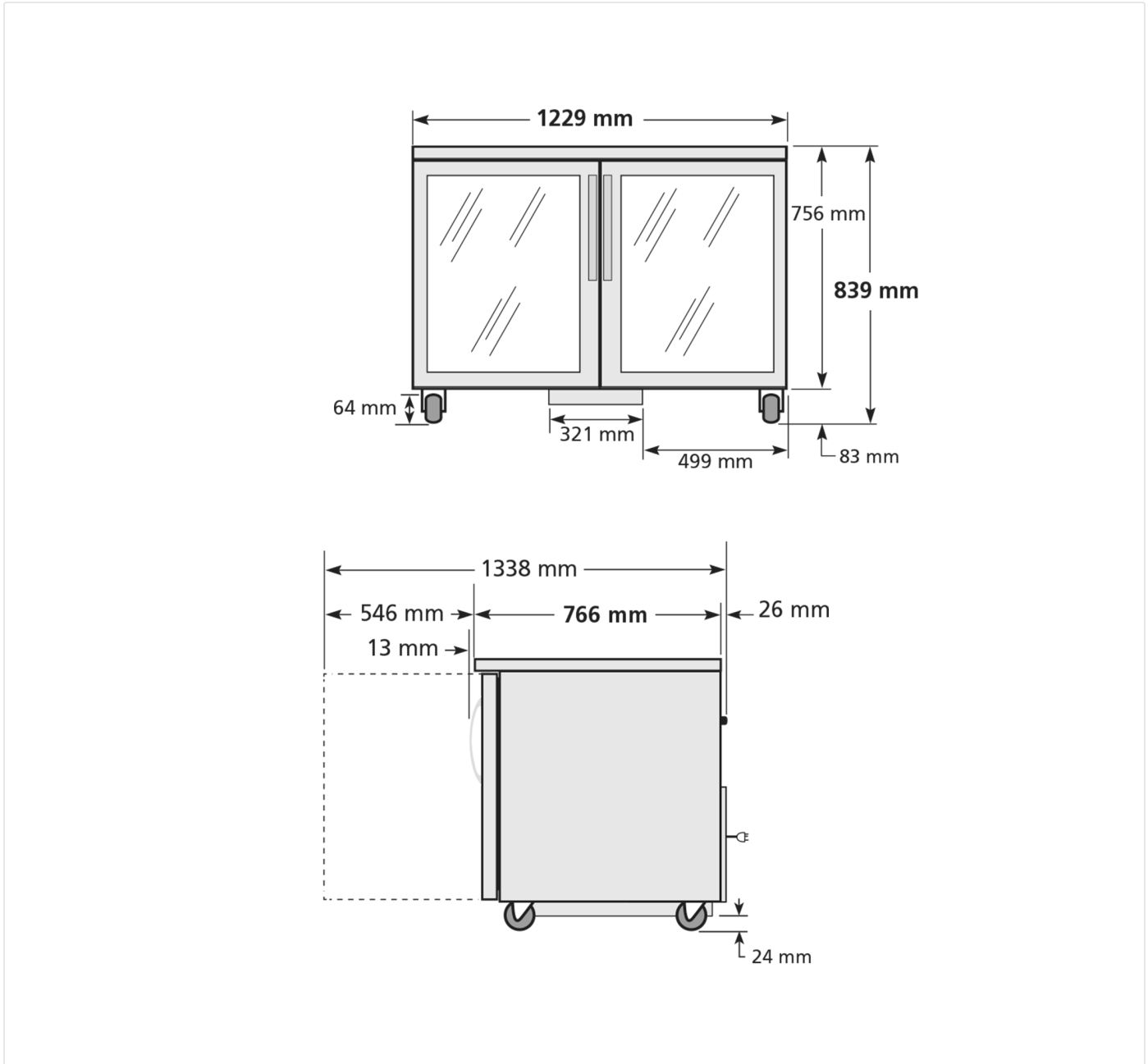
0800 783 2049  
[+41 61 563 07 05](tel:+41615630705)  
[+61 2 9619 9999](tel:+61296199999)

[TFIUK@truemfg.com](mailto:TFIUK@truemfg.com)  
[TrueCHCustomerService@truemfg.com](mailto:TrueCHCustomerService@truemfg.com)  
[TrueRefAus@truemfg.com](mailto:TrueRefAus@truemfg.com)



# TUC-48G-HC~FGD01

Undercounter Foodservice Refrigerator, 2 Glass Swing Doors



Specifications subject to change without notice.  
Chart dimensions rounded up to the next whole millimeter (inches rounded up to the 1/8")

UK & Ireland  
EMEA  
Australia

[0800 783 2049](tel:08007832049)  
[+41 61 563 07 05](tel:+41615630705)  
[+61 2 9619 9999](tel:+61296199999)

[TFIUK@truemfg.com](mailto:TFIUK@truemfg.com)  
[TrueCHCustomerService@truemfg.com](mailto:TrueCHCustomerService@truemfg.com)  
[TrueRefAus@truemfg.com](mailto:TrueRefAus@truemfg.com)

