


Prep Tables

# TSSU-60-16D-4-HC

 Prep Table, 16x 1/6 Top Pans, 4 Drawers



Dimensions	
External Width (mm)	1534
External Depth (mm)	766
External Height (mm)	1093
Exclusions	Depth does not include 26 mm for rear bumpers. Height with lid closed.
Gross Volume (Litres)	439
Top Pans Supplied (depth mm)	16x 1/6 GN (100)
Per Drawer Capacity (max depth mm)	1x 1/1 GN (150)
Unpackaged Weight (kg)	180
Packaged Weight (kg)	191
Packaged Dimensions (W x D x H mm)	1601 x 832 x 1270
Cutting Board (L x D mm)	1534 x 299
Supplied with	Heavy duty lock-in-place ø 127 mm castors (158 mm height)

Build	
Drawer Count	4
Exterior Construction	Stainless steel front, top & hood, aluminium sides and rear
Interior Construction	Clear coated aluminium, stainless steel base
Air Intake Position	Front
Ventilation Position	Front
Clearance Required	Zero back and sides
Cord Length (Meters)	3.35
Standard w/ Locks	Not Standard (SPEC3 option)

Technical	
Temperature Range	0.5 : 5°C
Refrigerant	R290
Voltage/Frequency/Phase	220-240V/50-60Hz/1
Amps	2.2
Watts	506
Defrost Type	Auto



Specifications subject to change without notice.  
 Chart dimensions rounded up to the next whole millimeter (inches rounded up to the 1/8")

UK & Ireland  
 EMEA  
 Australia

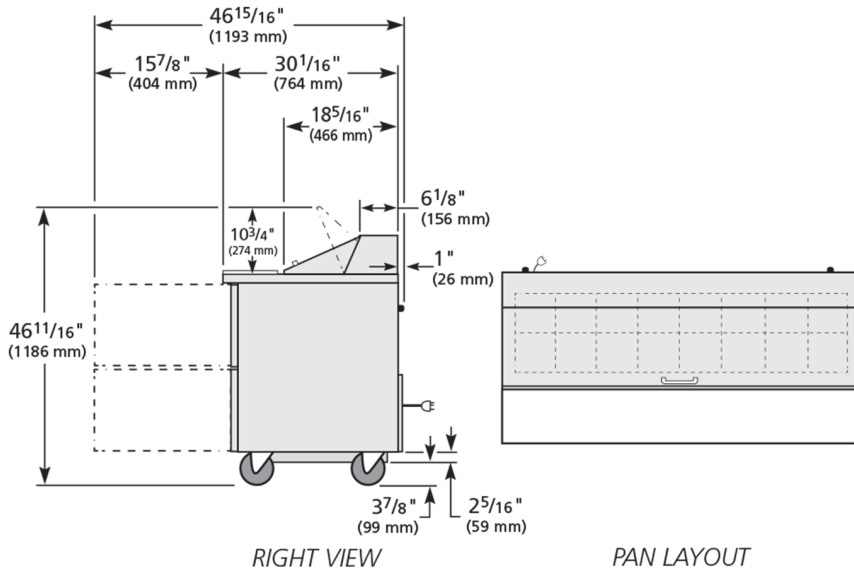
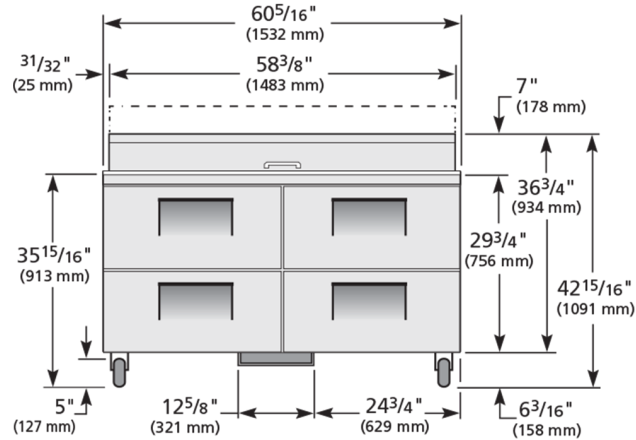
[0800 783 2049](tel:08007832049)  
[+41 61 563 07 05](tel:+41615630705)  
[+61 2 9619 9999](tel:+61296199999)

[TFIUK@truemfg.com](mailto:TFIUK@truemfg.com)  
[TrueCHCustomerService@truemfg.com](mailto:TrueCHCustomerService@truemfg.com)  
[TrueRefAus@truemfg.com](mailto:TrueRefAus@truemfg.com)



# TSSU-60-16D-4-HC

Prep Table, 16x 1/6 Top Pans, 4 Drawers



Specifications subject to change without notice.  
Chart dimensions rounded up to the next whole millimeter (inches rounded up to the 1/8")

UK & Ireland  
EMEA  
Australia

0800 783 2049  
+41 61 563 07 05  
+61 2 9619 9999

TFIUK@truemfg.com  
TrueCHCustomerService@truemfg.com  
TrueRefAus@truemfg.com

