

Upright Cabinets

TGN-2F-2S

 2/1 GN Upright Foodservice Freezer, 2 Full Solid Swing Doors



Dimensions	
External Width (mm)	1460
External Depth (mm)	858
External Height (mm)	2079
Exclusions	Depth does not include 46 mm for door handle or 13 mm for rear access panel.
Net Volume (Litres)	883
Gross Volume (Litres)	1440
Supplied Shelves	6
Shelf Size (L x D mm)	530 x 650
Internal Net Height (mm)	1350
Unpackaged Weight (kg)	189
Packaged Weight (kg)	200
Packaged Dimensions (W x D x H mm)	1601 x 991 x 2115
Supplied with	Heavy duty lock-in-place ø 64 mm castors (83 mm height)

Build	
Door Description	2 Solid Swing Doors
Exterior Construction	Stainless steel front, aluminium sides & rear
Interior Construction	Clear coated aluminium, stainless steel base
Air Intake Position	Front
Ventilation Position	Rear
Clearance Required	26 mm rear, zero sides
Cord Length (Meters)	2.74
Internal Lighting	LED
Standard w/ Locks	Standard

Technical	
Temperature Range	-23°C
Refrigerant	R290
Voltage/Frequency/Phase	220-240V/50Hz/1
Amps	3.5
Watts	805
Climate Class	5
Operating Statement	Heavy Duty: This appliance is intended for use in ambient temperatures up to 40°C.
Test Standard	EN 16825
EEC	C
Energy Efficiency Index	43.3
Defrost Type	Auto
Energy Consumption (kWh/24h)	6.9
Energy Consumption (kWh/Annum)	2519



Specifications subject to change without notice.
Chart dimensions rounded up to the next whole millimeter (inches rounded up to the 1/8")


UK & Ireland
EMEA
Australia

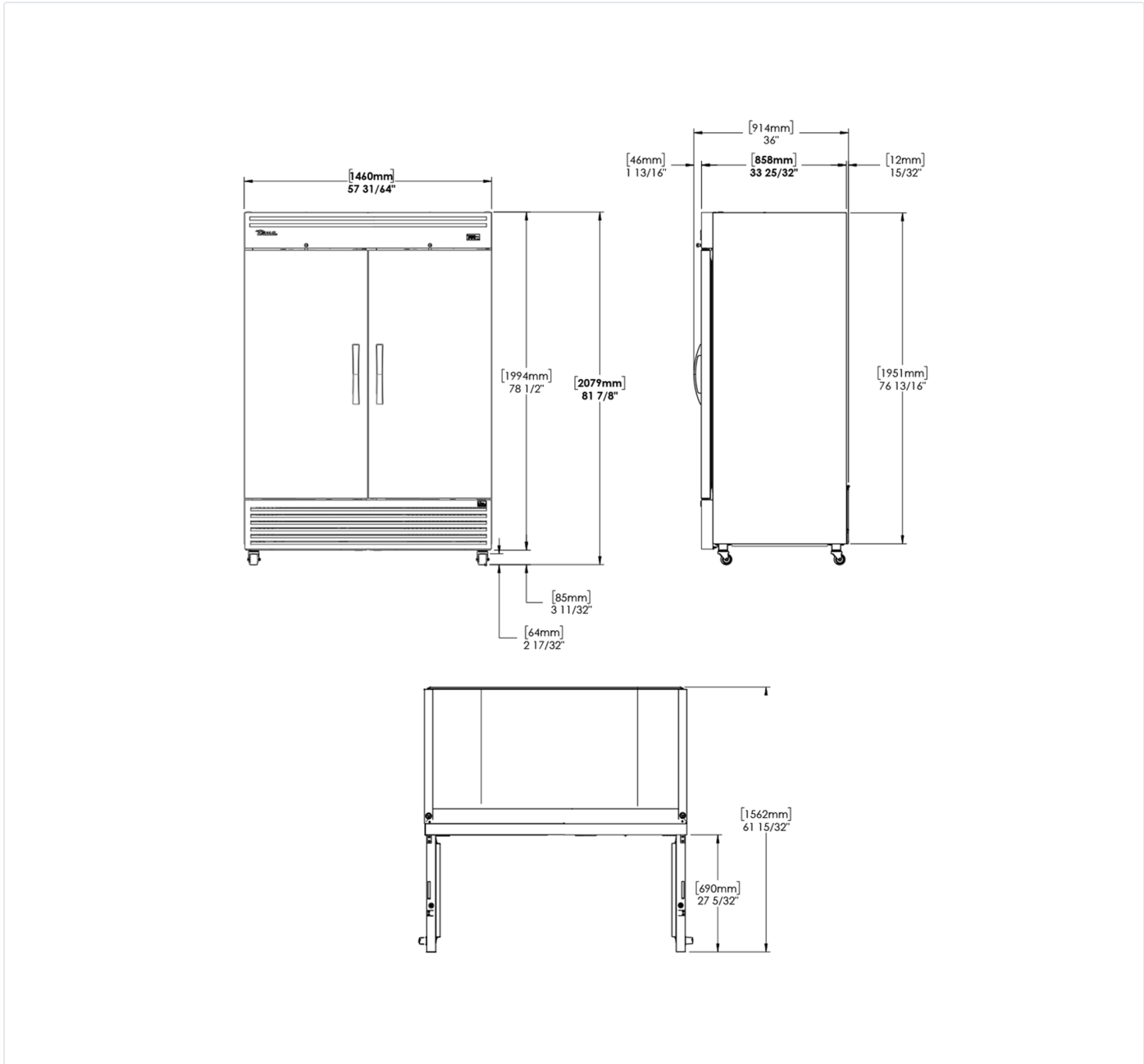
[0800 783 2049](tel:08007832049)
[+41 61 563 07 05](tel:+41615630705)
[+61 2 9619 9999](tel:+61296199999)

TFIUK@truemfg.com
TrueCHCustomerService@truemfg.com
TrueRefAus@truemfg.com



TGN-2F-2S

 2/1 GN Upright Foodservice Freezer, 2 Full Solid Swing Doors



Specifications subject to change without notice.
Chart dimensions rounded to the next whole millimeter (inches rounded up to the 1/8")

UK & Ireland
EMEA
Australia

0800 783 2049
[+41 61 563 07 05](tel:+41615630705)
[+61 2 9619 9999](tel:+61296199999)

TFIUK@truemfg.com
TrueCHCustomerService@truemfg.com
TrueRefAus@truemfg.com

