


Prep Tables

TFP-72-30M-D-6-HC

 Prep Table, 30x 1/6 Top Pans, 6 Drawers



Dimensions	
External Width (mm)	1832
External Depth (mm)	801
External Height (mm)	1181
Exclusions	Depth does not include 51 mm for cutting board overhang. Height with lid closed.
Gross Volume (Litres)	708
Top Pans Supplied (depth mm)	30x 1/6 GN (100)
Per Drawer Capacity (max depth mm)	1x 1/1 + 3x 1/9 GN (150)
Unpackaged Weight (kg)	280
Packaged Weight (kg)	291
Packaged Dimensions (W x D x H mm)	2032 x 864 x 1385
Cutting Board (L x D mm)	1832 x 204
Supplied with	Built-in recessed castors (19 mm clearance)

Build	
Drawer Count	6
Exterior Construction	Stainless steel front, top & hood, aluminium sides and rear
Interior Construction	Clear coated aluminium, stainless steel base
Air Intake Position	Front
Ventilation Position	Front
Clearance Required	Zero back and sides
Cord Length (Meters)	2.13
Standard w/ Locks	Not Standard (SPEC3 option)

Technical	
Temperature Range	0.5 : 5°C
Refrigerant	R290
Voltage/Frequency/Phase	220-240V/50Hz/1
Amps	3.6
Watts	828
Defrost Type	Auto



Specifications subject to change without notice.
 Chart dimensions rounded up to the next whole millimeter (inches rounded up to the 1/8")

UK & Ireland
 EMEA
 Australia

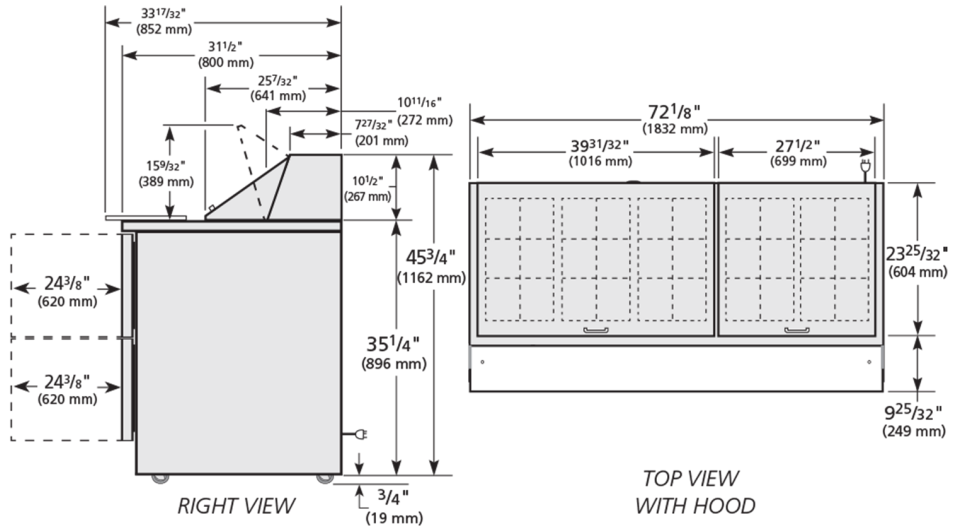
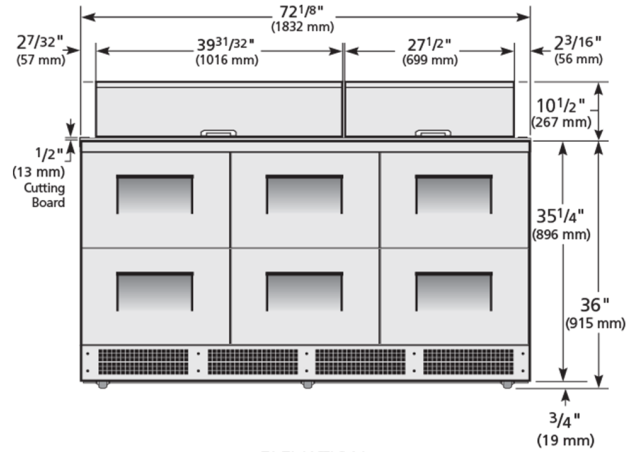
[0800 783 2049](tel:08007832049)
[+41 61 563 07 05](tel:+41615630705)
[+61 2 9619 9999](tel:+61296199999)

TFIUK@truemfg.com
TrueCHCustomerService@truemfg.com
TrueRefAus@truemfg.com



TFP-72-30M-D-6-HC

Prep Table, 30x 1/6 Top Pans, 6 Drawers



Specifications subject to change without notice.
 Chart dimensions rounded up to the next whole millimeter (inches rounded up to the 1/8")

UK & Ireland
 EMEA
 Australia

0800 783 2049
 +41 61 563 07 05
 +61 2 9619 9999

TFIUK@truemfg.com
 TrueCHCustomerService@truemfg.com
 TrueRefAus@truemfg.com

