


Bar Refrigeration

TDR48-RISZ1-L-B-SG-2

 Keg Chiller / Dispenser, Black Ext, 1 Solid Swing Door + 1 Glass Swing Door



Dimensions	
External Width (mm)	1219
External Depth (mm)	631
External Height (mm)	881
Exclusions	Depth does not include 35 mm for door handles. Height does not include 7 mm for leg levelers or 400 mm for draft tower.
Gross Volume (Litres)	440
Supplied Shelves	3
Shelf Size (L x D mm)	394 x 458
Internal Net Height (mm)	730
Unpackaged Weight (kg)	109
Packaged Weight (kg)	120
Packaged Dimensions (W x D x H mm)	1397 x 724 x 1067
Internal Capacity for Keg (L x D x H mm)	448 x 477 x 783
Supplied with	Levelling Screws. Optional castors sold separately.

Build	
Door Description	1 Solid Swing Door + 1 Glass Swing Door
Exterior Construction	Black powder coated steel front. Matching black coated Aluminium sides & rear. Stainless steel countertop.
Interior Construction	Stainless Steel
Air Intake Position	Front
Ventilation Position	Front
Clearance Required	Zero back and sides
Cord Length (Meters)	3.04
Internal Lighting	LED
Standard w/ Locks	Standard

Technical	
Temperature Range	0.5 : 3.3°C
Refrigerant	R290
Voltage/Frequency/Phase	220-240V/50-60Hz/1
Amps	1.3
Watts	299
Defrost Type	Auto



Specifications subject to change without notice.
Chart dimensions rounded up to the next whole millimeter (inches rounded up to the 1/8")


UK & Ireland
EMEA
Australia

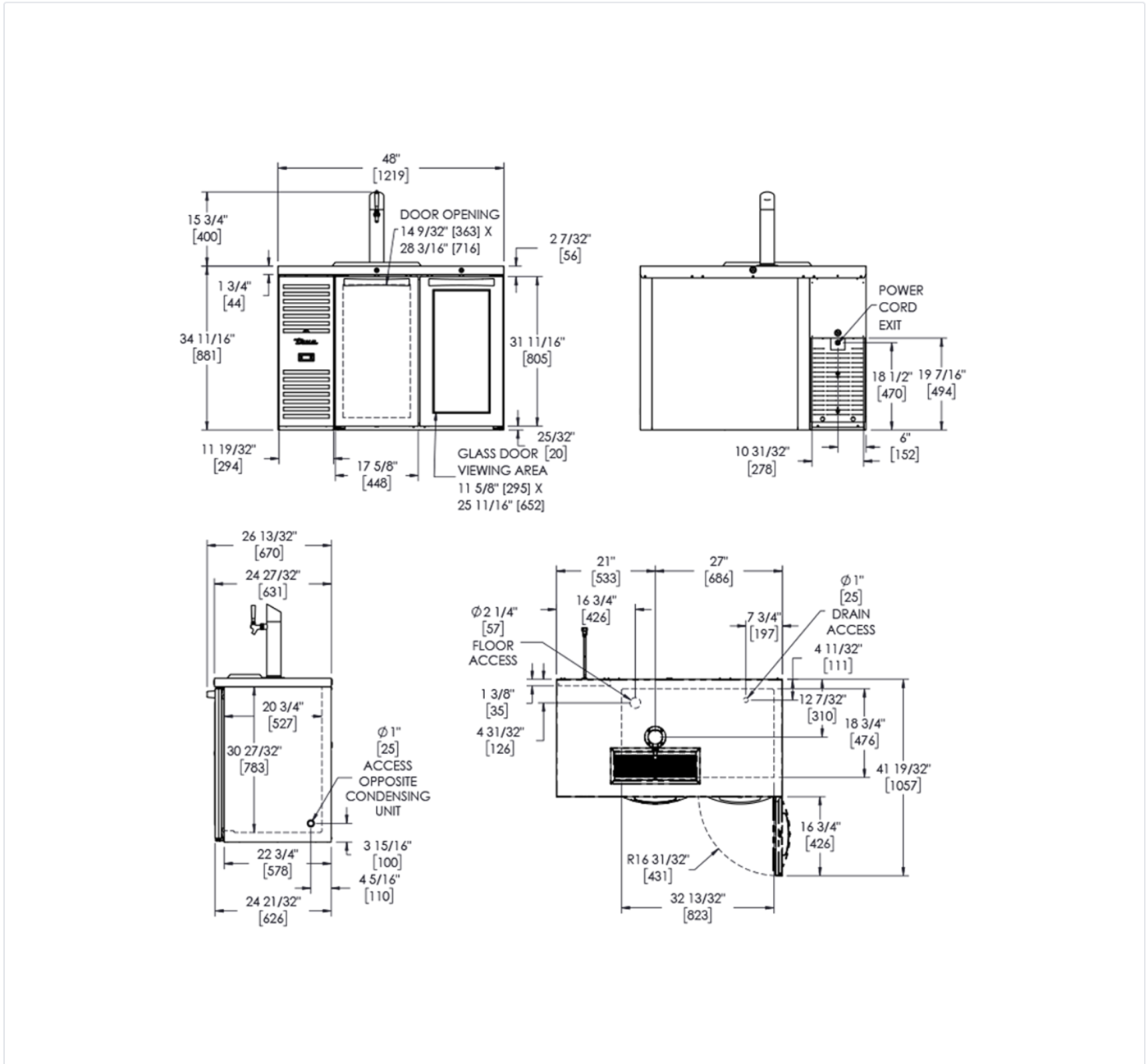
[0800 783 2049](tel:08007832049)
[+41 61 563 07 05](tel:+41615630705)
[+61 2 9619 9999](tel:+61296199999)

TFIUK@truemfg.com
TrueCHCustomerService@truemfg.com
TrueRefAus@truemfg.com



TDR48-RISZ1-L-B-SG-2

 Keg Chiller / Dispenser, Black Ext, 1 Solid Swing Door + 1 Glass Swing Door



Specifications subject to change without notice.
Chart dimensions rounded up to the next whole millimeter (inches rounded up to the 1/8")

UK & Ireland
EMEA
Australia

0800 783 2049
+41 61 563 07 05
+61 2 9619 9999

TFIUK@truemfg.com
TrueCHCustomerService@truemfg.com
TrueRefAus@truemfg.com

