


Bar Refrigeration

TBR72-RISZ1-L-S-111-2

 Bar Refrigerator, Stainless Steel Ext, 3 Glass Slide Doors



Dimensions	
External Width (mm)	1829
External Depth (mm)	631
External Height (mm)	881
Exclusions	Depth does not include 16 mm for door handle. Height does not include 7 mm for leg levelers.
Gross Volume (Litres)	660
Supplied Shelves	9
Shelf Size (L x D mm)	437 x 458
Internal Net Height (mm)	730
Unpackaged Weight (kg)	194
Packaged Weight (kg)	205
Packaged Dimensions (W x D x H mm)	2007 x 724 x 1067
Supplied with	Levelling Screws. Optional castors sold seperately.

Build	
Door Description	3 Full Glass Slide Doors
Exterior Construction	Stainless Steel front and countertop. Matching Aluminium sides & rear.
Interior Construction	Stainless Steel
Air Intake Position	Front
Ventilation Position	Front
Clearance Required	Zero back and sides
Cord Length (Meters)	3.04
Internal Lighting	TruLumina®
Standard w/ Locks	Not Standard. Options available.

Technical	
Temperature Range	0.5 : 3.3°C
Refrigerant	R290
Voltage/Frequency/Phase	220-240V/50-60Hz/1
Amps	1.3
Watts	299
Defrost Type	Auto



Specifications subject to change without notice.
Chart dimensions rounded up to the next whole millimeter (inches rounded up to the 1/8")

UK & Ireland
EMEA
Australia

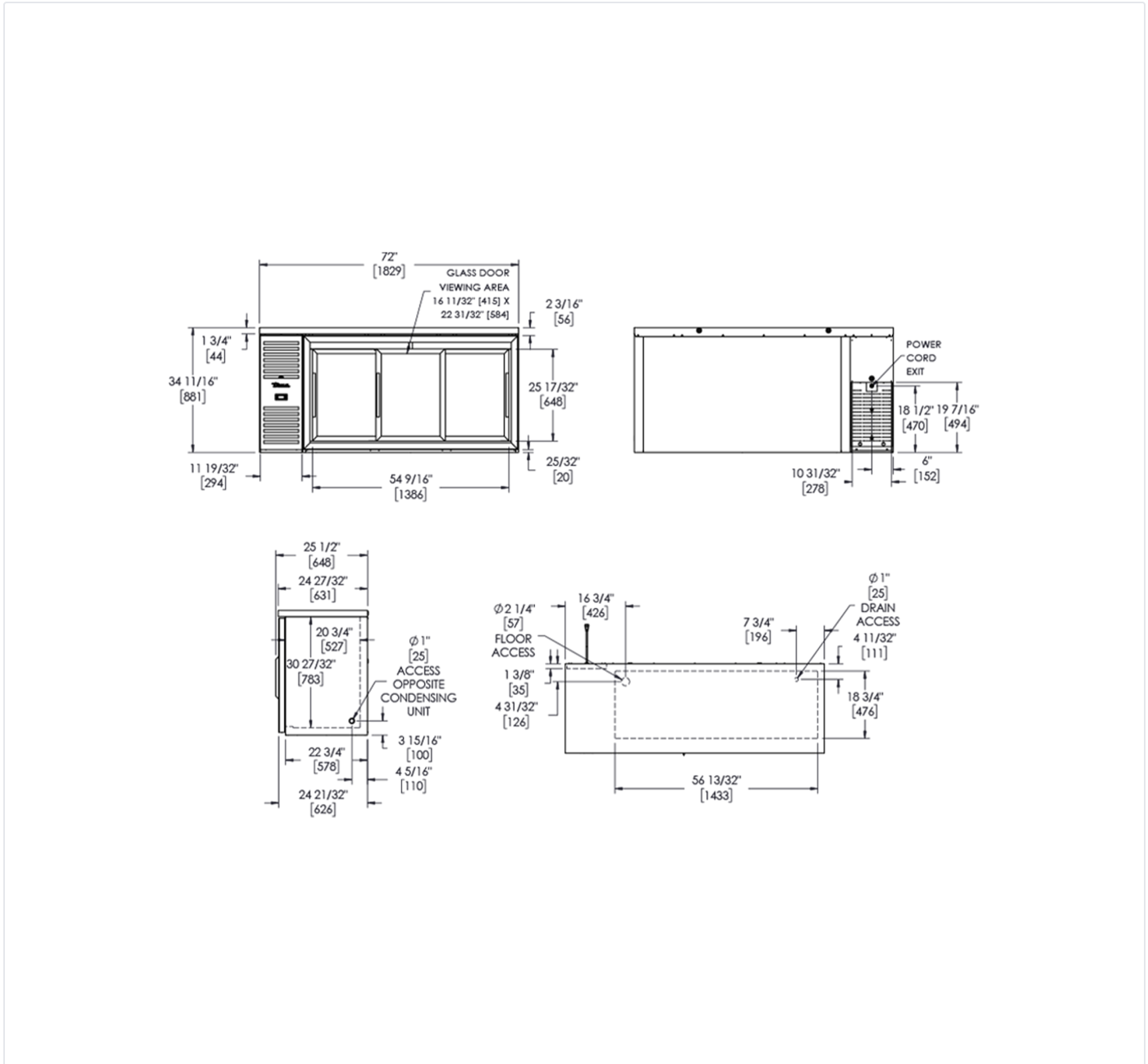
0800 783 2049
[+41 61 563 07 05](tel:+61615630705)
[+61 2 9619 9999](tel:+61296199999)

TFIUK@truemfg.com
TrueCHCustomerService@truemfg.com
TrueRefAus@truemfg.com



TBR72-RISZ1-L-S-111-2

Bar Refrigerator, Stainless Steel Ext, 3 Glass Slide Doors



Specifications subject to change without notice.
Chart dimensions rounded to the next whole millimeter (inches rounded up to the 1/8")

UK & Ireland
EMEA
Australia

0800 783 2049
+41 61 563 07 05
+61 2 9619 9999

TFIUK@truemfg.com
TrueCHCustomerService@truemfg.com
TrueRefAus@truemfg.com

